



COLLETON COUNTY
SOUTH CAROLINA
Purchasing Department
113 Mable T. Willis Blvd.
Walterboro, SC 29488
843.782.0504

BID: CPST – 6.01
MAGISTRATES BUILDING RENOVATION

Due: Tuesday, September 22, 2020 at 11:00am

EMAIL YOUR RESPONSE TO:

Kaye B. Syfrett, Procurement Manager at ksyfrett@colletoncounty.org

TABLE OF CONTENTS

(1 OF 2)

BIDDING AND CONTRACT REQUIREMENTS

Advertisement for Bid..... 3

Information for Bidders..... 4

Contract..... 18

Reference Forms..... 24

Bid Forms..... 49

END OF SECTION

Advertisement for Bid

Owner: Colleton County, 109 Benson Street, Walterboro, South Carolina

Sealed Bid: **CPST-6.01** Magistrates Building Renovation (Jesse Padgett Building), 40 Klein Street Walterboro SC 29488 will be submitted **via email to: Kaye B. Syfrett, Procurement Manager at ksyfrett@colletoncounty.org** until **11:00am, Tuesday, September 22, 2020**. The work to be completed as a part of this project consists of providing all required materials, equipment and labor necessary to complete the renovation of the facility located at, 40 Klein Street, Walterboro, South Carolina, with the following approximate quantities:

Renovation of the facility located at 40 Klein Street, Walterboro, SC 29488. Construction consisting of a restroom upgrade, new LED lighting, new hallway & door and upgraded finishes.

Bidders should note that this work will need to conform to dates that court is not in session and some work will need to be completed after normal daytime working hours or on the weekend.

The Instructions to Bidders, bid packet, Contract, Plans, Specifications, and other contract documents may be examined at the following location:

Colleton County website: <http://www.colletoncounty.org/bids-and-proposal-requests>

Bidders must deposit security with all bids. Security shall be in the form of a certified check or bid bond made payable to Colleton County, and shall be for an amount equal to not less than five percent (5%) of the amount of the bid. Provisions of the security shall be as described in the Information for Bidders. No bid will be considered unless the bidder is legally qualified under the provisions of the South Carolina Sections 40-11-10 through 40-11-428).

NOTICE TO BIDDERS:

Each bidder shall fully acquaint himself with conditions of this Bid. The failure or omission of a bidder to acquaint him/herself with existing conditions shall in no way relieve him/herself of any obligation with respect to this Bid or to the Contract.

BIDS WILL NOT BE CONSIDERED FROM ANY VENDOR THAT OWES DELINQUENT PROPERTY TAXES TO THE COUNTY OF COLLETON.

NOTICE TO BIDDERS: All amendments to and interpretations of this solicitation shall be in writing and issued by the Colleton County Purchasing office. Colleton County shall not be legally bound by any amendment or interpretation that is not in writing. Award of the project is contingent on funding approval by Colleton County Council.

The Owner reserves the right to waive any informality or to reject any or all bids.

Architect
Glick Boehm Architecture
493 King Street
Charleston SC 29403
Shawn Mellin, AIA, LEED AP

Owner
Colleton County
109 Benson Street
Walterboro, SC 29488

Information for Bidders

ARTICLE 1 - DEFINED TERMS

- 1.01 Terms used in these Instructions to Bidders have the meanings indicated in the 001, General Conditions. Additional terms used in these Instructions to Bidders have the meanings indicated below:
- A. **Issuing Office** - The office from which the Bidding Documents are to be issued and where the bidding procedures are to be administered.
 - B. **Architect, Engineer, Owner** - The person or firm in charge of the design of the project. In some instances, the owner will self-perform, acting as the Architect.
 - C. **Construction Coordinator** - The person or company acting on behalf of the owner and in some instances, the owner will self-perform, acting as the Construction Coordinator.
 - D. **Owner** - Colleton County
 - E. **Official Time** - The time as noted on the Atomic Clock located in the Purchasing office lobby. All times are Eastern Standard Time.
 - F. **Substantial Completion** - The point of construction whereas the owner can fully occupy the facility, perform all aspects of the intended use of the facility and not be inhibited with final punch list items. Certificate of occupancy does not constitute substantial completion. The owner must agree that the project is substantially complete.

ARTICLE 2 - COPIES OF BIDDING DOCUMENTS

- 2.01 Complete sets of the Bidding Documents can be found at <http://www.colletoncounty.org/bids-and-proposal-requests>.
- 2.02 Complete sets of Bidding Documents shall be used in preparing Bids; neither Owner nor Engineer or Architect assumes any responsibility for errors or misinterpretations resulting from the use of incomplete sets of Bidding Documents.
- 2.03 Owner and Engineer or Architect, in making copies of Bidding Documents available on the above terms, do so only for the purpose of obtaining Bids for the Work and do not confer a license or grant for any other use.

ARTICLE 3 - QUALIFICATIONS OF BIDDERS

- 3.01 Bidders must be licensed as a General Contractor in the State of South Carolina and will hold all Trade Contracts and the Building Permit on the project.
- 3.02 To demonstrate Bidder's qualifications to perform the Work, within five (5) days of Owner's request, Bidder shall submit written evidence such as financial data; previous experience, present commitments.

ARTICLE 4 - EXAMINATION OF BIDDING DOCUMENTS, OTHER RELATED DATA, AND SITE

- 4.00 **Non-Mandatory Pre-bid Inspection** - Tours will be conducted on **Thursday, September 10, 2020 at 9:00am and lasting until 10:00am**. Sub-contractors are encouraged to inspect the site. No other examination of the facility will be provided.
- 4.01 Subsurface and Physical Conditions
- A. The General Conditions identify:

No reports of explorations and tests of conditions at or contiguous to the Site have been completed by Owner, Engineer or Architect.

- B. Copies of reports and drawings referenced in Paragraph 4.01.A are included herein. Those reports and drawings are not part of the Contract Documents, but the “technical data” contained therein upon which Bidder is entitled to rely as provided in Paragraph 4.02 of the General Conditions has been identified and established. Bidder is responsible for any interpretation or conclusion Bidder draws from any “technical data” or any other data, interpretations, opinions or information contained in such reports or shown or indicated in such drawings.

4.02 Underground Facilities

- A. Information and data shown or indicated in the Bidding Documents with respect to existing Underground Facilities at or contiguous to the Site is based upon information and data furnished to Owner and Engineer or Architect by owners of such Underground Facilities, including Owner, or others.

4.03 Hazardous Environmental Condition

- A. The General Conditions identify those reports and drawings relating to a Hazardous Environmental Condition identified at the Site, if any, that Engineer, or Architect has used in preparing the Bidding Documents.
- B. Copies of reports and drawings referenced in Paragraph 4.03.A are included herein. Those reports and drawings are not part of the Contract Documents, but the “technical data” contained therein upon which Bidder is entitled to rely as provided in Paragraph 4.06 of the General Conditions has been identified and established. Bidder is responsible for any interpretation or conclusion Bidder draws from any “technical data” or any other data, interpretations, opinions, or information contained in such reports or shown or indicated in such drawings.

4.04 Provisions concerning responsibilities for the adequacy of data furnished to prospective Bidders with respect to subsurface conditions, other physical conditions and Underground Facilities, and possible changes in the Bidding Documents due to differing or unanticipated conditions appear in Paragraphs 4.02, 4.03, and 4.04 of the General Conditions. Provisions concerning responsibilities for the adequacy of data furnished to prospective Bidders with respect to a Hazardous Environmental Condition at the Site, if any, and possible changes in the Contract Documents due to any Hazardous Environmental Condition uncovered or revealed at the Site which was not shown or indicated in the Drawings or Specifications or identified in the Contract Documents to be within the scope of the Work appear in Paragraph 4.06 of the General Conditions.

4.05 The Owner will provide Bidder access to the Site to conduct examinations, investigations, explorations, tests, and studies as Bidder deems necessary for submission of a Bid. Bidder shall fill all holes and clean up and restore the Site to its former condition upon completion of such explorations, investigations, tests, and studies. Bidder shall comply with all applicable Laws and Regulations relative to excavation and utility locates. Owner shall be notified that the Bidder request to explore the site in further detail to include any site digging.

4.06 Reference is made to Article 7 of the General Conditions for the identification of the general nature of other work that is to be performed at the Site by Owner or others (such as utilities and other prime contractors) that relates to the Work contemplated by these Bidding Documents. On request, Owner will provide to each Bidder for examination access to or copies of Contract Documents (other than portions thereof related to price) for such other work.

4.07 It is the responsibility of each Bidder before submitting a Bid to:

- a. Examine and carefully study the Bidding Documents, the other related data identified in the Bidding Documents, and any Addenda.

- b. Visit the Site and become familiar with and satisfy Bidder as to the general, local, and Site conditions that may affect cost, progress, and performance of the Work.
- c. Become familiar with and satisfy Bidder as to all federal, state, and local Laws and Regulations that may affect cost, progress, and performance of the Work.
- d. Carefully study all: (1) reports of explorations and tests of subsurface conditions at or contiguous to the Site and all drawings of physical conditions in or relating to existing surface or subsurface structures at or contiguous to the Site (except Underground Facilities), which have been identified in Paragraph 4.02 of the General Conditions, and (2) reports and drawings of Hazardous Environmental Conditions at the Site which have been identified in Paragraph 4.06 of the General Conditions.
- e. Obtain and carefully study (or accept consequences of not doing so) all additional or supplementary examinations, investigations, explorations, tests, studies, and data concerning conditions (surface, subsurface, and Underground Facilities) at or contiguous to the Site, which may affect cost, progress, or performance of the Work or which relate to any aspect of the means, methods, techniques, sequences, and procedures of construction to be employed by Bidder, including applying any specific means, methods, techniques, sequences, and procedures of construction expressly required by the Bidding Documents, and safety precautions and programs incident thereto.
- f. Agree at the time of submitting its Bid that no further examinations, investigations, explorations, tests, studies, or data are necessary for the determination of its Bid for performance of the Work at the price(s) bid and within the times and in accordance with the other terms and conditions of the Bidding Documents.
- g. Become aware of the general nature of the work to be performed by Owner and others at the Site that relates to the Work as indicated in the Bidding Documents.
- h. Correlate the information known to Bidder, information and observations obtained from visits to the Site, reports and drawings identified in the Bidding Documents, and all additional examinations, investigations, explorations, tests, studies, and data with the Bidding Documents.
- i. Promptly give Owner written notice of all conflicts, errors, ambiguities, or discrepancies that Bidder discovers in the Bidding Documents and confirm that the written resolution thereof by Owner is acceptable to Bidder.
- j. Determine that the Bidding Documents are generally sufficient to indicate and convey understanding of all terms and conditions for the performance of the Work.
- k. No plea of ignorance of conditions that exist or may hereafter exist on the site of the work, or difficulties that may be encountered in the execution of the work, as a result of failure to make necessary investigations and examinations, will be accepted as an excuse for any failure or omission on the part of the Contractor to fulfill in every detail all the requirements of the contract documents and to complete the work for the consideration set forth therein, or as basis for any claim whatsoever.
- l. Apparent omission of a detailed description concerning any point, shall be regarded as meaning the best commercial practice is to prevail and that only material and workmanship of the finest quality is to be used.
- m. Bidders may refer to Sections 2-67, 2-73, and 2-74 of Ordinance #2008-09, also known as the Colleton County, South Carolina Purchasing Policy to determine their remedies concerning this competitive process. The failure to be awarded a bid shall not be valid grounds for protest.
- n. The Bidder further agrees that the performance time specified is a reasonable time, having carefully considered the nature and scope of the project as aforesaid.

- 4.08 The submission of a Bid will constitute an incontrovertible representation by Bidder that Bidder has complied with every requirement of this Article 4, that without exception the Bid is premised upon performing and furnishing the Work required by the Bidding Documents and applying any specific means, methods, techniques, sequences, and procedures of construction that may be shown or indicated or expressly required by the Bidding Documents, that Bidder has given Owner written notice of all conflicts, errors, ambiguities, and discrepancies that Bidder has discovered in the Bidding Documents and the written resolutions thereof by Owner are acceptable to Bidder, and that the Bidding Documents are generally sufficient to indicate and convey understanding of all terms and conditions for performing and furnishing the Work.

ARTICLE 5 - SITE AND OTHER AREAS

- 5.01 The Site is identified in the Bidding Documents. Easements for permanent structures or permanent changes in existing facilities are to be obtained and paid for by Owner unless otherwise provided in the Bidding Documents. All additional land and access thereto required for temporary construction facilities, construction equipment, or storage of materials and equipment to be incorporated in the Work are to be obtained and paid for by Contractor.

ARTICLE 6 - INTERPRETATIONS AND ADDENDA

- 6.01 All questions about the meaning or intent of the Bidding Documents are to be submitted to Owner in writing and submitted by email to; jstieglitz@colletoncounty.org. Interpretations or clarifications considered necessary by Owner in response to such questions will be issued by Addenda. Questions received less than seven (7) days prior to the date and time for opening of Bids will not be answered. Only questions answered by Addenda will be binding. Oral and other interpretations or clarifications will be without legal effect.
- 6.02 Addenda may be issued to clarify, correct, or change the Bidding Documents as deemed advisable by the Owner. Addenda will be posted on the Colleton County website. It is the responsibility of the bidder to monitor this website for addendums.
- 6.03 Division 000 and Division 001 shall have authority over all other documents contained within the project manual. Where duplication of titles, articles, standards, requirements and such are found, division 000 and Division 001 govern.

ARTICLE 7 - BID SECURITY

- 7.01 A Bid must be accompanied by Bid security made payable to Colleton County in an amount of five percent (5%) of Bidder's maximum Bid price and in the form of a certified check, bank money order, or a Bid Bond (on the form attached) issued by a surety meeting the requirements of Paragraphs 5.01 and 5.02 of the General Conditions.
- 7.02 The Bid security of the Successful Bidder will be retained until such Bidder has executed the Contract Documents, furnished the required contract security and met the other conditions of the Notice of Award. If the Successful Bidder fails to execute and deliver the Contract Documents and furnish the required contract security within ten (10) days after the Notice of Award, Owner may annul the Notice of Award and the Bid security of that Bidder will be forfeited. The Bid security of other Bidders Whom Owner believes to have a reasonable chance of receiving the award may be retained by Owner until the earlier of seven (7) days after the Effective Date of the Agreement or sixty (60) days after the Bid opening. Bidders not receiving a contract for will be issued a copy of the Notice of Award to send to their issuing Surety so that the Bid Bond can be canceled. Bidders Bid Bond documents will not be returned. All Certified Checks will be returned to the Bidders.

ARTICLE 8 - CONTRACT TIMES

- 8.01 Renovation of the facility located at 40 Klein Street, Walterboro, SC 29488. Construction consisting of a restroom upgrade, new LED lighting, new hallway & door and upgraded finishes to be completed within Ninety (90) calendar days after the Notice to Proceed has been issued.

ARTICLE 9 – LIQUIDATED DAMAGES

9.01 Document Execution

- A. The successful Bidder, upon failure or refusal to execute and deliver the contract and bonds within ten (10) days after they have received the notice of the acceptance of their bid, shall forfeit to the Owner, as liquidated damages, the security deposited with the bid.

9.02 Project Execution

- A. Bidder must agree to commence work on or before a date to be specified in a written “Notice to Proceed” by the Owner and to fully complete the project within the dates specified in the Bid Form, Article 6; Paragraph 6.01. Bidder must agree also to pay as liquidated damages the sum as indicated in the Bid Form, Article 6; Paragraph 6.02 for each consecutive calendar day thereafter as hereinafter provided in the General Conditions.

ARTICLE 10 - SUBSTITUTE AND “OR-EQUAL” ITEMS

- 10.01 The Contract, if awarded, will be on the basis of materials and equipment specified or described in the Bidding Documents. Whenever it is specified or described in the Bidding Documents that a substitute or “or-equal” item of material or equipment may be furnished or used by Contractor if acceptable to the Construction Coordinator, application for such acceptance will not be considered by the Owner until after the Effective Date of the Agreement.

- (a) The use of a “**Brand Name Only**” specification is for the purpose of describing the sole item that will satisfy the county’s requirements. Bids offering alternate products will be declared non-responsive.
- (b) The use of a “**Brand Name or Equal**” specification is for the purpose of describing the standard of quality, performance and characteristics desired and is not intended to limit or restrict competition. An item shall be considered to be substantially equivalent, or “equal” to the specified brand in the opinion of the Purchasing Director, the County can reasonably anticipate sufficiently similar quality, capacity, durability, performance, utility and productivity as provided by the specified brand.

ARTICLE 11 - SUBCONTRACTORS, SUPPLIERS, AND OTHERS

- 11.01 The General Conditions require the identity of certain Subcontractors, Suppliers, individuals, or entities to be submitted to Owner with the bid packet. The bidder shall submit to Owner a list of all such Subcontractors, Suppliers, individuals, or entities proposed for those portions of the Work for which such identification is required. Such list shall be accompanied by an experience statement with pertinent information regarding similar projects and other evidence of qualification for each such Subcontractor, Supplier, individual, or entity if requested by Owner. If Owner or Construction Coordinator, after due investigation, has reasonable objection to any proposed Subcontractor, Supplier, individual, or entity, Owner may, before the Notice of Award is given, request apparent Successful Bidder to submit a substitute, in which case apparent Successful Bidder shall submit an acceptable substitute, Bidder’s Bid price will be increased (or decreased) by the difference in cost

occasioned by such substitution, and Owner may consider such price adjustment in evaluating Bids and making the Contract award.

- 11.02 If apparent Successful Bidder declines to make any such substitution, Owner may award the Contract to the next lowest Bidder that proposes to use acceptable Subcontractors, Suppliers, individuals, or entities. Declining to make requested substitutions will not constitute grounds for forfeiture of the Bid security of any Bidder. Any Subcontractor, Supplier, individual, or entity so listed and against which Owner or Construction Coordinator makes no written objection prior to the giving of the Notice of Award will be deemed acceptable to Owner and Construction Coordinator subject to revocation of such acceptance after the Effective Date of the Agreement as provided in Paragraph 6.06 of the General Conditions.
- 11.03 Contractor shall not be required to employ any Subcontractor, Supplier, individual, or entity against whom Contractor has reasonable objection.
- 11.04 Each bidder shall fully acquaint himself with conditions of this Bid. The failure or omission of a bidder to acquaint himself with existing conditions shall in no way relieve him of any obligation with respect to this Bid or to the Contract.
- 11.05 Failure of a sub-contractor to fully acquaint himself with the conditions of this bid when working on behalf of the General Contractor or contract holder shall in no way relieve himself of any obligation with respect to this Bid or to the Contract.

ARTICLE 12 - PREPARATION OF BID

- 12.01 Should a bidder need any reasonable accommodations for any type of disability in order to participate in this procurement, you are asked to contact the Colleton County Purchasing office.
- 12.02 The Bid Form is included with the Bidding Documents located on the Owners Web Site.
- 12.03 All blanks on the Bid Form shall be completed by printing in ink or by typewriter and the Bid signed in ink. Erasures or alterations shall be initialed in ink by the person signing the Bid Form. When required a Bid price shall be indicated for each unit price item listed therein, or the words "No Bid," "No Charge," or "Not Applicable" entered. When a unit price is not required, the bid price shall be submitted in words and numbers as indicated on the bid form.
- 12.04 A Bid by an individual shall show the Bidder's name and official address.
- 12.05 A Bid by a joint venture shall be executed by each joint venture in the manner indicated on the Bid Form. The official address of the joint venture shall be shown below the signature.
- 12.06 All names shall be typed or printed in ink below the signatures.
- 12.07 The Bid shall contain an acknowledgment of receipt of all Addenda, the numbers of which shall be filled in on the Bid Form.
- 12.08 The address and telephone number for communications regarding the Bid shall be shown.
- 12.09 The Bid shall contain evidence of Bidder's authority and qualification to do business in the state where the Project is located or covenant to obtain such qualification prior to award of the Contract. Bidder's state contractor license number, if any, shall also be shown on the Bid Form.
- 12.10 Any reports, studies, photographs, negatives or other documents prepared by vendor in the performance of its obligations shall be the exclusive property of the procurer and all such material shall be remitted to the procurer by the vendor upon completion, termination or cancellation of this order. Vendor shall not use, willingly allow or cause to have such material used for any purpose

other than performance of its obligations under this order without the prior written consent of the procurer.

- 12.11 The contractor will take affirmative action in complying with all Federal and State requirements concerning fair employment and employment of the handicapped, and concerning the treatment of all employees, without regard or discrimination by reason of age, race, color, religion, sex, national origin or physical handicap. The following are incorporated herein by reference: 41 C.F.R. 60-1.4, 60-250.4 and 60-741.4.
- 12.12 All construction contracts over \$2,000.00 must include a provision for compliance with the Copeland "Anti-Kickback" Act (18 U.S.C. 874) as supplemented in Department of Labor regulations (29 CFR Part 3). This act provides that each Contractor shall be prohibited from inducing, by any means, persons employed in the construction, completion, or repaid of public work to give up any part of their compensation.
- 12.13 The contractor certifies that the vendor(s) will provide a "drug-free workplace" as that term is defined in Section 44-107-30 of the Code of Laws of South Carolina, 1976, as amended, by the complying with the requirements set forth in title 44, Chapter 107
- 12.14 The federally-assisted construction contractor certifies that he will not maintain or provide, for his employees, segregated facilities at any of his establishments and that he will not permit his employees to perform their services at any location under his control where segregated facilities are maintained. The federally assisted construction contractor agrees that a breach of this certification is a violation of the Equal Opportunity Clause in this Contract. As used in this certification, the term "segregated facilities" means any waiting rooms, work areas, restrooms, and washrooms, restaurants and other eating areas, time clocks, locker rooms and other storage or dressing areas, parking lots, drinking fountains, recreation or entertainment areas, transportation, and housing facilities provided for employees which are segregated on the basis of race, color, religion, or national origin because of habit, local custom, or any other reason. The federally assisted construction contractor agrees that (except where he has obtained identical certifications from proposed subcontractors for specific time periods) he will obtain identical certifications from proposed subcontractors prior to the award of subcontracts exceeding \$10,000 which are not exempt from the provisions of the Equal Opportunity Clause and that he will retain such certifications in his files.
- 12.15 By signing this bid or proposal, Contractor certifies that it will (a) comply with the applicable requirements of Title 8, Chapter 14, and (b) include in their contracts with the sub-subcontractor's language requiring the sub-subcontractors to comply with the applicable requirements of Title 8, Chapter 14. (An overview is available at www.procurement.sc.gov)
- 12.16 Bidders must clearly mark as "confidential" each part of their bid which they consider to be proprietary information that could be exempt from disclosure under section 30-4-40, Code of Laws of South Carolina 1976, as amended (Freedom of Information Act). If any part is designated as confidential, there must be attached to that part an explanation of how this information fits within one or more categories listed in section 30-4-40. The County reserves the right to determine whether this information should be exempt from disclosure and no legal action may be brought against the County or its agents for its determination in this regard.
- 12.17 Nothing herein is intended to exclude any responsible vendor, his product or service or in any way restrain or restrict competition. On the contrary, all responsible vendors are encouraged to bid and their bids are solicited.
- 12.18 The successful Bidder must be responsible for obtaining all necessary city, county, and state permits/licenses and must comply with all State and local codes and ordinances. Copies of such permits/licenses shall be made available to Colleton County upon request. Work within the Walterboro City Limits may require a City Business License.

- 12.19 This Agreement shall be governed by and construed in accordance with the laws of the State of South Carolina, U.S.A.
- 12.20 All claims, disputes and other matters in question between parties arising out of, or relating to, this Agreement, or the breach thereof, shall be decided in the Circuit Court of the Fourteenth Judicial Circuit in Colleton County, South Carolina. By executing this Agreement, all parties specifically consent to venue and jurisdiction in Colleton County, South Carolina and waive any right to contest jurisdiction and venue in said Court.
- 12.21 Colleton County reserves the right to reject all or any part of any bid, waive informalities and award the contract to the lowest responsive and responsible bidder to best serve the interest of Colleton County.
- 12.22 By submitting a bid, the Bidder certifies to the best of its knowledge and belief, that it and its principals, sub-contractors and assigns are not presently debarred, suspended, proposed for debarment, declared ineligible, or voluntarily excluded from covered transactions by any Federal, State or local department or agency. A copy of the County's debarment procedure in accordance with Section 2-68 of Ordinance #2008-09, also known as the Colleton County, South Carolina Purchasing Policy is available upon request.
- 12.23 Federal guidelines require grant recipients to obtain sufficient assurance that bidders are not suspended or debarred from participating in federal programs when contracts exceed \$25,000. By signing the bid submittal form you verify that no party to this agreement is excluded from receiving Federal contracts, certain subcontracts, and certain Federal financial and nonfinancial assistance and benefits, pursuant to the provisions of 31 U.S.C. 6101, note, E.O. 12549, E.O. 12689, 48 CFR 9.404, and each agency's codification of the Common Rule for Non-procurement suspension and debarment. **[See <https://www.epls.gov/> for additional information.]**

ARTICLE 13 - BASIS OF BID; COMPARISON OF BIDS

13.01 Base Bid and Unit Price Schedule

- A. Bidders shall submit a base bid for the project, as listed in the Specifications, General Conditions, Drawings and any Addendums. Failure for the Contractor or Subcontractor(s) to properly perform takeoffs for the project does not relieve the bidder of their obligation to provide a complete, finished product, for the submitted base bid amount. The base bid shall include any owner listed Allowances or contingencies.
- B. Bidders shall submit a Base Bid as a lump sum.
- C. Within 48 hours of the apparent lowest responsive bidder being notified by Colleton County, the bidder shall submit to Colleton County for **review and approval**, the attached unit price schedule for each item of work listed. All quantity take offs shall be listed in the form as requested. All requested unit pricing shall have a figure entered into the form. Lumping of unit prices and or divisions will not be allowed. Unit prices shall be totaled to match the lump sum bid. Failure for the bidder to provide this information in the allotted time will result in the bidder being disqualified and shall forfeit their Bid Bond.
- D. The total of all unit prices will be the sum of the products of the quantity of each item and the corresponding unit price.
- E. Discrepancies between the indicated sum of any column of figures and the correct sum thereof will be resolved in favor of the correct sum. Discrepancies between words and figures will be resolved in favor of the words.

- 13.02 The Bid price shall include such amounts as the Bidder deems proper for overhead and profit and any account of cash allowances, if any, named in the Contract Documents as provided in Paragraph 11.02 of the General Conditions.
- 13.03 Bid prices will be compared after adjusting for differences in the time designated by Bidders for Substantial Completion. The adjusting amount will be determined at the rate set forth in the Contract Documents for liquidated damages for failing to achieve Substantial Completion for each day before or after the desired date appearing in Article 9.
- 13.04 The contents of the successful IFB/RFP are included as if fully reproduced herein. Therefore, the selected contractor must be prepared to be bound by his/her proposal as submitted.
- 13.05 Whereas the Colleton County Purchasing Ordinance Chapter 3.08 has provisions for Local Vendor preference. Bidders are encouraged to review section 3.08.185 of Chapter 3.08 for their rights under the Local Vendor Preference as this preference could be used in determining the lowest responsible bidder.

ARTICLE 14 - SUBMITTAL OF BID

- 14.01 **A Bidder shall submit one (1) original copy of the "Bid Forms". The Original Bid Forms shall contain the Bid security.**
- 14.02 A Bid must be submitted via email no later than the date and the official time prescribed in the Advertisement or Invitation to Bid and shall be accompanied by the Bid security and other required documents. A Bid must be submitted via email to:

Kaye B. Syfrett, Procurement Manager at ksyfrett@colletoncounty.org
- 14.03 In the case of Inclement Weather/Closure of Colleton County offices; If the Colleton County office is closed for business at the time scheduled for bid opening, for whatever reason, emailed bids will be accepted on the next scheduled business day, at the originally scheduled official time.
- 14.04 The Bid shall be submitted on the Bid Form provided; no other form is acceptable.
- 14.05 The successful Bidder will be required to provide verified unit breakdown of costs of all services and work in a manner acceptable to the Owner.
- 14.06 All blanks on the Bid Forms shall be filled in, either typed or printed in ink. The person signing the bid shall initial all corrections or erasures.
- 14.07 Where so indicated on the Bid Form, the Bid Sum shall be expressed in both words and figures; in case of a discrepancy between the two, the Sums expressed in words shall govern.
- 14.08 List unit price on by bidder take offs - extend and show total. In case of errors in extension, unit prices shall govern. Unit pricing shall include all applicable overhead, administrative, profit and other associated cost.
- 14.09 Bidder shall quote all Alternates in the Bidding Documents. If Bidder fails to bid on all Alternates, then his/her Bid may be considered irregular, non-responsive and may be disqualified.
- 14.10 Bids containing qualifications will be considered irregular, non-responsive and may be disqualified.
- 14.11 A Bid submitted by a partnership shall list the names of all partners and shall be signed in the partnership name by one of the members of the partnership who is authorized to sign for the partnership.

- 14.12 A Bid submitted by a corporation shall be executed in the legal name of the corporation, followed by the state of incorporation and signed by the President or Vice President or another authorized officer. The name of each person signing the Bid Form shall be typed or printed below the signature.
- 14.13 When the person signing for a corporation is other than the President or Vice President and when requested by the Owner, a resolution or other satisfactory evidence of the authority of the officer signing in behalf of the corporation shall be furnished for the Owner's records. The name of each person signing the Bid Form shall be typed or printed below the signature.

ARTICLE 15 - MODIFICATION OF BID-CLAIM OF ERROR

- 15.01 A Bid may be modified or withdrawn by an appropriate document duly executed in the manner that a Bid must be executed and delivered to the place where Bids are to be submitted prior to the date and time for the opening of Bids.
- 15.02 A bidder may request to have their submitted bid withdrawn due to an error. The claim of error must be submitted within 24 hours of the bid submittal deadline. The description of the nature of the error shall accompany the request. The description shall include all original worksheets, demonstrating the error. If a withdrawal request is approved, the bidders Bid Bond will not be forfeited.

ARTICLE 16 - OPENING OF BIDS

- 16.01 Bids will be opened at the time indicated in the Advertisement or Invitation to Bid. An abstract of the amounts of the base Bids and major alternates, if any, will be made available to Bidders after the opening of Bids in the form of a Bid Tabulation and Bid Comparison to be posted on the County web page.

ARTICLE 17 - BIDS TO REMAIN SUBJECT TO ACCEPTANCE

- 17.01 All Bids will remain subject to acceptance for the period of time stated in the Bid Form, but Owner may, in its sole discretion, release any Bid and return the Bid security prior to the end of this period.

ARTICLE 18 - EVALUATION OF BIDS AND AWARD OF CONTRACT

- 18.01 Owner reserves the right to reject any or all Bids, including without limitation, nonconforming, non-responsive, unbalanced, or conditional Bids. Owner further reserves the right to reject the Bid of any Bidder whom it finds, after reasonable inquiry and evaluation, to not be responsible. Owner may also reject the Bid of any Bidder if Owner believes that it would not be in the best interest of the Project to make an award to that Bidder. Owner also, reserves the right to waive all informalities not involving price, time, or changes in the Work and to negotiate contract terms with the Successful Bidder.
- 18.02 More than one Bid for the same Work from an individual or entity under the same or different names will not be considered. Reasonable grounds for believing that any Bidder has an interest in more than one Bid for the Work may be cause for disqualification of that Bidder and the rejection of all Bids in which that Bidder has an interest.
- 18.03 In evaluating Bids, Owner will consider whether or not the Bids comply with the prescribed requirements, and such alternates, unit prices and other data, as may be requested in the Bid Form or prior to the Notice of Award.
- 18.04 In evaluating Bidders, Owner will consider the qualifications of Bidders and may consider the qualifications and experience of Subcontractors, Suppliers, and other individuals or entities proposed for those portions of the Work for which the identity of Subcontractors, Suppliers, and other individuals or entities must be submitted as provided in the General Conditions.

- 18.05 Owner may conduct such investigations as Owner deems necessary to establish the responsibility, qualifications, and financial ability of Bidders, proposed Subcontractors, Suppliers, individuals, or entities to perform the Work in accordance with the Contract Documents.
- 18.06 If the Contract is to be awarded, Owner will award the Contract to the Bidder whose Bid is in the best interests of the Project.
- 18.07 The Owner reserves the right not to Award the Project.
- 18.08 **The Owner shall have the right to accept Alternates in any order or combination, and to determine the low bidder on the basis of the sum of the Base Bid and alternates accepted.**

ARTICLE 19 - CONTRACT SECURITY AND INSURANCE

- 19.01 Article 5 of the General Conditions sets forth Owner's requirements as to performance and payment bonds and insurance. When the Successful Bidder delivers the executed Agreement to Owner, it shall be accompanied by such bonds.

ARTICLE 20 - SIGNING OF AGREEMENT

- 20.01 When Owner gives a Notice of Award to the Successful Bidder, it shall be accompanied by the required number of unsigned counterparts of the Agreement with the other Contract Documents which are identified in the Agreement as attached thereto. Within seven (7) days thereafter, Successful Bidder shall sign and deliver the required number of counterparts of the Agreement and attached documents to Owner. Within seven (7) days thereafter, Owner shall deliver one (1) fully signed counterpart to Successful Bidder with a complete set of the Drawings with appropriate identification.

ARTICLE 21 - RETAINAGE

- 21.01 Retainage from progress payments to the Contractor shall be **ten percent** (10%) of each payment for work completed and stored materials on site. Upon substantial completion, contractor may request in a payment application, five percent 5% of the held retainage.

ARTICLE 22 – INSURANCE

- 22.01 The successful bidder shall procure, maintain, and provide proof of, insurance coverage for injuries to persons and/or property damage as may arise from or in conjunction with, the work performed on behalf of the County by the bidder, his agents, representatives, employees or subcontractors. Proof of coverage as contained herein shall be submitted fifteen (15) days prior to the commencement of work and such coverage shall be maintained by the bidder for the duration of the contract period; for occurrence policies.

- a. General Liability

Coverage shall be as broad as: Comprehensive General Liability endorsed to include Broad Form, Commercial General Liability form including Products/Completed Operations.

Minimum Limits

General Liability:

\$2,000,000 General Aggregate

\$2,000,000 Products & Completed Operations Aggregate

\$1,000,000 Personal and Advertising Injury

\$1,000,000 Each Occurrence (Bodily Injury and Property Damage)

\$50,000 Fire Damage Limit
\$5,000 Medical Expense Limit

b. Automobile Liability

Coverage sufficient to cover all vehicles owned, used, or hired by the bidder, his agents, representatives, employees or subcontractors.

Minimum Limits

Automobile Liability:
\$1,000,000 Combined Single Limit
\$1,000,000 Each Occurrence
Limit \$5,000 Medical Expense

c. Workers' Compensation

Limits as required by the Workers' Compensation Act of SC. Employers

Liability, \$1,000,000

d. Owners' & Contractors' Protective Liability

Policy will be in name of Colleton County.
Minimum limits required are \$1,000,000

e. Excess or Umbrella Liability

General Aggregate \$2,000,000
Each Occurrence \$2,000,000

f. Contractual Liability

Bodily Injury:	
Each Accident	\$2,000,000
Annual Aggregate	\$2,000,000
Property Damage:	
Each Accident	\$2,000,000
Annual Aggregate	\$2,000,000

g. Coverage Provisions

1. All deductibles or self-insured retention shall appear on the certificate(s).
2. The County of Colleton, its officers/ officials, employees, agents and volunteers shall be added as "additional insured" as their interest's may appear. This provision does not apply to Professional Liability or Workers' Compensation/Employers' Liability.
3. The bidder's insurance shall be primary over any applicable insurance or self-insurance maintained by Colleton County.
4. Shall provide 30 days' written notice to Colleton County before any cancellation, suspension, or void of coverage in whole or part, where such provision is reasonable.
5. All coverage for subcontractors of the bidder shall be subject to all of the requirements stated herein.
6. All deductibles or self-insured retention shall appear on the certificate(s) and shall be subject to approval by the County. At the option of Colleton County, either; the insurer shall reduce or eliminate such deductible or self-insured retention; or the bidder shall be required to procure a bond guaranteeing payment of losses and related claims expenses.

7. Failure to comply with any reporting provisions of the policy(s) shall not affect coverage provided Colleton County, its officers/officials, agents, employees and volunteers.
8. The insurer shall agree to waive all rights of subrogation against Colleton County, its' officers/officials, agents, employees or volunteers for any act, omission or condition of premises which the parties may be held liable by reason of negligence.
9. The bidder shall furnish Colleton County certificates of insurance including endorsement affecting coverage. The certificates are to be signed by a person authorized by the insurance company(s) to bind coverage on its' behalf, if executed by a broker, notarized copy of authorization to bind, or certify coverage must be attached.
10. All insurance shall be placed with insurers maintaining an A.M. Best rating of no less than an A: VII. If A.M. Best rating is less than A: VII, approval must be received from Colleton County's Risk Officer.

22.02 Colleton County, SC will require each contractor and service provider to maintain on file with the Procurement Manager, a current Certificate of Insurance showing limits as required by the Workers' Compensation Act of SC:

Employers Liability, \$1,000,000.

The law also recognizes "statutory employees." These are employees who work for a subcontractor who may be working for a business or another contractor. Employers should inquire whether or not a subcontractor working for them has workers' compensation insurance, regardless of the number of employees employed by the subcontractor. If the subcontractor does not, the subcontractor's injured employees would be covered under the employer's workers' compensation insurance. If the subcontractor does not carry workers' compensation insurance, then the owner or the principal contractor would be liable just as if the subcontractor's employee was one of their employees. For answers to additional questions, visit the SC Worker's Compensation Commission website at: <http://www.wcc.state.sc.us/Frequently%20Asked%20Questions/FAQ.htm>

22.03 Contractor shall provide and maintain, during the progress of the work and until execution of the Certificate of Contract Completion, a Builder's Risk Insurance policy to cover all work in the course of construction including false work, temporary buildings, scaffolding, and materials used in the construction process (including materials designated for the project but stored off site or in transit). The coverage shall equal the total completed value of the work and shall provide recovery at replacement cost.

- a) Such insurance shall be on a special cause of loss form, providing coverage on an open perils basis insuring against the direct physical loss of or damage to covered property, including but not limited to theft, vandalism, malicious mischief, earthquake, tornado, lightning, and explosion, breakage of glass, collapse, water damage, and testing /startup.
- b) Coverage shall include coverage for "soft costs" (costs other than replacement of building materials) including, but not limited to, the reasonable extra costs of the architect/engineer and reasonable Contractor extension or acceleration costs. This coverage shall also include the reasonable extra costs of expediting temporary and permanent repairs to, or permanent replacement of, damaged property. This shall include overtime wages and the extra cost of express or other means for rapidly transporting materials and supplies necessary to the repair or replacement.
- c) The policy shall specifically permit and allow for partial occupancy by the owner prior To execution of the final Certification of Contract Completion, and coverage shall remain in effect until all punch list items are completed.

- d) The Builder's Risk deductible may not exceed \$5,000. The Contractor or subcontractor experiencing any loss claimed under the Builder's Risk policy shall be responsible for that loss up to the amount of the deductible.
- e) If Contractor is involved solely in the installation of material and equipment and not in New building construction, the Contractor shall provide an Installation Floater policy in lieu of a Builder's Risk policy. The policy must comply with the provisions of this paragraph.

ARTICLE 23 – WARRANTY

- 23.01 Warranty of workmanship and products shall be covered for **730 days** from the date of the issuance of the Certificate of Substantial Completion. During the 730-day warranty period, all product warranties or workmanship repairs are the sole responsibility of the Contract holder and shall include all parts and labor associated with the repair.
- 23.02 All items repaired or replaced during the initial Warranty period due to workmanship or product failure shall be warranted for 365 days from the date of the repair and or replacement.
- 23.03 All Surety Bonds shall cover the warranty period listed in 23.01 and 23.02. The surety shall be updated to reconcile the date of the warranty period as needed.
- 23.04 Should a product installed during the construction process not have a manufactures warranty period that extends out to one year, it is the responsibility of the Contract holder to cover the product and any resulting expenses related to that product for one year.

Remainder of this page intentionally left blank

CONTRACT

THIS AGREEMENT is by and between **Colleton County, 109 Benson Street,
Walterboro, South Carolina**

(hereinafter called "Owner") and _____

doing business as an **individual/partnership/corporation/joint venture** (strike out inapplicable terms), with its primary office in the City of _____, County of _____, State of _____.

Owner and Contractor, in consideration of the mutual covenants set forth herein, agree as follows:

ARTICLE 1 - WORK

1.01 Contractor shall complete all Work as specified or indicated in the Contract Documents. The Work is generally described as follows:

Renovation of the facility located at 40 Klein Street, Walterboro, SC 29488. Construction consisting of restroom upgrade, new LED lighting, new hallway & door and upgraded finishes.

ARTICLE 2 - THE PROJECT

2.01 The Project for which the Work under the Contract Documents may be the whole or only a part is generally described as follows:

Renovation of the facility located at 40 Klein Street, Walterboro, SC 29488. Construction consisting of restroom upgrade, new LED lighting, new hallway & door and upgraded finishes.

ARTICLE 3 - DESIGN

3.01 The Project has been designed by: Glick, Boehm Architecture Inc., Doug Clark, will act as the Construction Coordinator as the Owner's representative, assume all duties and responsibilities, and have the rights and authority assigned to the Construction Coordinator in the Contract Documents in connection with the completion of the Work in accordance with the Contract Documents.

ARTICLE 4 - CONTRACT TIMES

4.01 Time of the Essence

A. All time limits for Milestones for final payment as stated in the Contract Documents are of the essence of the Contract.

4.02 Dates for Substantial Completion and Final Payment

Renovation of the facility located at 40 Klein Street, Walterboro, SC 29488. Construction consisting of restroom upgrade, new LED lighting, new hallway & door and upgraded finishes to be completed within Ninety (90) calendar days after the "Notice to Proceed" has been issued.

4.03 Liquidated Damages

- A. Contractor and Owner recognize that time is of the essence of this Agreement and that Owner will suffer financial loss if the Work is not completed within the times specified in Paragraph 4.02 above, plus any extensions thereof allowed in accordance with Article 12 of the General Conditions. The parties also recognize the delays, expense, and difficulties involved in proving in a legal or arbitration proceeding the actual loss suffered by Owner if the Work is not completed on time. Accordingly, instead of requiring any such proof, Owner and Contractor agree that as liquidated damages for delay (but not as a penalty), Contractor shall pay Owner \$500 for each day that expires after the time specified in Paragraph 4.02 for completion and readiness for final payment until the Work is completed and ready for final payment.
- B. Liquidated damages can and will be assessed against the final payment request and any retainage held by Colleton County. Should funding for Liquidated damages exceed the amount held by Colleton County in the form of Payments or Retainage, work shall stop until such time as the Liquidated Damages issue is resolved.
- C. Substantial Completion does not constitute compliance with the allotted time as outlined in the bid packet or within the Contract Documents.

ARTICLE 5 - CONTRACT PRICE

5.01 Owner shall pay Contractor for completion of the Work in accordance with the Contract Documents an amount in current funds equal to the sum of the amounts determined pursuant to Paragraphs 5.01.A below:

- A. For all Unit Price Work, an amount equal to the sum of the established unit price for each separately identified item of Unit Price Work, times the estimated quantity of that item as indicated in the Bid Form attached hereto as part of these Contract Documents.
- B. Allowances to be used at the owner's discretion shall be included in Base Bid Proposal. Allowances will be listed separately in the submitted schedule of values and unit price sheet. All unused allowances shall be credited back to the owner at the completion of the project in the form of a change order.

Unfounded issues	LS	1	\$ 5,000.00
------------------	----	---	-------------

D. The sum of unit price work to be completed as noted in 5.01(A) and 5.01(B) is,

\$ _____

ARTICLE 6 - PAYMENT PROCEDURES

6.01 Submittal and Processing of Payments

- A. Contractor shall submit Applications for Payment in accordance with Article 14 of the General Conditions. Applications for Payment will be processed by the Construction Coordinator as provided in the General Conditions.

6.02 Progress Payments; Retainage

- A. Owner shall make progress payments on account of the Contract Price on the basis of Contractor's Applications for Payment on or about the 15th day of each month during performance of the Work as provided in Paragraphs 6.02.A.1 and 6.02.A.2 below. All such payments will be measured by the schedule of values established as provided in Paragraph

2.07.A of the General Conditions (and in the case of Unit Price Work based on the number of units completed) or, in the event there is no schedule of values, as provided in the General Requirements:

1. Prior to Substantial Completion, progress payments will be made in an amount equal to the percentage indicated below but, in each case, less the aggregate of payments previously made and less such amounts as the Construction Coordinator may determine or Owner may withhold, including but not limited to liquidated damages, in accordance with Paragraph 14.02 of the General Conditions:
 - a. **90%** of Work completed (with the balance being Retainage).
 - b. **90%** of cost of materials and equipment not incorporated in the Work (with the balance being Retainage).
2. Upon Substantial Completion, Owner shall pay an amount sufficient to increase total payments to Contractor to **95%** of the Work completed, less such amounts as the Construction Coordinator shall determine in accordance with Paragraph 14.02.B.5 of the General Conditions and less **10%** of the Construction Coordinator estimate of the value of Work to be completed or corrected as shown on the tentative list of items to be completed or corrected attached to the certificate of Substantial Completion.

6.03 Final Payment

- A. Upon final completion and acceptance of the Work in accordance with Paragraph 14.07 of the General Conditions, Owner shall pay the remainder of the Contract Price as recommended by the Construction Coordinator as provided in said Paragraph 14.07.

ARTICLE 7 – CONTRACTOR’S REPRESENTATIONS

7.01 In order to induce Owner to enter into this Agreement Contractor makes the following representations:

- A. Contractor has examined and carefully studied the Contract Documents and the other related data identified in the Bidding Documents.
- B. Contractor has visited the Site and become familiar with and is satisfied as to the general, local, and Site conditions that may affect cost, progress, and performance of the Work.
- C. Contractor is familiar with and is satisfied as to all federal, state, and local Laws and Regulations that may affect cost, progress, and performance of the Work.
- D. Contractor has carefully studied all: (1) reports of explorations and tests of subsurface conditions at or contiguous to the Site and all drawings of physical conditions in or relating to existing surface or subsurface structures at or contiguous to the Site (except Underground Facilities) which have been identified in Paragraph 4.02 of the General Conditions and (2) reports and drawings of a Hazardous Environmental Condition, if any, at the Site which has been identified in Paragraph 4.06 of the General Conditions.
- E. Contractor has obtained and carefully studied (or assumes responsibility for doing so) all examinations, investigations, explorations, tests, studies, and data concerning conditions (surface, subsurface, and Underground Facilities) at or contiguous to the Site which may affect cost, progress, or performance of the Work or which relate to any aspect of the means, methods, techniques, sequences, and procedures of construction to be employed by Contractor, including any specific means, methods, techniques, sequences, and procedures of construction expressly required by the Bidding Documents, and safety precautions and programs incident thereto.

- F. Contractor does not consider that any further examinations, investigations, explorations, tests, studies, or data are necessary for the performance of the Work at the Contract Price, within the Contract Times, and in accordance with the other terms and conditions of the Contract Documents.
- G. Contractor is aware of the general nature of work to be performed by Owner and others at the Site that relates to the Work as indicated in the Contract Documents.
- H. Contractor has correlated the information known to Contractor, information and observations obtained from visits to the Site, reports and drawings identified in the Contract Documents, and all additional examinations, investigations, explorations, tests, studies, and data with the Contract Documents.
- I. Contractor has given the Owner written notice of all conflicts, errors, ambiguities, or discrepancies that Contractor has discovered in the Contract Documents, and the written resolution thereof by the Owner is acceptable to Contractor.
- J. The Contract Documents are generally sufficient to indicate and convey understanding of all terms and conditions for performance and furnishing of the Work.

ARTICLE 8 - CONTRACT DOCUMENTS

- 8.01 A. The Contract Documents shall consist of all sections in the following divisions;

DIVISION 000 - BIDDING AND CONTRACT REQUIREMENTS
 DIVISION 001 - GENERAL CONDITIONS
 EXHIBIT "A" - PLANS

All information contained within these Divisions, and the requirements thereof are of the sole responsibility of the bidder.

- B. There are no Contract Documents other than those listed above in this Article 8.
- C. The Contract Documents may only be amended, modified, or supplemented as provided in Paragraph 3.04 of the General Conditions.

ARTICLE 9 - MISCELLANEOUS

- 9.01 Terms

- A. Terms used in this Agreement will have the meanings stated in the 001, General Conditions.

- 9.02 Assignment of Contract

- A. No assignment by a party hereto of any rights under or interests in the Contract will be binding on another party hereto without the written consent of the party sought to be bound; and, specifically but without limitation, moneys that may become due and moneys that are due may not be assigned without such consent (except to the extent that the effect of this restriction may be limited by law), and unless specifically stated to the contrary in any written consent to an assignment, no assignment will release or discharge the assignor from any duty or responsibility under the Contract Documents.

- 9.03 Successors and Assigns

- A. Owner and Contractor each binds itself, its partners, successors, assigns, and legal representatives to the other party hereto, its partners, successors, assigns, and legal

representatives in respect to all covenants, agreements, and obligations contained in the Contract Documents.

9.04 Severability

- A. Any provision or part of the Contract Documents held to be void or unenforceable under any Law or Regulation shall be deemed stricken, and all remaining provisions shall continue to be valid and binding upon Owner and Contractor, who agree that the Contract Documents shall be reformed to replace such stricken provision or part thereof with a valid and enforceable provision that comes as close as possible to expressing the intention of the stricken provision.

9.05 Waiver or Forbearance

Any delay or failure of Colleton County to insist upon strict performance of any obligation under this Agreement or to exercise any right or remedy provided under this Agreement shall not be a waiver of Colleton County's right to demand strict compliance, irrespective of the number or duration of any delay(s) or failure(s). No term or condition imposed on Contractor under this Agreement shall be waived and no breach by Contractor shall be excused unless that waiver or excuse of a breach has been put in writing and signed by both parties. No waiver in any instance of any right or remedy shall constitute waiver of any other right or remedy under this Agreement. No consent to or forbearance of any breach or substandard performance of any obligation under this Agreement shall constitute consent to modification or reduction of the other obligations or forbearance of any other breach.

9.06 Subject to the provisions below, the contract may be terminated by Colleton County upon fifteen (15) days advance written notice to the other party; but if any work or service hereunder is in progress, but not completed as of the date of termination, then this contract may be extended upon written approval of the County until said work or services are completed and accepted.

a. Termination for Convenience:

In the event that this contract is terminated or canceled upon request and for the convenience of the County, without the required fifteen (15) days advance written notice, then the County shall negotiate reasonable termination costs, if applicable.

b. Termination for Cause:

Termination by the County for cause, default or negligence on the part of the Contractor shall be excluded from the foregoing provision; termination costs, if any, shall not apply. The fifteen (15) days advance notice requirement is waived in the event of Termination for Cause.

c. Non-Appropriation:

It is understood and agreed by the parties that in the event funds are not appropriated in the current fiscal year or any subsequent fiscal years, this contract will become null and void and the County will only be required to pay for services completed to the satisfaction of the County.

IN WITNESS, WHEREOF, Owner and Contractor have signed this Agreement. One counterpart each has been delivered to Owner, Contractor, Construction Coordinator and provided to the Contractor for his Bonding Agency. All portions of the Contract Documents have been signed or identified by Owner and Contractor or on their behalf.

This Agreement will be effective on this ____ day of _____, 2020 (which is the Effective Date of the Agreement).

OWNER:

CONTRACTOR:

Colleton County

By: _____

J. Kevin Griffin

Title: _____

County Administrator

Attest: _____

Title: _____

Address for giving notices:

Colleton County Purchasing Department

Attn: Kaye Syfrett, Procurement Manager

113 Mable T. Willis Boulevard

Walterboro, SC, 29488

By: _____

Title: _____

Attest: _____

Title: _____

Address for giving notices:

License No.: _____

(Where applicable)

Remainder of this page intentionally left blank



REFERENCE FORMS

1- BOND FORMS

Bond Requirements

- 1.01 All Bonds shall be placed with insurers maintaining an A.M. Best rating of no less than an A: VII. If A.M. Best rating is less than A: VII, approval must be received from Colleton County's Risk or Finance Officer before issuance.
- 1.02 Bonding Companies shall submit as proof of good standing, a copy of the A.M Rating along with the Bond.
- 1.03 Bonding/Surety Companies shall use the Bonds provided in the Bid/Proposal Packet CPST-6.01.
- 1.04 Bonding/Surety Companies shall issue a new Performance Bond and Payment Bond at such time that the contract has been altered by a change order adjusting the compensation of the contract.
- 1.05 Bonding companies shall note the warranty periods as outlined in the Proposal Document CPST-6.01 and listed on the reverse side of the bond itself. Should the warranty period be extended past the initial contract period due to a warranty claim, then the bond shall be re-issued to match the new warranty period as outlined in the proposal documents.

Remainder of this page intentionally left blank

PERFORMANCE BOND

Any singular reference to Contractor, Surety, Owner, or other party shall be considered plural where applicable.

CONTRACTOR:

SURETY:

OWNER: Colleton County
109 Benson Street
Walterboro, SC 29488

CONTRACT: CPST-6.01

Date: _____

Amount: _____

Description (Name and Location): **Renovation of the facility located at 40 Klein Street, Walterboro, SC 29488. Construction consisting of restroom upgrade, new LED lighting, new hallway & door and upgraded finishes.**

BOND

Bond Number: _____

Date (Not earlier than Contract Date): _____

Amount: _____

Modifications to this Bond Form: _____

Surety and Contractor, intending to be legally bound hereby, subject to the terms printed on the reverse side hereof, do each cause this Performance Bond to be duly executed on its behalf by its authorized officer, agent, or representative.

CONTRACTOR AS PRINCIPAL

SURETY

Company: _____

Signature _____

Name and Title: _____

Surety's Name and Corporate Seal

By: _____

Signature and Title
(Attach Power of Attorney)

(Space is provided below for signatures of additional parties, if required.)

Attest: _____

Signature and Title

CONTRACTOR AS PRINCIPAL

SURETY

Company: _____

Signature: _____

Name and Title:

Surety's Name and Corporate Seal

By: _____

Signature and Title
(Attach Power of Attorney)

Attest: _____

Signature and Title:

1. Contractor and Surety, jointly and severally, bind themselves, their heirs, executors, administrators, successors, and assigns to Owner for the performance of the Contract, which is incorporated herein by reference.

2. If Contractor performs the Contract, Surety and Contractor have no obligation under this Bond, except to participate in conferences as provided in Paragraph 3.1.

3. If there is no Owner Default, Surety's obligation under this Bond shall arise after:

3.1. Owner has notified Contractor and Surety, at the addresses described in Paragraph 10 below, that Owner is considering declaring a Contractor Default and has requested and attempted to arrange a conference with Contractor and Surety to be held not later than 15 days after receipt of such notice to discuss methods of performing the Contract. If Owner, Contractor and Surety agree, Contractor shall be allowed a reasonable time to perform the Contract, but such an agreement shall not waive Owner's right, if any, subsequently to declare a Contractor Default; and

3.2. Owner has declared a Contractor Default and formally terminated Contractor's right to complete the Contract. Such Contractor Default shall not be declared earlier than 20 days after Contractor and Surety have received notice as provided in Paragraph 3.1; and

3.3. Owner has agreed to pay the Balance of the Contract Price to:

1. Surety in accordance with the terms of the Contract;
2. Another contractor selected pursuant to Paragraph 4.3 to perform the Contract.
4. When Owner has satisfied the conditions of Paragraph 3, Surety shall promptly and at Surety's expense take one of the following actions:

4.1. Arrange for Contractor, with consent of Owner, to perform and complete the Contract; or

4.2. Undertake to perform and complete the Contract itself, through its agents or through independent contractors; or

4.3. Obtain bids or negotiated proposals from qualified contractors acceptable to Owner for a contract for performance and completion of the Contract, arrange for a contract to be prepared for execution by Owner and Contractor selected with Owner's concurrence, to be secured with performance and payment bonds executed by a qualified surety equivalent to the bonds issued on the Contract, and pay to Owner the amount of damages as described in Paragraph 6 in excess of the Balance of the Contract Price incurred by Owner resulting from Contractor Default; or

4.4. Waive its right to perform and complete, arrange for completion, or obtain a new contractor and with reasonable promptness under the circumstances:

1. After investigation, determine the amount for which it may be liable to Owner and, as soon as practicable after the amount is determined, tender payment therefor to Owner; or

2. Deny liability in whole or in part and notify Owner citing reasons therefor.

5. If Surety does not proceed as provided in Paragraph 4 with reasonable promptness, Surety shall be deemed to be in default on this Bond 15 days after receipt of an additional written notice from Owner to Surety demanding that Surety perform its obligations under this Bond, and Owner shall be entitled to enforce any remedy available to Owner. If Surety proceeds as provided in Paragraph 4.4, and Owner refuses the payment tendered or Surety has denied liability, in whole or in part, without further notice Owner shall be entitled to enforce any remedy available to Owner.

6. After Owner has terminated Contractor's right to complete the Contract, and if Surety elects to act under Paragraph 4.1, 4.2, or 4.3 above, then the responsibilities of Surety to Owner shall not be greater than those of Contractor under the Contract, and the responsibilities of Owner to Surety shall not be greater than those of Owner under the Contract. To a limit of the amount of this Bond, but subject to commitment by Owner of the Balance of the Contract Price to mitigation of costs and damages on the Contract, Surety is obligated without duplication for:

6.1. The responsibilities of Contractor for correction of defective Work and Completion of the Contract;

6.2. Additional legal, design professional, and delay costs resulting from Contractor's Default, and resulting from the actions or failure to act of Surety under Paragraph 4; and

6.3. Liquidated damages, or if no liquidated damages are specified in the Contract, actual damages caused by delayed performance or non-performance of Contractor.

7. Surety shall not be liable to Owner or others for obligations of Contractor that are unrelated to the Contract, and the Balance of the Contract Price shall not be reduced or set off on account of any such unrelated obligations. No right of action shall accrue on this Bond to any person or entity other than Owner or its heirs, executors, administrators, or successors.

8. Surety hereby waives notice of any change, including changes of time, to Contract, Contract amount or to related subcontracts, purchase orders, and other obligations.

9. Any proceeding, legal or equitable, under this Bond may be instituted in any court of competent jurisdiction in the location in which the Work or part of the Work is located and shall be instituted within two years after Contractor Default or within two years after Contractor ceased working or within two years after Surety refuses or fails to perform its obligations under this Bond, whichever occurs first. If the provisions of this paragraph are void or prohibited by law, the minimum period of limitation available to sureties as a defense in the jurisdiction of the suit shall be applicable.

10. Notice to Surety, Owner, or Contractor shall be mailed or delivered to the address shown on the signature page.

11. When this Bond has been furnished to comply with a statutory requirement in the location where the Contract was to be performed, any provision in this Bond conflicting with said statutory requirement shall be deemed deleted here from and provisions conforming to such statutory requirement shall be deemed incorporated herein. The intent is that this Bond shall be construed as a statutory bond and not as a common law bond.

12. The Surety will be obligated until such time as the Contractor has faithfully performed all terms of the Contract, which includes a two (2) year warranty coverage period.

12.1 The standard two-year warranty period starts on the date of issuance of the Substantial Completion Certification.

12.2 The standard warranty covers the full cost of Labor, Parts, Shipping, Sales Tax and any and all other associated cost for the warranty repair.

12.3 The surety agrees that should a warranty issue arise within the allotted standard two (2) year warranty period, the item repaired during the warranty period shall be covered for an addition year (365 days) from the completed repair of the warranty issue.

13. Definitions

13.1 Balance of the Contract Price: The total amount payable by Owner to Contractor under the Contract after all proper adjustments have been made, including allowance to Contractor of any amounts received or to be received by Owner in settlement of insurance or other Claims for damages to which Contractor is entitled, reduced by all valid and proper payments made to or on behalf of Contractor under the Contract.

13.2 Contract: The agreement between Owner and Contractor identified on the signature page, including all Contract Documents and changes thereto.

13.3 Contractor Default: Failure of Contractor, which has neither been remedied nor waived, to perform or otherwise to comply with the terms of the Contract.

13.4 Owner Default: Failure of Owner, which has neither been remedied nor waived, to pay Contractor as required by the Contract or to perform and complete or comply with the other terms thereof.

PAYMENT BOND

Any singular reference to Contractor, Surety, Owner, or other party shall be considered plural where applicable.

CONTRACTOR:

SURETY:

OWNER: Colleton County
109 Benson Street
Walterboro, SC 29488

CONTRACT CPST-6.01

Date: _____

Amount: _____

Description (Name and Location): **Renovation of the facility located at 40 Klein Street, Walterboro, SC 29488. Construction consisting of restroom upgrade, new LED lighting, new hallway & door and upgraded finishes.**

BOND

Bond Number: _____

Date (Not earlier than Contract Date): _____

Amount: _____

Modifications to this Bond Form: _____

Surety and Contractor, intending to be legally bound hereby, subject to the terms printed on the reverse side hereof, do each cause this Payment Bond to be duly executed on its behalf by its authorized officer, agent, or representative.

CONTRACTOR AS PRINCIPAL

SURETY

Company: _____

Signature: _____

Name and Title:

Surety's Name and Corporate Seal

By: _____

Signature and Title
(Attach Power of Attorney)

(Space is provided below for signatures of additional parties, if required.)

Attest: _____

Signature and Title

CONTRACTOR AS PRINCIPAL

SURETY

Company: _____

Signature: _____

Name and Title:

Surety's Name and Corporate Seal

By: _____

Signature and Title
(Attach Power of Attorney)

Attest: _____

1. Contractor and Surety, jointly and severally, bind themselves, their heirs, executors, administrators, successors, and assigns to Owner to pay for labor, materials, and equipment furnished by Claimants for use in the performance of the Contract, which is incorporated herein by reference.
2. With respect to Owner, this obligation shall be null and void if Contractor:
 - 2.1. Promptly makes payment, directly or indirectly, for all sums due Claimants, and
 - 2.2. Defends, indemnifies, and holds harmless Owner from all claims, demands, liens, or suits alleging non-payment by Contractor by any person or entity who furnished labor, materials, or equipment for use in the performance of the Contract, provided Owner has promptly notified Contractor and Surety (at the addresses described in Paragraph 12) of any claims, demands, liens, or suits and tendered defense of such claims, demands, liens, or suits to Contractor and Surety, and provided there is no Owner Default.
3. With respect to Claimants, this obligation shall be null and void if Contractor promptly makes payment, directly or indirectly, for all sums due.
4. Surety shall have no obligation to Claimants under this Bond until:
 - 4.1. Claimants who are employed by or have a direct contract with Contractor have given notice to Surety (at the addresses described in Paragraph 12) and sent a copy, or notice thereof, to Owner, stating that a claim is being made under this Bond and, with substantial accuracy, the amount of the claim.
 - 4.2. Claimants who do not have a direct contract with Contractor:
 1. Have furnished written notice to Contractor and sent a copy, or notice thereof, to Owner, within 90 days after having last performed labor or last furnished materials or equipment included in the claim stating, with substantial accuracy, the amount of the claim and the name of the party to whom the materials or equipment were furnished or supplied, or for whom the labor was done or performed; and
 2. Have either received a rejection in whole or in part from Contractor, or not received within 30 days of furnishing the above notice any communication from Contractor by which Contractor had indicated the claim will be paid directly or indirectly; and
 3. Not having been paid within the above 30 days, have sent a written notice to Surety and sent a copy, or notice thereof, to Owner, stating that a claim is being made under this Bond and enclosing a copy of the previous written notice furnished to Contractor.
5. If a notice by a Claimant required by Paragraph 4 is provided by Owner to Contractor or to Surety that is sufficient compliance.
6. When a Claimant has satisfied the conditions of Paragraph 4, the Surety shall promptly and at Surety's expense take the following actions:
 - 6.1. Send an answer to that Claimant, with a copy to Owner, within 45 days after receipt of the claim, stating the amounts that are undisputed and the basis for challenging any amounts that are disputed.
 - 6.2. Pay or arrange for payment of any undisputed amounts.
7. Surety's total obligation shall not exceed the amount of this Bond, and the amount of this Bond shall be credited for any payments made in good faith by Surety.
8. Amounts owed by Owner to Contractor under the Contract shall be used for the performance of the Contract and to satisfy claims, if any, under any performance bond. By Contractor furnishing and Owner accepting this Bond, they agree that all funds earned by Contractor in the performance of the Contract are dedicated to satisfy obligations of Contractor and Surety under this Bond, subject to Owner's priority to use the funds for the completion of the Work.
9. Surety shall not be liable to Owner, Claimants, or others for obligations of Contractor that are unrelated to the Contract. Owner shall not be liable for payment of any costs or expenses of any Claimant under this Bond, and shall have under this Bond no obligations to make payments to, give notices on behalf of, or otherwise have obligations to Claimants under this Bond.
10. Surety hereby waives notice of any change, including changes of time, to the Contract or to related Subcontracts, purchase orders and other obligations.
 11. No suit or action shall be commenced by a Claimant under this Bond other than in a court of competent jurisdiction in the location in which the Work or part of the Work is located or after the expiration of one year from the date (1) on which the Claimant gave the notice required by Paragraph 4.1 or Paragraph 4.2.3, or (2) on which the last labor or service was performed by anyone or the last materials or equipment were furnished by anyone under the Construction Contract, whichever of (1) or (2) first occurs. If the provisions of this paragraph are void or prohibited by law, the minimum period of limitation available to sureties as a defense in the jurisdiction of the suit shall be applicable.
 12. Notice to Surety, Owner, or Contractor shall be mailed or delivered to the addresses shown on the signature page. Actual receipt of notice by Surety, Owner, or Contractor, however accomplished, shall be sufficient compliance as of the date received at the address shown on the signature page.
 13. When this Bond has been furnished to comply with a statutory requirement in the location where the Contract was to be performed, any provision in this Bond conflicting with said statutory requirement shall be deemed deleted here from and provisions conforming to such statutory requirement shall be deemed incorporated herein. The intent is that this Bond shall be construed as a statutory Bond and not as a common law bond.
 14. Upon request of any person or entity appearing to be a potential beneficiary of this Bond, Contractor shall promptly furnish a copy of this Bond or shall permit a copy to be made.
 15. The Surety will be obligated until such time as the Contractor has faithfully performed all terms of the Contract, which includes a two (2) year warranty coverage period.
 - 15.1 The standard two-year warranty period starts on the date of issuance of the Substantial Completion Certification.
 - 15.2 The standard warranty covers the full cost of Labor, Parts, Shipping, Sales Tax and any and all other associated cost for the warranty repair.
 - 15.3 The surety agrees that should a warranty issue arise within the allotted standard two (2) year warranty period, the item repaired during the warranty period shall be covered for an addition year (365 days) from the completed repair of the warranty issue.
16. DEFINITIONS
 - 16.1. Claimant: An individual or entity having a direct contract with Contractor, or with a first-tier subcontractor of Contractor, to furnish labor, materials, or equipment for use in the performance of the Contract. The intent of this Bond shall be to include without limitation in the terms "labor, materials or equipment" that part of water, gas, power, light, heat, oil, gasoline, telephone service, or rental equipment used in the Contract, architectural and engineering services required for performance of the Work of Contractor and Contractor's Subcontractors, and all other items for which a mechanic's lien may be asserted in the jurisdiction where the labor, materials, or equipment were furnished.
 - 16.2. Contract: The agreement between Owner and Contractor identified on the signature page, including all Contract Documents and changes thereto.
 - 16.3. Owner Default: Failure of Owner, which has neither been remedied nor waived, to pay Contractor as required by the Contract or to perform and complete or comply with the other terms thereof.

Substantial Completion

Project: <u>Renovation of the facility located at 40 Klein Street Walterboro SC 29488. Construction consisting of restroom upgrade, new LED lighting, new hallway & door and upgraded finishes.</u>	Project Owner: Colleton County, 109 Benson Street, Walterboro, South Carolina	Architects Project No.: 1945 Owner Project Number: CPST-6.01
Contract: <u>CPST-6.01 Magistrates Building Renovation</u>		Date of Contract:
Contractor:		

This [tentative] [definitive] Certificate of Substantial Completion applies to:

- All Work under the Contract Documents:
 The following specified portions:

Date of Substantial Completion

The Work to which this Certificate applies has been inspected by authorized representatives of Owner, Contractor and Engineer and or Architect, and found to be substantially complete. The Date of Substantial Completion of the Project or portion thereof designated above is hereby declared and is also the date of commencement of applicable warranties required by the Contract Documents, except as stated below.

A [tentative] [revised tentative] [definitive] list of items to be completed or corrected, is attached hereto. This list may not be all-inclusive, and the failure to include any items on such list does not alter the responsibility of the Contractor to complete all Work in accordance with the Contract Documents.

The responsibilities between OWNER and CONTRACTOR for security, operation, safety, maintenance, heat, utilities, insurance and warranties shall be as provided in the Contract Documents except as amended as follows:

- Amended Responsibilities
 Not Amended

Owner's Amended Responsibilities:

Contractor's Amended Responsibilities:

The following documents are attached to and made part of this Certificate:

This Certificate does not constitute an acceptance of Work not in accordance with the Contract Documents nor is it a release of Contractor's obligation to complete the Work in accordance with the Contract Documents.

Executed by Construction Coordinator: Glick, Boehm Architecture Inc. Date

Accepted by Contractor: Date

Accepted by Owner: John T. Stieglitz III, Capital Projects Director Date

CONTRACTOR'S AFFIDAVIT

The State of _____ Date _____

The County of _____

The City/Town of _____

(Officer's Name)

(Officer's Title)

being duly sworn, deposes and says that _____
(Contractor's Name)

has furnished all labor and material entering into the: **Renovation of the facility located at 40 Klein Street
Walterboro SC 29488. Construction consisting of restroom upgrade, new LED lighting, new hallway and door and
upgraded finishes.**

called for in the Contract Documents dated _____ with **Colleton County** states further
that this officer has full knowledge of all obligations for such labor and materials, which have entered into and
become part of that certain project known and designated above, and that this officer further deposes and
says

that all debts and other obligations for such labor and materials have been fully and completely paid for in
good

and lawful money of the United States of America and that there are no suits for damages against them

proceeding, prospective and/or that there are no suits for damages against them proceeding, prospective, or
otherwise, in consequence of their operations on the above said project.

The said _____ will hold the Owners,
(Contractor's Name)

Colleton County, South Carolina blameless of any and all mechanic's liens that may be hereafter entered
or filed for record, so as to constitute charge against said premises for work or labor done or materials furnished
by them.

IN WITNESS HEREOF, this officer has heretofore put his hand and seal: _____ (Seal)
(Officer's Name)

I, _____, Notary Public in and for the above-named County and State do
hereby certify that _____ personally known to me to be the affiant in the foregoing
(Officer's Name)

Affidavit, personally appeared before me this day and, having been duly sworn, deposes and says that the
facts set forth in the above Affidavit are true and correct.

WITNESS my hand and seal this _____ day of _____, 2020

(Seal)

Notary Public for the State of _____

My Commission Expires: _____

FIELD ORDER: No. _____

Date of Issuance: _____

Effective Date: _____

Project: <u>Renovation of the facility located at 40 Klein Street Walterboro SC 29488. Construction consisting of restroom upgrade, new LED lighting, new hallway & door and upgraded finishes.</u>	Project Director: Colleton County, 31 Klein Street, Walterboro, SC 29488	Architects Project No.: 1945 Owner Project Number: CPST-6.01
Contract: <u>CPST-6.01 Magistrates Building Renovation</u>		Date of Contract:
Contractor:		
Attention: You are hereby directed to promptly execute this Field Order issued in accordance with General Conditions Paragraph 9.05A, for minor changes in the Work without changes in Contract Price or Contract Times. If you consider that a change in Contract Price or Contract Times is required, please notify the Construction Coordinator immediately and before proceeding with this Work.		
Reference _____ (Specification Section(s)) (Drawing(s) / Detail(s))		
Description:		
Attachments:		
Construction Coordinator: Doug Clark, Glick Boehm Architecture Inc.		
Receipt Acknowledged by (Contractor):		Date:

WORK CHANGE DIRECTIVE: No. _____

Date of Issuance: _____

Effective Date: _____

Project: <u>Renovation of the facility located at 40 Klein Street Walterboro SC 29488. Construction consisting of restroom upgrade, new LED lighting, new hallway & door and upgraded finishes.</u>	Project Director: Colleton County, 31 Klein Street, Walterboro, SC 29488	Architects Project No.: 1945 Owner Project Number: CPST-6.01								
Contract: <u>CPST-6.01 Magistrates Building Renovation</u>		Date of Contract:								
Contractor:										
<p>You are directed to proceed promptly with the following change(s):</p> <table border="1" style="width:100%; border-collapse: collapse;"> <thead> <tr> <th style="width:15%;">Item No.</th> <th>Description</th> </tr> </thead> <tbody> <tr><td> </td><td> </td></tr> <tr><td> </td><td> </td></tr> <tr><td> </td><td> </td></tr> </tbody> </table>			Item No.	Description						
Item No.	Description									
<p>Attachments (list documents supporting change):</p> <table border="1" style="width:100%; border-collapse: collapse;"> <tr><td> </td></tr> <tr><td> </td></tr> </table>										
<p>Purpose for Work Change Directive:</p> <p><input type="checkbox"/> Authorization for Work described herein to proceed on the basis of Cost of the Work due to:</p> <p style="margin-left: 20px;"><input type="checkbox"/> Non-agreement on pricing of proposed change.</p> <p style="margin-left: 20px;"><input type="checkbox"/> Necessity to expedite Work described herein prior to agreeing to changes on Contract Price and Contract Time.</p>										
<p>Estimated change in Contract Price and Contract Times:</p> <p>Contract Price \$ _____ (increase/decrease) Contract Time _____ days (increase/decrease)</p>										
<p>If the change involves an increase, the estimated amounts are not to be exceeded without further authorization.</p>										
Recommended for Approval by Construction Coordinator: Doug Clark, Glick Boehm Architecture Inc.		Date								
Authorized for Owner by:		Date								
Accepted for Contractor by:		Date								
Approved by Funding Agency (if applicable):		Date:								

CHANGE ORDER: No. _____

Date of Issuance: _____

Effective Date: _____

Project Renovation of the facility located at 40 Klein Street Walterboro SC 29488. Construction consisting of restroom upgrade, new LED lighting, new hallway & door and upgraded finishes.	Project Director: Colleton County, 31 Klein Street, Walterboro, SC 29488	Architects Project No.: 1945 Owner Project Number: CPST-6.01
Contract: CPST-6.01 Magistrates Building Renovation		Date of Contract:
Contractor:		
The Contract Documents are modified as follows upon execution of this Change Order:		
Description:		
Attachments: (List documents supporting change):		

CHANGE IN CONTRACT PRICE:	CHANGE IN CONTRACT TIMES:
Original Contract Price: \$ _____	Original Contract Times: <input type="checkbox"/> Working days <input type="checkbox"/> Calendar days Substantial completion (days or date): _____ Ready for final payment (days or date): _____
[Increase] [Decrease] from previously approved Change Orders No. _____ to No. _____: \$ _____	[Increase] [Decrease] from previously approved Change Orders No. _____ to No. _____: Substantial completion (days): _____ Ready for final payment (days): _____
Contract Price prior to this Change Order: \$ _____	Contract Times prior to this Change Order: Substantial completion (days or date): _____ Ready for final payment (days or date): _____
[Increase] [Decrease] of this Change Order: \$ _____	[Increase] [Decrease] of this Change Order: Substantial completion (days or date): _____ Ready for final payment (days or date): _____
Contract Price incorporating this Change Order: \$ _____	Contract Times with all approved Change Orders: Substantial completion (days or date): _____ Ready for final payment (days or date): _____

RECOMMENDED: By: _____ Contractor (Authorized Signature)	APPROVED: By: _____ Colleton County Administrator, J. Kevin Griffin	APPROVED: By: _____ Colleton County Project Director: John T Stieglitz III
Date: _____	Date: _____	Date: _____

MATERIAL/PRODUCT SUBSTITUTION REQUEST

Date: _____

We hereby submit for your review, the following PRODUCT SUBSTITUTION of the specified material for the above listed project.

Section: _____

Paragraph: _____

Specified Material: _____

Attached is complete technical data of the PRODUCT SUBSTITUTION. Included is complete information on changes to the Project Manual Documents required by the proposed PRODUCT SUBSTITUTION for its proper installation.

A request constitutes a representation that Trade Contractor:

- Has investigated proposed product and determined that it meets or exceeds quality level of specified product.
- Will provide same warranty for Substitution as for specified product.
- Will coordinate installation and make changes to other work which may be required for the work to be complete with no additional cost to Owner.
- Waives claims for additional costs or time extension which may subsequently become apparent.
- Will reimburse Owner and Architect/Engineer for review or redesign services associated with re-approval by authorities having jurisdiction or additional time expended by Architect/Engineer to review information.

It is understood that if the Architect or Engineer approves an approved substitution prior to receipt of bids in accordance with the project timeline, such approval will be set forth in an addendum. Bidders shall not rely upon approvals made in any other manner. If substitution requests are not addressed in the addendum, the substitution request shall be considered not approved. Architect's or Engineers decision of approval or disapproval of proposed substitution shall be final without dispute.

THE UNDERSIGNED Trade Contractor states that the function, appearance, and quality of the PRODUCT SUBSTITUTION are equivalent or superior to the specified item. In addition, I, as the Trade Contractor will assume all responsibility for any impact or delay the review and evaluation of the alternate product may cause. Your approval of the Substitute Product in no way will relieve me as the Trade Contractor of my responsibilities to conform to all requirements of the Contract Documents.

Submitted by: _____

NOTICE OF AWARD

Dated _____

Project: Renovation of the facility located at 40 Klein Street Walterboro SC 29488. Construction consisting of restroom upgrade, new LED lighting, new hallway & door and upgraded finishes.	Project Director: Colleton County, 31 Klein Street, Walterboro, SC 29488	Architects Project No.: 1945 Owner Project Number: CPST-6.01
Contract: CPST-6.01 Magistrates Building Renovation		
Bidder:		
Bidder's Address: (send Certified Mail, Return Receipt Requested):		

You are notified that your Bid dated _____ for the above Contract has been considered. You are the Successful Bidder and are awarded a Contract for the Renovation of the Magistrates Building located at 40 Klein Street, Walterboro South Carolina

The Contract Price of your Contract is _____ (\$_____).

_____ Copies of each of the Contract Documents (except Drawings) accompany this Notice of Award.

_____ Sets of the Drawings will be delivered separately or otherwise made available to you immediately.

You must comply with the following conditions precedent within ten (0) days of the date you receive this Notice of Award.

1. Deliver to the Owner four (4) fully executed counterparts of the Contract Documents.
2. Deliver with the executed Contract Documents the Contract security [Bonds] as specified.
3. Other conditions precedent:
None

Failure to comply with these conditions within the time specified will entitle Owner to consider you in default, annul this Notice of Award and declare your Bid security forfeited.

Within seven (7) days after you comply with the above conditions, Owner will return to you one (1) fully executed counterpart of the Contract Documents.

_____ Colleton County
 Owner

By: _____
 Authorized Signature

_____ Title

Acceptance of Notice

Receipt of the above Notice of Award is hereby acknowledged by _____

On this _____ day of _____, 2020.

_____ Contractor

By: _____
 Authorized Signature

_____ Title

NOTICE TO PROCEED

Dated _____

Project: <u>Renovation of the facility located at 40 Klein Street Walterboro SC 29488. Construction consisting of restroom upgrade, new LED lighting, new hallway & door and upgraded finishes.</u>	Project Director: Colleton County, 31 Klein Street, Walterboro, SC 29488	Architects Project No.: 1945 Owner Project Number: CPST-6.01
Contract: <u>CPST-6.01 Magistrates Building Renovation</u>		
Contractor:		
Contractor's Address: [send Certified Mail, Return Receipt Requested]		

You are notified that the Contract Times under the above contract will commence to run on _____ or before that date, you are to start performing your obligations under the Contract Documents. In accordance with Article 4 of the Agreement, the date of Substantial Completion is _____ and the date of readiness for final payment is _____.

Before you may start any Work at the Site, Paragraph 2.01.B of the General Conditions provides that you and Owner must each deliver to the other (with copies to the Construction Coordinator and other identified additional insureds) certificates of insurance which each is required to purchase and maintain in accordance with the Contract Documents.

_____ Contractor	_____ Colleton County Owner
by: _____ Authorized Signature	Given by: _____ John T. Stieglitz
_____ Title	_____ Capital Projects Director Title
_____ Date	_____ Date

Colleton County
APPLICATION FOR PAYMENT

Contractor's Application for Payment No. _____

To (Owner): Colleton County, 31 Klein Street, Walterboro, SC	Application Period:	Application Date:
Owner Project Number: CPST-6.01	From (Contractor):	Via (Construction Coordinator) Doug Clark, Glick Boehm Arch.
Architects Project No.: 1945	Contractor's Project No.:	
<u>Project: Renovation of the facility located at 40 Klein Street Walterboro SC 29488. Construction consisting of restroom upgrade, new LED lighting, new hallway & door and upgraded finishes.</u>	Contract: On	
	Schedule: Yes ____ No ____	
	Original days: 90 Revised: ____ Remaining:	

Change Order Summary

Approved Change Orders				
Number	Additions	Deductions		
TOTALS				
NET CHANGE BY CHANGE ORDERS				

1. ORIGINAL CONTRACT PRICE	\$	
2. Net change by Change Orders	\$	
3. CURRENT CONTRACT PRICE (Line 1 ± 2)	\$	
4. TOTAL COMPLETED AND STORED TO DATE (Column F on Progress Estimate)	\$	
5. RETAINAGE:		
a. 10% x \$ _____ Work Completed	\$	
b. 10% x \$ _____ Stored Material	\$	
c. Total Retainage (Line 5a + Line 5b)	\$	
6. AMOUNT ELIGIBLE TO DATE (Line 4 - Line 5c).....	\$	
7. LESS PREVIOUS PAYMENTS (Line 6 from prior Application)	\$	
8. AMOUNT DUE THIS APPLICATION	\$	
9. BALANCE TO FINISH, PLUS RETAINAGE (Column G on Progress Estimate + Line 5 above)	\$	

CONTRACTOR'S CERTIFICATION

The undersigned Contractor certifies that: (1) all previous progress payments received from Owner on account of Work done under the Contract have been applied on account to discharge Contractor's legitimate obligations incurred in connection with Work covered by prior Applications for Payment; (2) title of all Work, materials and equipment incorporated in said Work or otherwise listed in or covered by this Application for Payment will pass to Owner at time of payment free and clear of all Liens, security interests and encumbrances (except such as are covered by a Bond acceptable to Owner indemnifying Owner against any such Liens, security interest or encumbrances); and (3) all Work covered by this Application for Payment is in accordance with the Contract Documents and is not defective.

Payment of: \$ _____
(Line 8 or other - attach explanation of another amount)

is recommended by: _____
Doug Clark, Glick Boehm Arch., Construction Coordinator (Date)

Payment of: \$ _____
(Line 8 or other - attach explanation of another amount)

is approved by: _____
John T. Stieglitz III, Capital Projects Director (Date)

By:	Date:	By:	Date:
-----	-------	-----	-------

Progress Estimate

Contractor's Application

For (contract): <u>CPST-6.01 Magistrates Building Renovation</u>	Application Number:
Application Period:	Application Date:

A		B	Work Completed		E	F		G
Item		Scheduled Value	C	D	Materials Presently Stored (not in C or D)	Total Completed and Stored to Date (C + D + E)	% (E) B	Balance to Finish (B - F)
Specification Section No.	Description		From Previous Application (C + D)	This Period				
Totals								

Stored Material Summary

Contractor's Application

For contract <u>CPST-6.01 Magistrates Building Renovation</u>							Application Number:		
Application Period:						Application Date:			
A	B	C	D		E		F		G
Invoice No.	Shop Drawing Transmittal No.	Materials Description	Stored Previously		Stored this Month		Incorporated in Work		Materials Remaining in Storage (\$) (D + E - F)
			Date (Month/Year)	Amount (\$)	Amount (\$)	Subtotal	Date (Month/Year)	Amount (\$)	
		Totals							

CONTRACTOR/SUBCONTRACTOR QUALIFICATIONS

PART 1 - GENERAL

1.01 The following information and completed forms may be requested by the Owner of the three (3) lowest bidders. The request will be made the day of the Bid Opening or within five (5) days following the Bid Opening. If requested, this data must be submitted to the Construction Coordinator or Owner within five (5) days of the request. Failure to provide the data in this section, upon request, will subject bidder to disqualification.

1.02 DESCRIPTION

- A. Information provided will be used by the Construction Coordinator or Owner to determine the competency and ability of the Contractor and/or Subcontractor to perform the scheduled work in a manner that is satisfactory to the Construction Coordinator or Owner. The Construction Coordinator or Owner's decision shall be final.
- B. Any Subcontractor being used by the General Contractor, whose portion of the project exceeds 5% of the total bid price amount, will be required to provide the same information as the General Contractor.
- C. The Contractor and Subcontractor shall include with this section a detailed financial statement indicating the Contractor's or Subcontractor's financial resources. The information on that statement shall be certified by a Certified Public Accountant and shall be submitted on the Associated General Contractors of America form "Standard Questionnaires and Financial Statement for Bidders".
- D. The Contractor and Subcontractor shall certify by attaching his signature to this Section as provided that all information contained herein is complete and all statements and answers are accurate and true. Providing misinformation, incomplete information, inaccurate information, or failure to certify the information, will subject bidder to disqualification.

1.03 QUALIFICATIONS

A. Complete the following for General Contractor and any Subcontractors (attach additional sheets as required):

- 1. Name: _____
- 2. Address: _____
- 3. City, State, Zip: _____
- 4. Principle: _____

B. Number of years the company has been in business: _____

C. List and describe at least five (5) projects that have been completed, that are similar in size and type, and that has been completed within the last ten (10) years:

- 1. _____

- 2. _____

- 3. _____

4. _____

5. _____

D. For the projects listed above provide the following:

1. Project Owner: _____
 Contact Name and Title: _____
 Telephone Number: _____
2. Project Owner: _____
 Contact Name and Title: _____
 Telephone Number: _____
3. Project Owner: _____
 Contact Name and Title: _____
 Telephone Number: _____
4. Project Owner: _____
 Contact Name and Title: _____
 Telephone Number: _____
5. Project Owner: _____
 Contact Name and Title: _____
 Telephone Number: _____

E. For each of the projects listed in Items C & D provide the following:

1. Original Bid Amount: _____
 Final Construction Cost: _____
 Contract Period: _____
 Actual Contract Period: _____
 Explanation: _____
2. Original Bid Amount: _____
 Final Construction Cost: _____
 Contract Period: _____
 Actual Contract Period: _____
 Explanation: _____

3. Original Bid Amount: _____
 Final Construction Cost: _____
 Contract Period: _____
 Actual Contract Period: _____
 Explanation: _____
4. Original Bid Amount: _____
 Final Construction Cost: _____
 Contract Period: _____
 Actual Contract Period: _____
 Explanation: _____
5. Original Bid Amount: _____
 Final Construction Cost: _____
 Contract Period: _____
 Actual Contract Period: _____
 Explanation: _____

F. Provide the following for any portion of the work that is being subcontracted (5% or more of the Bid Amount):

1. Name of Subcontractor: _____
 Address City/State/Zip: _____
 Telephone Number: _____
 Work being completed: _____
2. Name of Subcontractor: _____
 Address City/State/Zip: _____
 Telephone Number: _____
 Work being completed: _____
3. Name of Subcontractor: _____
 Address City/State/Zip: _____
 Telephone Number: _____
 Work being completed: _____
4. Name of Subcontractor: _____
 Address City/State/Zip: _____
 Telephone Number: _____
 Work being completed: _____
5. Name of Subcontractor: _____
 Address City/State/Zip: _____
 Telephone Number: _____
 Work being completed: _____

G. Provide a list of equipment that is owned by the Contractor and is available for this project.

H. Provide a list of equipment that will be purchased, leased or rented for this project.

I. Provide a list of the superintendent(s) or others that will be in charge of this project (Provide resumes and qualifications):

J. Provide the following for current projects being completed:

1. Project Name: _____
Owner: _____
Current Status: _____
Estimated Schedule of Completion: _____

2. Project Name: _____
Owner: _____
Current Status: _____
Estimated Schedule of Completion: _____

3. Project Name: _____
Owner: _____
Current Status: _____
Estimated Schedule of Completion: _____

4. Project Name: _____
Owner: _____
Current Status: _____
Estimated Schedule of Completion: _____

5. Project Name: _____
Owner: _____
Current Status: _____
Estimated Schedule of Completion: _____

K. Provide a list of the last five (5) projects that has been completed with the Owner over the past fifteen (15) years:

1. Project Name: _____
Contact Name and Title: _____
Telephone Number: _____

2. Project Name: _____
Contact Name and Title: _____
Telephone Number: _____

3. Project Name: _____
Contact Name and Title: _____
Telephone Number: _____

4. Project Name: _____
Contact Name and Title: _____
Telephone Number: _____

5. Project Name: _____
Contact Name and Title: _____
Telephone Number: _____

L. Provide a list of last five (5) projects that Bid with the Owner over the past fifteen (15) years:

1. Project Name: _____
Contact Name and Title: _____
Telephone Number: _____

2. Project Name: _____
Contact Name and Title: _____
Telephone Number: _____

3. Project Name: _____
Contact Name and Title: _____
Telephone Number: _____

4. Project Name: _____
Contact Name and Title: _____
Telephone Number: _____

- 5. Project Name: _____
Contact Name and Title: _____
Telephone Number: _____

M. Provide a list of projects completed with the Construction Coordinator over the past fifteen (15) years:

- 1. Project Name: _____
Project Engineer: _____
Original Bid Amount: _____
Final Construction Cost: _____
Contract Period: _____
Actual Contract Period: _____
Explanation: _____

- 2. Project Name: _____
Project Engineer: _____
Original Bid Amount: _____
Final Construction Cost: _____
Contract Period: _____
Actual Contract Period: _____
Explanation: _____

- 3. Project Name: _____
Project Engineer: _____
Original Bid Amount: _____
Final Construction Cost: _____
Contract Period: _____
Actual Contract Period: _____
Explanation: _____

- 4. Project Name: _____
Project Engineer: _____
Original Bid Amount: _____
Final Construction Cost: _____
Contract Period: _____
Actual Contract Period: _____
Explanation: _____

5. Project Name: _____
 Project Engineer: _____
 Original Bid Amount: _____
 Final Construction Cost: _____
 Contract Period: _____
 Actual Contract Period: _____
 Explanation: _____

N. Provide a list of projects involved with litigation, arbitration and/or mediation over the past twenty (20) years:

1. Project Name: _____
 Project Owner: _____
 Project Engineer: _____
 Date: _____
 Explanation: _____
2. Project Name: _____
 Project Owner: _____
 Project Engineer: _____
 Date: _____
 Explanation: _____
3. Project Name: _____
 Project Owner: _____
 Project Engineer: _____
 Date: _____
 Explanation: _____
4. Project Name: _____
 Project Owner: _____
 Project Engineer: _____
 Date: _____
 Explanation: _____
5. Project Name: _____
 Project Owner: _____
 Project Engineer: _____
 Date: _____
 Explanation: _____

O. Attach a rate schedule associated with equipment that includes labor, overhead and profit.

_____Rate Schedule Attached.

P. Additional information if necessary.

**I HEREBY CERTIFY that as a duly authorized representative of _____
_____ (Bidder), the information provided is to the best of my
knowledge accurate and that failure to provide accurate information will result in disqualification of
my bid.**

Signature

Name (Please Print)

Title

Date

Notary Public for South Carolina

My Commission Expires: _____

CPST-6.01 BID SUBMITTAL

Bids are to be submitted via email to:

Kaye B. Syfrett, Procurement Manager at ksyfrett@colletoncounty.org

=====

Bidder/Proposer

Contractor: _____

Address: _____

City: _____ State: _____ Zip: _____

Telephone Number :() _____

Authorized Signature: _____

Print name: _____

Title: _____

Email: _____

Federal Tax ID number: _____

Contractor's license number: _____

ACKNOWLEDGMENT OF PRINCIPAL, IF A PARTNERSHIP

State of: (_____) County of: (_____)

On this _____ day of _____ 20 _____ , before me personally, came and appeared _____ to me known and known to me to described in and who executed the foregoing instrument and he acknowledged to me that he executed the same as and for the act and deed of said firm.

(Seal) _____
Notary Public

ACKNOWLEDGMENT OF PRINCIPAL, IF AN INDIVIDUAL

State of: (_____) County of: (_____)

On this _____ day of _____ 20 _____ , before me personally, came and appeared _____ to me known and known to me to be the person described in and who executed the forgoing instrument and acknowledged that he executed the same.

(Seal) _____
Notary Public

Remainder of this page intentionally left blank

ACKNOWLEDGMENT OF PRINCIPAL, IF A CORPORATION

State of: (_____) County of: (_____)

On this _____ day of _____, 20 _____, before me personally, came and appeared _____ to me Known, who, being by me duly sworn, did depose and say to me that he resides at _____, that he/she is the _____ of _____ the corporation described in and which executed the foregoing instrument is an impression of such seal; that it was so affixed by the order of the directors of said corporation, and that he signed his name thereto by like order.

(Seal) _____
Notary Public

ADDENDA ACKNOWLEDGMENT CPST-6.01

The vendor has examined and carefully studied the Request for Bids and the following Addenda, receipt of all of which is hereby acknowledged:

Addendum No. _____

Addendum No _____

Addendum No. _____

Addendum No. _____

By signing the Bid Submittal Form the Contractor(s) acknowledges any and all issued addenda. Bids which fail to acknowledge the contractor's receipt of any addendum will result in the rejection of the offer if the addendum contained information which substantively changes the Owner's requirements or pricing.

REFERENCES

The contractor must list a minimum of three (3) references along with pictures of the completed work.

1. Organization: _____

Address: _____

Contact: _____

Phone Number: _____ Email address: _____

Services provided: _____

Years of Service: _____

2. Organization: _____

Address: _____

Contact: _____

Phone Number: _____ Email address: _____

Services provided: _____

Years of Service: _____

3. Organization: _____

Address: _____

Contact: _____

Phone Number: _____ Email address: _____

Services provided: _____

Years of Service: _____

DEBARMENT

The undersigned Bidder/Proposer is certifying that they are not currently debarred from responding to any request for qualifications by any agency or subdivision of the State of South Carolina or the United States Federal Government, nor are they an agent of any person or entity that is currently debarred from submitting qualifications on contracts by any agency or subdivision of the State of South Carolina or the United States Federal Government.

SAM's No. _____

Cage Code. _____

DUN's No. _____

Remainder of this page intentionally left blank

MINORITY BUSINESS CERTIFICATE:

The undersigned, having fully familiarized him/her with the information contained within this entire solicitation and applicable amendments, submits the attached response, and other applicable information to the County, which I verify to be true and correct to the best of my knowledge. I further certify that this response is made without prior understanding, agreement, or connection with any corporation, Offeror or person submitting a response for the same materials, supplies or equipment, and is in all respects, fair and without collusion or fraud. I agree to abide by all conditions set forth in this solicitation and certify that I have signature authority to bind the company listed herein.

Are you a minority business?

▶ **Yes** ____ (Women-owner _____/ _____ Disadvantaged) If yes, please submit a copy of your certificate with your response.

▶ **No** ____

Authorized Representative (Signature)

Date

Authorized Representative/Title (Print or Type)

Remainder of this page intentionally left blank

INDEMNIFICATION

The undersigned Bidder/Proposer will indemnify and hold harmless the Owner, Colleton County and their agents and employees from and against all claims, damages, losses and expenses, including attorney’s fees, arising out of or resulting from the performance of the Work provided that any such claims, damages, loss, or expense is attributable to bodily injury, sickness, disease or death, injury to or destruction of tangible property, including the loss of use resulting there from, and is caused by any negligent or willful act or omission of the Bidder/Proposer, and anyone directly or indirectly employed by him/her or anyone for whose acts any of them may be liable.

In any and all claims against the Owner, Colleton County or any of their agents and / or employees by an employee of the Bidder/Proposer, and anyone directly or indirectly employed by any of them, or anyone for whose acts any of them may be liable, the indemnification obligation shall not be limited in any way to the amount or type of damages, compensation or benefits payable by or for the Bidder / Proposer under the Worker’s Compensation Acts, Disability Benefit Acts, or other employee benefit acts.

The obligation of the Bidder/Proposer under this paragraph shall not extend to the liability of Colleton County or its agents and/or employees arising out of the reports, surveys, Change Orders, designs or Technical Specifications.

LIST OF PRIME AND SUBCONTRACTORS

The undersigned Bidder/Proposer states that the following is a full and complete list of proposed prime contractors and subcontractors on this Project and the class of work to be performed by each, and that such list will not be added to nor altered without the written consent of the Owner.

Class of Work to be Performed		Subcontractor
1)	Electrical	_____
2)	Mechanical	_____
3)	Plumbing	_____
4)	Architectural	_____
5)	Painting	_____

Listed subcontractors must meet all qualifications including documented experience set forth in specifications, including those sections specifying single source contractor requirements.

BID BOND

Any singular reference to Bidder, Surety, Owner, or other party shall be considered plural where applicable.

BIDDER (Name and Address): _____

SURETY (Name and Address of Principal Place of Business): _____

OWNER (Name and Address): Colleton County
109 Benson Street
Walterboro, SC 29488

Bid Number: **CPST-6.01**

Bid Due Date: **Tuesday, September 22, 2020 at 11:00am**

Project (Brief Description Including Location): **Renovation of the facility located at 40 Klein Street, Walterboro, SC 29488. Construction consisting of restroom upgrade, new LED lighting, new hallway & door and upgraded finishes.**

Bond Number: _____

Date (Not later than Bid due date): _____

Penal sum _____ (Words) _____ (Figures)

Surety and Bidder, intending to be legally bound hereby, subject to the terms printed on the reverse side hereof, do each because this Bid Bond to be duly executed on its behalf by its authorized officer, agent, or representative.

BIDDER

SURETY

Bidder's Name and Corporate Seal (Seal)

Surety's Name and Corporate Seal (Seal)

By: _____
Signature and Title

By: _____
Signature and Title
(Attach Power of Attorney)

Attest: _____
Signature and Title

Attest: _____
Signature and Title

1. Bidder and Surety, jointly and severally, bind themselves, their heirs, executors, administrators, successors and assigns to pay to Owner upon default of Bidder the penal sum set forth on the face of this Bond. Payment of the penal sum is the extent of Surety's liability.
2. Default of Bidder shall occur upon the failure of Bidder to deliver within the time required by the Bidding Documents (or any extension thereof agreed to in writing by Owner) the executed Agreement required by the Bidding Documents and any performance and payment bonds required by the Bidding Documents.
3. This obligation shall be null and void if:
 - 3.1. Owner accepts Bidder's Bid and Bidder delivers within the time required by the Bidding Documents (or any extension thereof agreed to in writing by Owner) the executed Agreement required by the Bidding Documents and any performance and payment bonds required by the Bidding Documents, or
 - 3.2. All Bids are rejected by Owner, or
 - 3.3. Owner fails to issue a Notice of Award to Bidder within the time specified in the Bidding Documents (or any extension thereof agreed to in writing by Bidder and, if applicable, consented to by Surety when required by Paragraph 5 hereof).
4. Payment under this Bond will be due and payable upon default by Bidder and within 30 calendar days after receipt by Bidder and Surety of written notice of default from Owner, which notice will be given with reasonable promptness, identifying this Bond and the Project and including a statement of the amount due.
5. Surety waives notice of any and all defenses based on or arising out of any time extension to issue Notice of Award agreed to in writing by Owner and Bidder, provided that the total time for issuing Notice of Award including extensions shall not in the aggregate exceed 120 days from Bid due date without Surety's written consent.
6. No suit or action shall be commenced under this Bond prior to 30 calendar days after the notice of default required in Paragraph 4 above is received by Bidder and Surety and in no case later than one year after Bid due date.
7. Any suit or action under this Bond shall be commenced only in a court of competent jurisdiction located in the state in which the Project is located.
8. Notices required hereunder shall be in writing and sent to Bidder and Surety at their respective addresses shown on the face of this Bond. Such notices may be sent by personal delivery, commercial courier, or by United States Registered or Certified Mail, return receipt requested, postage pre-paid, and shall be deemed to be effective upon receipt by the party concerned.
9. Surety shall cause to be attached to this Bond a current and effective Power of Attorney evidencing the authority of the officer, agent, or representative who executed this Bond on behalf of Surety to execute, seal, and deliver such Bond and bind the Surety thereby.
10. This Bond is intended to conform to all applicable statutory requirements. Any applicable requirement of any applicable statute that has been omitted from this Bond shall be deemed to be included herein as if set forth at length. If any provision of this Bond conflicts with any applicable statute, then the provision of said statute shall govern and the remainder of this Bond that is not in conflict therewith shall continue in full force and effect.
11. The term "Bid" as used herein includes a Bid, offer, or proposal as applicable.

1 - BIDDER'S ACKNOWLEDGEMENTS

- 1.01 The undersigned Bidder/Proposer, proposes and agrees, if this Bid is accepted, to enter into an Agreement/Contract with Owner as stated in the form included in the Bidding Documents to perform all Work as specified or indicated in the Bidding Documents for the prices and within the times indicated in this Bid and in accordance with the other terms and conditions of the Bidding Documents.
- 1.02 The undersigned Bidder/Proposer, having fully familiarized him/her with the information contained within this entire solicitation and applicable amendments, submits the attached response, and other applicable information to the County, which I verify to be true and correct to the best of my knowledge. I further certify that this response is made without prior understanding, agreement, or connection with any corporation, Offeror or person submitting a response for the same materials, supplies or equipment, and is in all respects, fair and without collusion or fraud. I agree to abide by all conditions set forth in this solicitation and certify that I have signature authority to bind the company listed herein.
- 1.03 Bidder accepts all of the terms and conditions of the Instructions to Bidders, including without limitation those dealing with the disposition of Bid security. This Bid will remain subject to acceptance for **ninety (90) days** after the Bid opening, or for such longer period of time that Bidder may agree to in writing upon request of Owner.
- 1.04 For additional work authorized after signing the Contract, the amount of overhead and the amount of profit to be added to base costs of labor and materials as noted in the unit price sheet shall be (10%) total for overhead and profit on work performed by the General Contractor's own forces and (15%) total on work by Subcontractors. Request of additional charges for site supervision, utilities, rentals, or administrative services will not be approved unless the additional requested work warrants adding additional days to the contract term. All request for additional work authorization shall have as an attachment, an **itemized breakdown** of the subcontractor and/or General Contractors work to be performed to include the actual quote for supplies from the general contractor or sub-contractor's suppliers. The General Contractor and sub-contractors itemized list shall have the Labor Hours, Rates, Overhead and Profit itemized. The Sub-contractor shall list as an itemized unit cost any additional labor to include the labor hours and rates associated with the requested work. The itemized list shall be shown on the subcontractor or General Contractors letter head and signed by the head officer or owner of the said company.
- 1.05 Bidder acknowledges the requirements of the Performance Bonds and Payment Bonds.

2 - BIDDER'S REPRESENTATIONS

- 2.01 In submitting this Bid, Bidder represents that:
 - A. Bidder has examined and carefully studied the Bidding Documents, the other related data identified in the Bidding Documents, and the any issued Addenda, which is hereby acknowledged with the attached Addendum form.
 - B. Bidder has visited the Site and become familiar with and is satisfied as to the general, local and Site conditions that may affect cost, progress, and performance of the Work.
 - C. Bidder is familiar with and is satisfied as to all federal, state and local Laws and Regulations that may affect cost, progress and performance of the Work.
 - D. Bidder has carefully studied all: (1) reports of explorations and tests of subsurface conditions at or contiguous to the Site and all drawings of physical conditions in or relating to existing surface or subsurface structures at or contiguous to the Site (except Underground Facilities), which have been identified in Paragraph 4.02 of General Conditions, and (2) reports and drawings of Hazardous Environmental Conditions that have been identified in Paragraph 4.06 of General Conditions.

- E. Bidder has obtained and carefully studied (or accepts the consequences for not doing so) all additional or supplementary examinations, investigations, explorations, tests, studies and data concerning conditions (surface, subsurface and Underground Facilities) at or contiguous to the Site, which may affect cost, progress, or performance of the Work or which relate to any aspect of the means, methods, techniques, sequences, and procedures of construction to be employed by Bidder, including applying the specific
- F. Means, methods, techniques, sequences, and procedures of construction expressly required by the Bidding Documents to be employed by Bidder, and safety precautions and programs incident thereto.
- G. Bidder does not consider that any further examinations, investigations, explorations, tests, studies, or data are necessary for the determination of this Bid for performance of the Work at the price(s) bid and within the times and in accordance with the other terms and conditions of the Bidding Documents.
- H. Bidder is aware of the general nature of work to be performed by Owner and others at the Site that relates to the Work as indicated in the Bidding Documents.
- I. Bidder has correlated the information known to Bidder, information and observations obtained from visits to the Site, reports and drawings identified in the Bidding Documents, and all additional examinations, investigations, explorations, tests, studies, and data with the Bidding Documents.
- J. Bidder has given the Owner written notice of all conflicts, errors, ambiguities, or discrepancies that Bidder has discovered in the Bidding Documents, and the written resolution thereof by the Owner is acceptable to Bidder.
- K. The Bidding Documents are generally sufficient to indicate and convey understanding of all terms and conditions for the performance of the Work for which this Bid is submitted.
- L. Bidder will submit written evidence of its authority to do business in the state where the Project is located not later than the date of its execution of the Agreement.

3 - FURTHER REPRESENTATIONS

3.01 Bidder further represents that:

- A. This Bid is genuine and not made in the interest of or on behalf of any undisclosed individual or entity and is not submitted in conformity with any agreement or rules of any group, association, organization or corporation.
- B. Bidder has not directly or indirectly induced or solicited any other Bidder to submit a false or sham Bid.
- C. Bidder has not solicited or induced any individual or entity to refrain from bidding.
- D. The bidder affirms that in making such Bid, neither he/she nor any company that they may represent, nor anyone in behalf of him/her or their company, directly or indirectly, has entered into any combination, collusion, undertaking or agreement with any other Bidder or Bidders to maintain the prices of said work, or any compact to prevent any other Bidder or Bidders from Bidding on said Contract or work and further affirms that such bid is made without regard or reference to any other Bidder or Proposer and without any agreement or understanding or combination either directly or indirectly with any other person or persons with reference to such Bidding in any way or manner whatsoever.
- E. Any attempt by the vendor to influence the opinion of Colleton County Staff or Colleton County Council by discussion, promotion, advertising, or misrepresentation of the submittal or purchasing process or any procedure to promote their offer will constitute a violation of the Vendor submittal conditions and will cause the vendor's submittal to be declared null and void.

4 - TIME OF COMPLETION

- 4.01 Renovation of the facility located at 40 Klein Street Walterboro SC 29488. Construction consisting of restroom upgrade, new LED lighting, new hallway & door and upgraded finishes to be completed within Ninety (90) calendar days after the Notice to Proceed has been issued.

- 4.02 Bidder accepts the provisions of the Agreement as to liquidate damages, in the event of failure to complete the Work within the Contract dates in the amount of \$500 per day for each calendar day required to complete the work in the manner and within the dates as stated in Paragraph 4.01 above.

5 - BID SUBMITTAL

5.01 This Bid submitted by:

An Individual

Name (typed or printed): _____

By: _____ (SEAL)
(Individual's signature)

Title: _____

Doing business as: _____

A Partnership

Partnership Name: _____

By: _____ (SEAL)
(Signature of general partner -- attach evidence of authority to sign)

Title: _____

Name (typed or printed): _____

A Corporation

Corporation Name: _____ (SEAL)

State of Incorporation: _____

Type (General Business, Professional, Service, Limited Liability): _____

By: _____
(Signature -- attach evidence of authority to sign)

Name (typed or printed): _____

Title: _____ (CORPORATE SEAL)

Attest _____

Date of Authorization to do business in [South Carolina] is ____/____/____.

A Joint Venture

Name of Joint Venture: _____

First Joint Ventures Name: _____ (SEAL)

By: _____

(Signature of first joint venture partner -- attach evidence of authority to sign)

Name (typed or printed): _____

Title: _____

Second Joint Ventures Name: _____ (SEAL)

By: _____

(Signature of second joint venture partner -- attach evidence of authority to sign)

Name (typed or printed): _____

Title: _____

(Each joint venture must sign. The manner of signing for each individual, partnership, and corporation that is a party to the joint venture should be in the manner indicated above.)

Bidder's Business Address _____

Telephone No.: _____ Fax No.: _____

SUBMITTED on _____, 2020.

State Contractor License No. _____

Remainder of this page intentionally left blank

6 – BASIS OF BID

BASE BID & ALTERNATE BID UNIT PRICE

Base Bid price and Alternate Bid Prices shall be for the Work as specified, and shall include all labor, supervision, administrative support, materials, equipment, accessories, shipping, preparation, insurance, testing, overhead, profit, applicable taxes, permits, fees, supervision, warranties and all other associated costs for the finished and completed Work. Bid shall include the prices for undercut soils shall include material in place, surveyed and compacted pursuant to the Contract Documents.

Contractor shall make quantity take-offs using drawings and specifications to determine quantities to his satisfaction, reporting promptly any discrepancies which may affect bidding.

The Owner shall have the right to accept Alternates in any order or combination, and to determine the low bidder on the basis of the sum of the Base Bid and Alternates accepted.

6.01 Bidder will complete the Work in accordance with the Contract Documents and the following Allowances are established for this project.

Owner’s Allowances - Renovation of the facility located at 40 Klein Street Walterboro SC 29488. Construction consisting of restroom upgrade, new LED lighting, new hallway & door and upgraded finishes.			
Unfounded issues	LS	1	\$ 5,000.00

7 - BASE BID ALTERNATES

7.01 Not Used.

Remainder of this page intentionally left blank

8 - Base Bid

8.01 BASE BID PROPOSAL: Bidder/Proposer agrees to perform all of the work described in the solicitation document CPST-6.01 to include the Specifications, General Conditions, including allowances, and items shown on the drawings, for the sum of:

_____ \$ _____
(Amount in words) (Numerical)

Submitted by: _____
Name (print) Signature

_____ Date
Company

End of Base Bid

TABLE OF CONTENTS

(2 OF 2)

DIVISION 001 – GENERAL CONDITIONS

PART 1 - DEFINITIONS AND TERMINOLOGY	4
1.01 Defined Terms	4
1.02 Terminology	7
PART 2 - PRELIMINARY MATTERS	9
2.01 Delivery of Bonds and Evidence of Insurance	9
2.02 Copies of Documents	9
2.03 Commencement of contract times; Notice to Proceed	9
2.04 Starting the Work	9
2.05 Before Starting Construction	9
2.06 Preconstruction Conference	9
2.07 Initial Acceptance of Schedules	10
PART 3 - CONTRACT DOCUMENTS: INTENT, AMENDING, REUSE.....	10
3.01 Intent	10
3.02 Referenced Standards	10
3.03 Reporting and Resolving Discrepancies	11
3.04 Amending and Supplementing Contract Documents	11
3.05 Reuse of Documents	12
3.06 Electronic Data	12
PART 4 - AVAILABILITY OF LANDS; SUBSURFACE AND PHYSICAL CONDITIONS;	
HAZARDOUS ENVIRONMENTAL CONDITIONS; REFERENCE POINTS	12
4.01 Availability of Lands	12
4.02 Subsurface and Physical Conditions	13
4.03 Differing Subsurface of Physical Conditions	13
4.04 Underground Facilities	14
4.05 Reference Points	15
4.06 Hazardous Environmental Conditions at Site	15
PART 5- BONDS AND INSURANCE	15
5.01 Performance, Payment, and Other Bonds	15
5.02 Licensed Sureties and Insurers	16
5.03 Certificates of Insurance	16
5.04 Contractor’s Liability Insurance	16
5.05 Owner’s Liability Insurance	19
5.06 Property Insurance	19
5.07 Waiver of Rights	20
5.08 Receipt and Application of Insurance Proceeds	20
5.09 Acceptance of Bonds and Insurance, Options to Replace	21
5.10 Partial Utilization, Acknowledgement of Property Insurer	21
PART 6 - CONTRACTOR’S RESPONSIBILITIES	21
6.01 Supervision and Superintendence	21
6.02 Labor; Working Hours	22
6.03 Services, Materials, and Equipment	22
6.04 Progress Schedule	22
6.05 Substitutes and “Or-Equals”	22
6.06 Concerning Subcontractors, Suppliers, and Others	25
6.07 Patent Free and Royalties	26
6.08 Permits	26
6.09 Laws and Regulations	26

6.10	Taxes	27
6.11	Use of Site and Other Areas	27
6.12	Record Documents	27
6.13	Safety Protection	28
6.14	Safety Representative	28
6.15	Hazard Communication Program	28
6.16	Emergencies	29
6.17	Shop Drawings and Samples	29
6.18	Continuing the Work	31
6.19	Contractor's General Warranty and Guarantee	31
6.20	Indemnification	32
6.21	Delegation of Professional Design Services	32
PART 7 - OTHER WORK AT THE SITE.....		33
7.01	Related Work at Site	33
7.02	Coordination	33
7.03	Legal Relationships	34
7.04	Claims Between Contractors	34
PART 8 - OWNER'S RESPONSIBILITIES.....		34
8.01	Communications to Contractor	34
8.02	Replacement of Construction Coordinator	35
8.03	Furnish Data	35
8.04	Pay When Due	35
8.05	Lands and Easements; Reports and Test	35
8.06	Insurance	35
8.07	Change Orders	35
8.08	Inspections, Test, and Approvals	35
8.09	Limitations on Owner's Responsibilities	35
8.10	Undisclosed Hazardous Environmental Conditions	35
8.11	Evidence of Financial Arrangements	35
PART 9 - CONSTRUCTION COORDINATOR'S STATUS DURING CONSTRUCTION		36
9.01	Owner's Representative	36
9.02	Visits to Site	36
9.03	Project Representative	36
9.04	Authorized Variations in Work	36
9.05	Rejecting Defective Work	37
9.06	Shop Drawings, Change Orders and Payments	37
9.07	Determinations for Unit Price Work	37
9.08	Decisions on Requirements of Contract Documents and Acceptability of Work	37
9.09	Limitations on Construction Coordinators Authority and Responsibility	38
PART 10 - CHANGES IN THE WORK; CLAIMS.....		38
10.01	Authorized Changes in Work	38
10.02	Unauthorized Changes in Work	38
10.03	Execution of Change Orders	39
10.04	Notification of Surety	39
10.05	Claims	39
PART 11 - COST OF THE WORK; ALLOWANCES; UNIT PRICE WORK.....		40
11.01	Cost of the Work	40
11.02	Allowances	42
11.03	Unit Price Work	43
PART 12 - CHANGE OF CONTRACT PRICE; CHANGE OF CONTRACT TIMES.....		43
12.01	Change of Contract Price	43
12.02	Change of Contract Times	44
12.03	Delays	44
PART 13 - TESTS AND INSPECTIONS; CORRECTION, REMOVAL OR ACCEPTANCE OF		

DEFECTIVE WORK	45
13.01 Notice of Defects	45
13.02 Access to Work	45
13.03 Test and Inspections	45
13.04 Uncovering Work	46
13.05 Owner May Stop the Work	46
13.06 Correction or Removal of Defective Work	47
13.07 Correction Period	47
13.08 Acceptance of Defective Work	48
13.09 Owner may Correct Defective Work	48
PART 14 - PAYMENTS TO CONTRACTOR AND COMPLETION	49
14.01 Schedule of Values	49
14.02 Progress Payment	49
14.03 Contractor's Warranty of Title	51
14.04 Substantial Completion	51
14.05 Partial Utilization	52
14.06 Final Inspection	53
14.07 Final Payment	53
14.08 Final Completion Delayed	54
14.09 Waiver of Claims	54
PART 15 - SUSPENSION OF WORK AND TERMINATION	54
15.01 Owner May Suspend Work	54
15.02 Owner May Terminate for Cause	55
15.03 Owner May Terminate for Convenience	56
15.04 Contractor May stop Work or Terminate	56
PART 16 - DISPUTE RESOLUTION.....	56
16.01 Methods and Procedures	56
PART 17 - MISCELLANEOUS	57
17.01 Giving Notice	57
17.02 Access to Work	57
17.03 Test and Inspections	57
17.04 Uncovering Work	57
17.05 Owner May Stop the Work	57
17.06 Computation of Times	57

END OF SECTION

DIVISION 001 – GENERAL CONDITIONS

STANDARD GENERAL CONDITIONS OF THE CONSTRUCTION CONTRACT

PART 1 - DEFINITIONS AND TERMINOLOGY

1.01 Defined Terms

- A. Wherever used in the Bidding Requirements or Contract Documents and printed with initial capital letters, the terms listed below will have the meanings indicated which are applicable to both the singular and plural thereof. In addition to terms specifically defined, terms with initial capital letters in the Contract Documents include references to identified Parts and paragraphs, and the titles of other documents or forms.
1. Addenda – Written or graphic instruments issued prior to the opening of Bids which clarify, correct, or change the Bidding Requirements or the proposed Contract Documents.
 2. Agreement – The written instrument which is evidence of the agreement between Owner and Contractor covering the Work.
 3. Application for Payment – The form acceptable to the Construction Coordinator which is to be used by Contractor during the course of the Work in requesting progress or final payments and which is to be accompanied by such supporting documentation as is required by the Contract Documents.
 4. Asbestos – Any material that contains more than one percent asbestos and is friable or is releasing asbestos fibers into the air above current action levels established by the United States Occupational Safety and Health Administration.
 5. Bid – The offer or proposal of a Bidder submitted on the prescribed form setting forth the prices for the Work to be performed.
 6. Bidder – The individual or entity who submits a Bid directly to Owner.
 7. Bidding Documents – The Bidding Requirements, Contract Documents and the General Conditions (including all Addenda).
 8. Bidding Requirements – The Advertisement or Invitation to Bid, Instructions to Bidders, bid security of acceptable form, if any, and the Bid Form with any supplements.
 9. Change Order – A document recommended by the Construction Coordinator which is signed by Contractor and Owner and authorizes an addition, deletion, or revision in the Work or an adjustment in the Contract Price or the Contract Times, issued on or after the Effective Date of the Agreement.
 10. Claim – A demand or assertion by Owner or Contractor seeking an adjustment of Contract Price or Contract Times, or both, or other relief with respect to the terms of the Contract. A demand for money or services by a third party is not a Claim.
 11. Construction Coordinator - The person or firm in charge of the project. The person or firm will be selected by the owner and in some instances, the owner will self-perform, acting as the Construction Coordinator. The firm could be an Architectural Firm, Engineering Firm, or third party as so designated by the owner.

12. Contract – The entire and integrated written agreement between the Owner and Contractor including the General Conditions concerning the Work. The Contract supersedes prior negotiations, representations, or agreements, whether written or oral.
13. Contract Documents – Those items so designated in the Agreement. Only printed or hard copies of the items listed in the Agreement Are Contract Documents. Approved Shop Drawings, other Contractor's submittals, and the reports and drawings of subsurface and physical conditions are not Contract Documents.
14. Contract Price – The moneys payable by Owner to Contractor for completion of the Work in accordance with the Contract Documents as stated in the Agreement (subject to the provisions of Paragraph 11.03 in the case of Unit Price Work).
15. Contract Times – The number of days or the dates stated in the Agreement to: (i) achieve Milestones, if any, (ii) achieve Substantial Completion; and (iii) complete the Work so that it is ready for final payment as evidenced by Engineer's written recommendation of final payment.
16. Contractor – The individual or entity with whom Owner has entered into the Agreement.
17. Cost of the Work – See Paragraph 11.01.A for definition.
18. Drawings – That part of the Contract Documents prepared or approved by the Construction Coordinator which graphically shows the scope, extent, and character of the Work to be performed by Contractor. Shop Drawings and other Contractor submittals are not Drawings as so defined.
19. Effective Date of the Agreement – The date indicated in the Agreement on which it becomes effective, but if no such date is indicated, it means the date on which the Agreement is signed and delivered by the last of the two parties to sign and deliver.
20. Field Order – A written order issued by the Construction Coordinator which requires minor changes in the Work but which does not involve a change in the Contract Price or the Contract Times.
21. General Requirements – Sections of Division 1 of the Specifications. The General Requirements pertain to all sections of the Specifications.
22. Hazardous Environmental Condition – The presence at the Site of Asbestos, PCBs, Petroleum, Hazardous Waste, or Radioactive Material in such quantities or circumstances that may present a substantial danger to persons or property exposed thereto in connection with the Work.
23. Hazardous Waste – The term Hazardous Waste shall have the meaning provided in Section 1004 of the Solid Waste Disposal Act (42 USC Section 6903) as amended from time to time.
24. Laws and Regulations; Laws or Regulations – Any and all applicable laws, rules, regulations, ordinances, codes, and orders of any and all governmental bodies, agencies, authorities, and courts having jurisdiction.
25. Liens – Charges, security interests, or encumbrances upon Project funds, real property, or personal property.
26. Milestone – A principal event specified in the Contract Documents relating to an intermediate completion date or time prior to Substantial Completion of all the Work.

27. Notice of Award – The written notice by Owner to the Successful Bidder stating that upon timely compliance by the Successful Bidder with the conditions precedent listed therein, Owner will sign and deliver the Agreement.
28. Notice to Proceed – A written notice given by Owner or Construction Coordinator to Contractor fixing the date on which the Contract Times will commence to run and on which Contractor shall start to perform the Work under the Contract Documents.
29. Owner – The individual or entity with whom Contractor has entered into the Agreement and for whom the Work is to be performed.
30. PCBs – Polychlorinated biphenyls.
31. Petroleum – Petroleum, including crude oil or any fraction thereof which is liquid at standard conditions of temperature and pressure (60 degrees Fahrenheit and 14.7 pounds per square inch absolute), such as oil, petroleum, fuel oil, oil sludge, oil refuse, gasoline, kerosene, and oil mixed with other non-Hazardous Waste and crude oils.
32. Progress Schedule – A schedule, prepared and maintained by Contractor, describing the sequence and duration of the activities comprising the Contractor's plan to accomplish the Work within the Contract Times.
33. Project – The total construction of which the Work to be performed under the Contract Documents may be the whole, or a part.
34. Project Manual – The bound documentary information prepared for bidding and constructing the Work. A listing of the contents of the Project Manual, which may be bound in one or more volumes, is contained in the table(s) of contents.
35. Radioactive Material – Source, special nuclear, or byproduct material as defined by the Atomic Energy Act of 1954 (42 USC Section 2011 et seq.) as amended from time to time.
36. Related Entity – An officer, director, partner, employee, agent, consultant, or subcontractor.
37. Resident Project Representative – The authorized representative of the Construction Coordinator who may be assigned to the Site or any part thereof.
38. Samples – Physical examples of materials, equipment, or workmanship that are representative of some portion of the Work and which establish the standards by which such portion of the Work will be judged.
39. Schedule of Submittals – A schedule, prepared and maintained by Contractor, of required submittals and the time requirements to support scheduled performance of related construction activities.
40. Schedule of Values – A schedule, prepared and maintained by Contractor, allocating portions of the Contract Price to various portions of the Work and used as the basis for reviewing Contractor's Applications for Payment.
41. Shop Drawings – All drawings, diagrams, illustrations, schedules, and other data or information which are specifically prepared or assembled by or for Contractor and submitted by Contractor to illustrate some portion of the Work.
42. Site – Lands or areas indicated in the Contract Documents as being furnished by Owner upon which the Work is to be performed, including rights-of-way and easements for

access thereto, and such other lands furnished by Owner which are designated for the use of Contractor.

43. Specifications – That part of the Contract Documents consisting of written requirements for materials, equipment, systems, standards and workmanship as applied to the Work, and certain administrative requirements and procedural matters applicable thereto.
44. Subcontractor – An individual or entity having a direct contract with Contractor or with any other Subcontractor for the performance of a part of the Work at the Site.
45. Substantial Completion – The time at which the Work (or a specified part thereof) has progressed to the point where, in the opinion of the Owner, the Work (or a specified part thereof) is sufficiently complete, in accordance with the Contract Documents, so that the Work (or a specified part thereof) can be utilized for the purposes for which it is intended. The terms “substantially complete” and “substantially completed” as applied to all or part of the Work refer to Substantial Completion thereof.
46. Successful Bidder – The Bidder submitting a responsive Bid to whom Owner makes an award.
47. Supplementary Conditions – That part of the Contract Documents which amends or supplements these General Conditions.
48. Supplier – A manufacturer, fabricator, supplier, distributor, material man, or vendor having a direct contract with Contractor or with any Subcontractor to furnish materials or equipment to be incorporated in the Work by Contractor or any Subcontractor.
49. Underground Facilities – All underground pipelines, conduits, ducts, cables, wires, manholes, vaults, tanks, tunnels, or other such facilities or attachments, and any encasements containing such facilities, including those that convey electricity, gases, steam, liquid petroleum products, telephone or other communications, cable television, water, wastewater, storm water, other liquids or chemicals, or traffic or other control systems.
50. Unit Price Work – Work to be paid for on the basis of unit prices.
51. Work – The entire construction or the various separately identifiable parts thereof required to be provided under the Contract Documents. Work includes and is the result of performing or providing all labor, services, and documentation necessary to produce such construction, and furnishing, installing, and incorporating all materials and equipment into such construction, all as required by the Contract Documents.
52. Work Change Directive – A written statement to Contractor issued on or after the Effective Date of the Agreement and signed by Owner and recommended by the Construction Coordinator ordering an addition, deletion, or revision in the Work, or responding to differing or unforeseen subsurface or physical conditions under which the Work is to be performed or to emergencies. A Work Change Directive will not change the Contract Price or the Contract Times but is evidence that the parties expect that the change ordered or documented by a Work Change Directive will be incorporated in a subsequently issued Change Order following negotiations by the parties as to its effect, if any, on the Contract Price or Contract Times.
53. Warranty- Such time period as stated in the contract, which shall cover all workmanship and products installed under the contract requirements.

1.02 Terminology

- A. The following words or terms are not defined but, when used in the Bidding Requirements or Contract Documents, have the following meaning.
- B. Intent of Certain Terms or Adjectives
1. The Contract Documents include the terms “as allowed,” “as approved,” “as ordered,” “as directed” or terms of like effect or import to authorize an exercise of professional judgment by the Construction Coordinator. In addition, the adjectives “reasonable,” “suitable,” “acceptable,” “proper,” “satisfactory,” or adjectives of like effect or import are used to describe an action or determination of the Construction Coordinator as to the Work. It is intended that such exercise of professional judgment, action or determination will be solely to evaluate, in general, the Work for compliance with the requirements of and information in the Contract Documents and conformance with the design concept of the completed Project as a functioning whole as shown or indicated in the Contract Documents (unless there is a specific statement indicating otherwise). The use of any such term or adjective is not intended to and shall not be effective to assign to the Construction Coordinator any duty or authority to supervise or direct the performance of the Work or any duty or authority to undertake responsibility contrary to the provisions of Paragraph 9.09 or any other provision of the Contract Documents.
- C. Day
1. The word “day” means a calendar day of 24 hours measured from midnight to the next midnight.
 2. The wording “business day” means any day Monday thru Friday.
- D. Defective
1. The word “defective,” when modifying the word “Work,” refers to Work that is unsatisfactory, faulty, or deficient in that it:
 - a. does not conform to the Contract Documents, or
 - b. does not meet the requirements of any applicable inspection, reference standard, test, or approval referred to in the Contract Documents, or
 - c. has been damaged prior to the Construction Coordinator recommendation of final payment (unless responsibility for the protection thereof has been assumed by Owner at Substantial Completion in accordance with Paragraph 14.04 or 14.05).
- E. Furnish, Install, Perform, Provide
1. The word “furnish,” when used in connection with services, materials, or equipment, shall mean to supply and deliver said services, materials, or equipment to the Site (or some other specified location) ready for use or installation and in usable or operable condition.

2. The word “install,” when used in connection with services, materials, or equipment, shall mean to put into use or place in final position said services, materials, or equipment complete and ready for intended use.
 3. The words “perform” or “provide,” when used in connection with services, materials, or equipment, shall mean to furnish and install said services, materials, or equipment complete and ready for intended use.
 4. When “furnish,” “install,” “perform,” or “provide” is not used in connection with services, materials, or equipment in a context clearly requiring an obligation of Contractor, “provide” is implied.
- F. Unless stated otherwise in the Contract Documents, words or phrases which have a well-known technical or construction industry or trade meaning are used in the Contract Documents in accordance with such recognized meaning.

PART 2 - PRELIMINARY MATTERS

2.01 Delivery of Bonds and Evidence of Insurance

- A. When Contractor delivers the executed counterparts of the Agreement to Owner, Contractor shall also deliver to Owner such bonds as Contractor may be required to furnish.
- B. Evidence of Insurance: Before any Work at the Site is started, Contractor and Owner shall each deliver to the other, with copies to each additional insured identified in the General Conditions, certificates of insurance (and other evidence of insurance which either of them or any additional insured may reasonably request) which Contractor and Owner respectively are required to purchase and maintain in accordance with Part 5.

2.02 Copies of Documents

- A. Owner shall furnish to Contractor up to two (2) printed or hard copies of the Drawings and Project Manual. Additional copies will be furnished upon request at the cost of reproduction.

2.03 Commencement of Contract Times; Notice to Proceed

- A. The Contract Times will commence to run on the thirtieth day after the Effective Date of the Agreement or, if a Notice to Proceed is given, on the day indicated in the Notice to Proceed. A Notice to Proceed may be given at any time within 30 days after the Effective Date of the Agreement. In no event, will the Contract Times commence to run later than the thirtieth day after the Effective Date of the Agreement.

2.04 Starting the Work

- A. Contractor shall start to perform the Work on the date when the Contract Times commence to run. No Work shall be done at the Site prior to the date on which the Contract Times commence to run.

2.05 Before Starting Construction

- A. *Preliminary Schedules:* Within ten (10) days after the Effective Date of the Agreement (unless otherwise specified in the General Requirements), Contractor shall submit to the Construction Coordinator for timely review:

1. a preliminary Progress Schedule; indicating the times (numbers of days or dates) for starting and completing the various stages of the Work, including any Milestones specified in the Contract Documents;
2. a preliminary Schedule of Submittals; and
3. a preliminary Schedule of Values for all of the Work which includes quantities and prices of items which when added together equal the Contract Price and subdivides the Work into component parts in sufficient detail to serve as the basis for progress payments during performance of the Work. Such prices will include an appropriate amount of overhead and profit applicable to each item of Work.

2.06 Preconstruction Conference

- A. Before any Work at the Site is started, a conference attended by Owner, Contractor, the Construction Coordinator, and others as appropriate will be held to establish a working understanding among the parties as to the Work and to discuss the schedules referred to in Paragraph 2.05.A, procedures for handling Shop Drawings and other submittals, processing Applications for Payment, and maintaining required records.

2.07 Initial Acceptance of Schedules

- A. At least ten (10) days before submission of the first Application for Payment a conference attended by Contractor, the Construction Coordinator, and others as appropriate will be held to review for acceptability to the Construction Coordinator as provided below the schedules submitted in accordance with Paragraph 2.05.A. Contractor shall have an additional ten (10) days to make corrections and adjustments and to complete and resubmit the schedules. No progress payment shall be made to Contractor until acceptable schedules are submitted to the Construction Coordinator.
 1. The Progress Schedule will be acceptable to the Construction Coordinator if it provides an orderly progression of the Work to completion within the Contract Times. Such acceptance will not impose on the Construction Coordinator responsibility for the Progress Schedule, for sequencing, scheduling, or progress of the Work nor interfere with or relieve Contractor from Contractor's full responsibility therefor.
 2. Contractor's Schedule of Submittals will be acceptable to the Construction Coordinator if it provides a workable arrangement for reviewing and processing the required submittals.
 3. Contractor's Schedule of Values will be acceptable to the Construction Coordinator as to form and substance if it provides a reasonable allocation of the Contract Price to component parts of the Work.

PART 3 – CONTRACT DOCUMENTS: INTENT, AMENDING, REUSE

3.01 Intent

- A. The Contract Documents are complementary; what is required by one is as binding as if required by all.
- B. It is the intent of the Contract Documents to describe a functionally complete Project (or part thereof) to be constructed in accordance with the Contract Documents. Any labor, documentation, services, materials, or equipment that may reasonably be inferred from the Contract Documents or from prevailing custom or trade usage as being required to produce the intended result will be provided whether or not specifically called for at no additional cost to Owner.

- C. Clarifications and interpretations of the Contract Documents shall be issued by the Construction Coordinator as provided in Part 9.

3.02 Reference Standards

- A. Standards, Specifications, Codes, Laws, and Regulations
 - 1. Reference to standards, specifications, manuals, or codes of any technical society, organization, or association, or to Laws or Regulations, whether such reference be specific or by implication, shall mean the standard, specification, manual, code, or Laws or Regulations in effect at the time of opening of Bids (or on the Effective Date of the Agreement if there were no Bids), except as may be otherwise specifically stated in the Contract Documents.
 - 2. No provision of any such standard, specification, manual or code, or any instruction of a Supplier shall be effective to change the duties or responsibilities of Owner, Contractor, or the Construction Coordinator, or any of their subcontractors, consultants, agents, employees from those set forth in the Contract Documents. No such provision or instruction shall be effective to assign to Owner, or the Construction Coordinator, or any of, their Related Entities, any duty or authority to supervise or direct the performance of the Work or any duty or authority to undertake responsibility inconsistent with the provisions of the Contract Documents.

3.03 Reporting and Resolving Discrepancies

- A. Reporting Discrepancies
 - 1. *Contractor's Review of Contract Documents Before Starting Work:* Before undertaking each part of the Work, Contractor shall carefully study and compare the Contract Documents and check and verify pertinent figures therein and all applicable field measurements. Contractor shall promptly report in writing to the Construction Coordinator any conflict, error, ambiguity, or discrepancy which Contractor may discover and shall obtain a written interpretation or clarification from the Construction Coordinator before proceeding with any Work affected thereby.
 - 2. *Contractor's Review of Contract Documents During Performance of Work:* If, during the performance of the Work, Contractor discovers any conflict, error, ambiguity, or discrepancy within the Contract Documents or between the Contract Documents and any provision of any Law or Regulation applicable to the performance of the Work or of any standard, specification, manual or code, or of any instruction of any Supplier, Contractor shall promptly report it to the Construction Coordinator in writing. Contractor shall not proceed with the Work affected thereby (except in an emergency as required by Paragraph 6.16.A) until an amendment or supplement to the Contract Documents has been issued by one of the methods indicated in Paragraph 3.04.
 - 3. Contractor shall not be liable to Owner or the Construction Coordinator for failure to report any conflict, error, ambiguity, or discrepancy in the Contract Documents unless Contractor knew or reasonably should have known thereof.
- B. Resolving Discrepancies
 - 1. Except as may be otherwise specifically stated in the Contract Documents, the provisions of the Contract Documents shall take precedence in resolving any conflict, error, ambiguity, or discrepancy between the provisions of the Contract Documents and:
 - a. the provisions of any standard, specification, manual, code, or instruction (whether or not specifically incorporated by reference in the Contract Documents); or

- b. the provisions of any Laws or Regulations applicable to the performance of the Work (unless such an interpretation of the provisions of the Contract Documents would result in violation of such Law or Regulation).

3.04 Amending and Supplementing Contract Documents

- A. The Contract Documents may be amended to provide for additions, deletions, and revisions in the Work or to modify the terms and conditions thereof by either a Change Order or a Work Change Directive.
- B. The requirements of the Contract Documents may be supplemented and minor variations and deviations in the Work may be authorized, by one or more of the following ways:
 - 1. A Field Order;
 - 2. Construction Coordinator approval of a Shop Drawing or Sample; (Subject to the provisions of Paragraph 6.17.D.3); or
 - 3. Construction Coordinator written interpretation or clarification.

3.05 Reuse of Documents

- A. Contractor and any Subcontractor or Supplier or other individual or entity performing or furnishing all of the Work under a direct or indirect contract with Contractor, shall not:
 - 1. Have or acquire any title to or ownership rights in any of the Drawings, Specifications, or other documents (or copies of any thereof) prepared by or bearing the seal of Architects, Engineer or Architects and or Engineer's consultants, including electronic media editions; or
 - 2. Reuse any of such Drawings, Specifications, other documents, or copies thereof on extensions of the Project or any other project without written consent of Owner and Architect or Engineer and specific written verification or adaption by Architect or Engineer.
- B. The prohibition of this Paragraph 3.05 will survive final payment, or termination of the Contract. Nothing herein shall preclude Contractor from retaining copies of the Contract Documents for record purposes.

3.06 Electronic Data

- A. Copies of data furnished by Owner or the Construction Coordinator to Contractor or Contractor to Owner or the Construction Coordinator that may be relied upon are limited to the printed copies (also known as hard copies). Files in electronic media format of text, data, graphics, or other types are furnished only for the convenience of the receiving party. Any conclusion or information obtained or derived from such electronic files will be at the user's sole risk. If there is a discrepancy between the electronic files and the hard copies, the hard copies govern.
- B. Because data stored in electronic media format can deteriorate or be modified inadvertently or otherwise without authorization of the data's creator, the party receiving electronic files agrees that it will perform acceptance tests or procedures within 60 days, after which the receiving party shall be deemed to have accepted the data thus transferred. Any errors detected within the 60-day acceptance period will be corrected by the transferring party.

- C. When transferring documents in electronic media format, the transferring party makes no representations as to long term compatibility, usability, or readability of documents resulting from the use of software application packages, operating systems, or computer hardware differing from those used by the data's creator.

PART 4 - AVAILABILITY OF LANDS; SUBSURFACE AND PHYSICAL CONDITIONS; HAZARDOUS ENVIRONMENTAL CONDITIONS; REFERENCE POINTS

4.01 Availability of Lands

- A. Owner shall furnish the Site. Owner shall notify Contractor of any encumbrances or restrictions not of general application but specifically related to use of the Site with which Contractor must comply in performing the Work. Owner will obtain in a timely manner and pay for easements for permanent structures or permanent changes in existing facilities. If Contractor and Owner are unable to agree on entitlement to or on the amount or extent, if any, of any adjustment in the Contract Price or Contract Times, or both, as a result of any delay in Owner's furnishing the Site or a part thereof, Contractor may make a Claim therefor as provided in Paragraph 10.05.
- B. Upon reasonable written request, Owner shall furnish Contractor with a current statement of record legal title and legal description of the lands upon which the Work is to be performed and Owner's interest therein as necessary for giving notice of or filing a mechanic's or construction lien against such lands in accordance with applicable Laws and Regulations.
- C. Contractor shall provide for all additional lands and access thereto that may be required for temporary construction facilities or storage of materials and equipment.

4.02 Subsurface and Physical Conditions

- A. Reports and Drawings: Reports of explorations and tests of subsurface conditions at or contiguous to the Site if conducted will be supplied with the specifications documents. The contractor should insure that capable soils are found for any and all compacted surfaces.

4.03 Differing Subsurface or Physical Conditions

- A. Notice: If Contractor believes that any subsurface or physical condition at or contiguous to the Site that is uncovered or revealed either:
 - 1. is of such a nature as to establish that any "technical data" on which Contractor is entitled to rely as provided in Paragraph 4.02 is materially inaccurate; or
 - 2. is of such a nature as to require a change in the Contract Documents; or
 - 3. differs materially from that shown or indicated in the Contract Documents; or
 - 4. is of an unusual nature, and differs materially from conditions ordinarily encountered and generally recognized as inherent in work of the character provided for in the Contract Documents; then Contractor shall, promptly after becoming aware thereof and before further disturbing the subsurface or physical conditions or performing any Work in connection therewith (except in an emergency as required by Paragraph 6.16.A), notify Owner and the Construction Coordinator in writing about such condition. Contractor shall not further disturb such condition or perform any Work in connection therewith (except as aforesaid) until receipt of written order to do so.
- B. Construction Coordinator Review: After receipt of written notice as required by Paragraph 4.03.A, Construction Coordinator will promptly review the pertinent condition, determine the

necessity of Owner's obtaining additional exploration or tests with respect thereto, and advise Owner in writing (with a copy to Contractor) of the Construction Coordinator findings and conclusions.

C. Possible Price and Times Adjustments

1. The Contract Price or the Contract Times, or both, will be equitably adjusted to the extent that the existence of such differing subsurface or physical condition causes an increase or decrease in Contractor's cost of, or time required for, performance of the Work; subject, however, to the following:
 - a. such condition must meet any one or more of the categories described in Paragraph 4.03.A; and
 - b. with respect to Work that is paid for on a Unit Price Basis, any adjustment in Contract Price will be subject to the provisions of Paragraphs 9.07 and 11.03.
2. Contractor shall not be entitled to any adjustment in the Contract Price or Contract Times if:
 - a. Contractor knew of the existence of such conditions at the time Contractor made a final commitment to Owner with respect to Contract Price and Contract Times by the submission of a Bid or becoming bound under a negotiated contract; or
 - b. the existence of such condition could reasonably have been discovered or revealed as a result of any examination, investigation, exploration, test, or study of the Site and contiguous areas required by the Bidding Requirements or Contract Documents to be conducted by or for Contractor prior to Contractor's making such final commitment; or
 - c. Contractor failed to give the written notice as required by Paragraph 4.03.A.
3. If Owner and Contractor are unable to agree on entitlement to or on the amount or extent, if any, of any adjustment in the Contract Price or Contract Times, or both, a Claim may be made therefor as provided in Paragraph 10.05. However, Owner and the Construction Coordinator, and any of their Related Entities shall not be liable to Contractor for any claims, costs, losses, or damages (including but not limited to all fees and charges of engineers, architects, attorneys, and other professionals and all court or arbitration or other dispute resolution costs) sustained by Contractor on or in connection with any other project or anticipated project.

4.04 Underground Facilities

- A. Shown or Indicated: The information and data shown or indicated in the Contract Documents with respect to existing Underground Facilities at or contiguous to the Site is based on information and data furnished to Owner or the Construction Coordinator by the owners of such Underground Facilities, including Owner, or by others:
 1. Owner and Construction Coordinator shall not be responsible for the accuracy or completeness of any such information or data; and
 2. The cost of all of the following will be included in the Contract Price, and Contractor shall have full responsibility for:
 - a. reviewing and checking all such information and data,
 - b. locating all Underground Facilities shown or indicated in the Contract Documents,

- c. coordination of the Work with the owners of such Underground Facilities, including Owner, during construction, and
- d. the safety and protection of all such Underground Facilities and repairing any damage thereto resulting from the Work.

B. Not Shown or Indicated

- 1. If an Underground Facility is uncovered or revealed at or contiguous to the Site which was not shown or indicated, or not shown or indicated with reasonable accuracy in the Contract Documents, Contractor shall, promptly after becoming aware thereof and before further disturbing conditions affected thereby or performing any Work in connection therewith (except in an emergency as required by Paragraph 6.16.A), identify the owner of such Underground Facility and give written notice to that owner and to Owner and the Construction Coordinator. Construction Coordinator will promptly review the Underground Facility and determine the extent, if any, to which a change is required in the Contract Documents to reflect and document the consequences of the existence or location of the Underground Facility. During such time, Contractor shall be responsible for the safety and protection of such Underground Facility.
- 2. If the Construction Coordinator concludes that a change in the Contract Documents is required, a Work Change Directive or a Change Order will be issued to reflect and document such consequences. An equitable adjustment shall be made in the Contract Price or Contract Times, or both, to the extent that they are attributable to the existence or location of any Underground Facility that was not shown or indicated or not shown or indicated with reasonable accuracy in the Contract Documents and that Contractor did not know of and could not reasonably have been expected to be aware of or to have anticipated. If Owner and Contractor are unable to agree on entitlement to or on the amount or extent, if any, of any such adjustment in Contract Price or Contract Times, Owner or Contractor may make a Claim therefor as provided in Paragraph 10.05.

4.05 Reference Points

- A. Owner shall provide engineering surveys to establish reference points for construction which in the Construction Coordinator judgment are necessary to enable Contractor to proceed with the Work. Contractor shall be responsible for laying out the Work, shall protect and preserve the established reference points and property monuments, and shall make no changes or relocations without the prior written approval of Owner. Contractor shall report to the Construction Coordinator whenever any reference point or property monument is lost or destroyed or requires relocation because of necessary changes in grades or locations, and shall be responsible for the accurate replacement or relocation of such reference points or property monuments by professionally qualified personnel.

4.06 Hazardous Environmental Condition at Site

- A. Reports: None.

PART 5 - BONDS AND INSURANCE

5.01 Performance, Payment, and Other Bonds

- A. Contractor shall furnish performance and payment bonds, each in an amount at least equal to the Contract Price as security for the faithful performance and payment of all of Contractor's obligations under the Contract Documents. These bonds shall remain in effect until one year after the date when final payment becomes due or until completion of the correction period

specified in Paragraph 13.07, whichever is later, except as provided otherwise by Laws or Regulations or by the Contract Documents. Contractor shall also furnish such other bonds as are required by the Contract Documents.

- B. All bonds shall be in the form prescribed by the Contract Documents except as provided otherwise by Laws or Regulations, and shall be executed by such sureties as are named in the current list of "Companies Holding Certificates of Authority as Acceptable Sureties on Federal Bonds and as Acceptable Reinsuring Companies" as published in Circular 570 (amended) by the Financial Management Service, Surety Bond Branch, U.S. Department of the Treasury. All bonds signed by an agent must be accompanied by a certified copy of the agent's authority to act.
- C. If the surety on any bond furnished by Contractor is declared bankrupt or becomes insolvent or its right to do business is terminated in any state where any part of the Project is located or it ceases to meet the requirements of Paragraph 5.01.B, Contractor shall promptly notify Owner and the Construction Coordinator and shall, within 20 days after the event giving rise to such notification, provide another bond and surety, both of which shall comply with the requirements of Paragraphs 5.01.B and 5.02.

5.02 Licensed Sureties and Insurers

- A. All bonds and insurance required by the Contract Documents to be purchased and maintained by Owner or Contractor shall be obtained from surety or insurance companies that are duly licensed or authorized in the jurisdiction in which the Project is located to issue bonds or insurance policies for the limits and coverages so required. Such surety and insurance companies shall also meet such additional requirements and qualifications.

5.03 Certificates of Insurance

- A. Contractor shall deliver to Owner, with copies to each additional insured, certificates of insurance (and other evidence of insurance requested by Owner or any other additional insured) which Contractor is required to purchase and maintain.
- B. Owner shall deliver to Contractor, with copies to each additional insured, certificates of insurance (and other evidence of insurance requested by Contractor or any other additional insured) which Owner is required to purchase and maintain.
- C. Failure of Owner to demand such certificates or other evidence of full compliance with these insurance requirements or failure of Owner to identify a deficiency from evidence provided shall not be construed as a waiver of Contractor's obligation to maintain such insurance.
- D. By requiring such insurance and insurance limits herein, Owner does not represent that coverage and limits will necessarily be adequate to protect contractor and such coverage and limits shall not be deemed as a limitation on Contractor's liability or the indemnities granted to Owner in the Contract Documents.

5.04 Contractor's Liability Insurance

- A. Contractor shall purchase and maintain such liability and other insurance as is appropriate for the Work being performed and as will provide protection from claims set forth below which may arise out of or result from Contractor's performance of the Work and Contractor's other obligations under the Contract Documents, whether it is to be performed by Contractor, any Subcontractor or Supplier, or by anyone directly or indirectly employed by any of them to perform any of the Work, or by anyone for whose acts any of them may be liable:

1. claims under workers' compensation, disability benefits, and other similar employee benefit acts;
 2. claims for damages because of bodily injury, occupational sickness or disease, or death of Contractor's employees;
 3. claims for damages because of bodily injury, sickness or disease, or death of any person other than Contractor's employees;
 4. claims for damages insured by reasonably available personal injury liability coverage which are sustained:
 - a. by any person as a result of an offense directly or indirectly related to the employment of such person by Contractor, or
 - b. by any other person for any other reason;
 5. claims for damages, other than to the Work itself, because of injury to or destruction of tangible property wherever located, including loss of use resulting therefrom; and
 6. claims for damages because of bodily injury or death of any person or property damage arising out of the ownership, maintenance or use of any motor vehicle.
- B. The policies of insurance required by this Paragraph 5.04 shall:
1. with respect to insurance required by Paragraphs 5.04.A.3 through 5.04.A.6 inclusive, include as additional insured (subject to any customary exclusion regarding professional liability) Owner and Construction Coordinator, and any other individuals or entities, all of whom shall be listed as additional insureds, and include coverage for the respective officers, directors, partners, employees, agents, consultants and subcontractors of each and any of all such additional insureds, and the insurance afforded to these additional insureds shall provide primary coverage for all claims covered thereby;
 2. include at least the specific coverages and be written for not less than the limits of liability provided or required by Laws or Regulations, whichever is greater;
 3. include completed operations insurance;
 4. include contractual liability insurance covering Contractor's indemnity obligations under Paragraphs 6.11 and 6.20;
 5. contain a provision or endorsement that the coverage afforded will not be canceled, materially changed or renewal refused until at least 30 days' prior written notice has been given to Owner and Contractor and to each other additional insured to whom a certificate of insurance has been issued (and the certificates of insurance furnished by the Contractor pursuant to Paragraph 5.03 will so provide);
 6. remain in effect at least until final payment and at all times thereafter when Contractor may be correcting, removing, or replacing defective Work in accordance with Paragraph 13.07; and
 7. with respect to completed operations insurance, and any insurance coverage written on a claims-made basis, remain in effect for at least two years after final payment.
 - a. Contractor shall furnish Owner and each other additional insured to whom a certificate of insurance has been issued, evidence satisfactory to Owner and any

such additional insured of continuation of such insurance at final payment and one year thereafter.

C. The limits of liability for the insurance required by Paragraph 5.04 of the General Conditions shall provide coverage for not less than the following amounts or greater where required by Laws and Regulations:

1. Workers' Compensation, and related coverages under Paragraphs 5.04.A.1 and A.2 of the General Conditions:

- a. State: South Carolina
Statutory Benefits
- b. Applicable Federal (e.g., Longshoreman's): Statutory
- c. Employer's Liability:

Each Accident	\$1,000,000
Disease-Policy Limit	\$500,000
Disease-Each Employee	\$500,000

2. Contractor's General Liability under Paragraphs 5.04.A.3 through A.6 of the General Conditions which shall include completed operations and product liability coverages and eliminate the exclusion with respect to property under the care, custody and control of Contractor and for this project only:

- a. General Aggregate \$2,000,000
- b. Products - Completed Operations Aggregate \$2,000,000
- c. Personal and Advertising Injury \$1,000,000
- d. Each Occurrence (Bodily Injury and Property Damage) \$1,000,000
- e. Fire Damage (any one (1) fire) \$50,000
- f. Medical Expense (any one (1) person) \$5,000
- g. Property Damage liability insurance will provide Explosion, Collapse, and Under-ground coverages where applicable.
- h. Excess or Umbrella Liability
 - 1) General Aggregate \$2,000,000
 - 2) Each Occurrence \$2,000,000

3. Automobile Liability under Paragraph 5.04.A.6 of the General Conditions:

- a. Include coverage for all owned, hired and non-owned automobiles.
- b. Combined Single Limit of \$1,000,000
- c. Each Occurrence \$1,000,000
- d. Limits Medical Expense \$5,000

4. The Contractual Liability coverage required by Paragraph 5.04.B.4 of the General Conditions shall provide coverage for not less than the following amounts:
 - a. Bodily Injury:

Each Accident	\$2,000,000
Annual Aggregate	\$2,000,000
 - b. Property Damage:

Each Accident	\$2,000,000
Annual Aggregate	\$2,000,000
5. Flood Insurance: The Contractor is required to carry flood insurance for projects located in designated flood hazard areas in which Federal Flood Insurance is available.

5.05 Owner’s Liability Insurance

- A. In addition to the insurance required to be provided by Contractor under Paragraph 5.04, Owner, at Owner’s option, may purchase and maintain at Owner’s expense Owner’s own liability insurance as will protect Owner against claims which may arise from operations under the Contract Documents.

5.06 Property Insurance

- A. Contractor shall purchase and maintain property insurance upon the Work at the Site in the amount of the full replacement cost thereof.
 1. This insurance shall:
 - a. includes the interests of Owner, Contractor, Subcontractors, Construction Coordinator and any other individuals or entities identified herein, and the officers, directors, partners, employees, agents and other consultants and subcontractors of any of them each of whom is deemed to have an insurable interest and shall be listed as an insured or additional insured;
 - b. in addition to the individuals and entities specified, include as additional insureds, the following:
 - c. be written on a Builder’s Risk “all-risk” or open peril or special causes of loss policy form that shall at least include insurance for physical loss and damage to the Work, temporary buildings, falsework, and materials and equipment in transit and shall insure against at least the following perils or causes of loss: fire, lightning, extended coverage, theft, vandalism and malicious mischief, earthquake, collapse, debris removal, demolition occasioned by enforcement of Laws and Regulations, water damage (other than that caused by flood), and such other perils or causes of loss as may be specifically required;
 - d. includes expenses incurred in the repair or replacement of any insured property (including but not limited to fees and charges of engineers and architects);
 - e. cover materials and equipment stored at the Site or at another location that was agreed to in writing by Owner prior to being incorporated in the Work, provided that such materials and equipment have been included in an Application for Payment recommended by the Construction Coordinator;
 - f. allows for partial utilization of the Work by Owner;
 - g. includes testing and startup; and

- B. Any insurance policy maintained by Owner covering any loss, damage or consequential loss referred to in Paragraph 5.07.B shall contain provisions to the effect that in the event of payment of any such loss, damage, or consequential loss, the insurers will have no rights of recovery against Contractor, Subcontractors, or the Construction Coordinator, and the officers, directors, partners, employees, agents, consultants and subcontractors of each and any of them.

5.08 Receipt and Application of Insurance Proceeds

- A. Any insured loss under the policies of insurance required by Paragraph 5.06 will be adjusted with Owner and made payable to Owner as fiduciary for the insureds, as their interests may appear, subject to the requirements of any applicable mortgage clause and of Paragraph 5.08.B. Owner shall deposit in a separate account any money so received and shall distribute it in accordance with such agreement as the parties in interest may reach. If no other special agreement is reached, the damaged Work shall be repaired or replaced, the moneys so received applied on account thereof, and the Work and the cost thereof covered by an appropriate Change Order.
- B. Owner as fiduciary shall have power to adjust and settle any loss with the insurers unless one of the parties in interest shall object in writing within 15 days after the occurrence of loss to Owner's exercise of this power. If such objection be made, Owner as fiduciary shall make settlement with the insurers in accordance with such agreement as the parties in interest may reach. If no such agreement among the parties in interest is reached, Owner as fiduciary shall adjust and settle the loss with the insurers and, if required in writing by any party in interest, Owner as fiduciary shall give bond for the proper performance of such duties.

5.09 Acceptance of Bonds and Insurance; Option to Replace

- A. If either Owner or Contractor has any objection to the coverage afforded by or other provisions of the bonds or insurance required to be purchased and maintained by the other party in accordance with Part 5 on the basis of nonconformance with the Contract Documents, the objecting party shall so notify the other party in writing within ten (10) days after receipt of the certificates (or other evidence requested) required by Paragraph 2.01.B. Owner and Contractor shall each provide to the other such additional information in respect of insurance provided as the other may reasonably request. If either party does not purchase or maintain all of the bonds and insurance required of such party by the Contract Documents, such party shall notify the other party in writing of such failure to purchase prior to the start of the Work, or of such failure to maintain prior to any change in the required coverage. Without prejudice to any other right or remedy, the other party may elect to obtain equivalent bonds or insurance to protect such other party's interests at the expense of the party who was required to provide such coverage, and a Change Order shall be issued to adjust the Contract Price accordingly.

5.10 Partial Utilization, Acknowledgment of Property Insurer

- A. If Owner finds it necessary to occupy or use a portion or portions of the Work prior to Substantial Completion of all the Work as provided in Paragraph 14.05, no such use or occupancy shall commence before the insurers providing the property insurance pursuant to Paragraph 5.06 have acknowledged notice thereof and in writing effected any changes in coverage necessitated thereby. The insurers providing the property insurance shall consent by endorsement on the policy or policies, but the property insurance shall not be canceled or permitted to lapse on account of any such partial use or occupancy.

PART 6 - CONTRACTOR'S RESPONSIBILITIES

6.01 Supervision and Superintendence

- A. **When working is being performed on site the superintendent must be present, without exception.**
- B. Contractor shall supervise, inspect, and direct the Work competently and efficiently, devoting such attention thereto and applying such skills and expertise as may be necessary to perform the Work in accordance with the Contract Documents. Contractor shall be solely responsible for the means, methods, techniques, sequences, and procedures of construction. Contractor shall not be responsible for the negligence of Owner or the Construction Coordinator in the design or specification of a specific means, method, technique, sequence, or procedure of construction which is shown or indicated in and expressly required by the Contract Documents.
- C. **At all times during the progress of the Work, Contractor shall assign a competent resident superintendent** who shall not be replaced without written notice to Owner and the Construction Coordinator except under extraordinary circumstances. The superintendent will be Contractor's representative at the Site and shall have authority to act on behalf of Contractor. All communications given to or received from the superintendent shall be binding on Contractor.

6.02 Labor; Working Hours

- A. Contractor shall provide competent, suitably qualified personnel to survey and lay out the Work and perform construction as required by the Contract Documents. Contractor shall at all times maintain good discipline and order at the Site.
- B. Except as otherwise required for the safety or protection of persons or the Work or property at the Site or adjacent thereto, and except as otherwise stated in the Contract Documents, all Work at the Site shall be performed on business days during regular working hours. Contractor will not permit the performance of Work on a Saturday, Sunday, or any legal holiday without Owner's written consent (which will not be unreasonably withheld) given after prior written notice to the Construction Coordinator.

6.03 Services, Materials, and Equipment

- A. Unless otherwise specified in the Contract Documents, Contractor shall provide and assume full responsibility for all services, materials, equipment, labor, transportation, construction equipment and machinery, tools, appliances, fuel, power, light, heat, telephone, water, sanitary facilities, temporary facilities, and all other facilities and incidentals necessary for the performance, testing, startup, and completion of the Work.
- B. All materials and equipment incorporated into the Work shall be as specified or, if not specified, shall be of good quality and new, except as otherwise provided in the Contract Documents. All special warranties and guarantees required by the Specifications shall expressly run to the benefit of Owner. If required by the Construction Coordinator, Contractor shall furnish satisfactory evidence (including reports of required tests) as to the source, kind, and quality of materials and equipment.
- C. All materials and equipment shall be stored, applied, installed, connected, erected, protected, used, cleaned, and conditioned in accordance with instructions of the applicable Supplier, except as otherwise may be provided in the Contract Documents.

6.04 Progress Schedule

- A. Contractor shall adhere to the Progress Schedule established in accordance with Paragraph 2.07 as it may be adjusted from time to time as provided below.

1. Contractor shall submit to the Construction Coordinator for acceptance (to the extent indicated in Paragraph 2.07) proposed adjustments in the Progress Schedule that will not result in changing the Contract Times. Such adjustments will comply with any provisions of the General Requirements applicable thereto.
2. Proposed adjustments in the Progress Schedule that will change the Contract Times shall be submitted in accordance with the requirements of Part 12. Adjustments in Contract Times may only be made by a Change Order.
3. The Project Schedule shall be updated and submitted with each Application for Payment. Applications for payment will not be processed without the updated Project Schedule.

6.05 Substitutes and “Or-Equals”

A. Whenever an item of material or equipment is specified or described in the Contract Documents by using the name of a proprietary item or the name of a particular Supplier, the specification or description is intended to establish the type, function, appearance, and quality required. Unless the specification or description contains or is followed by words reading that no like, equivalent, or “or-equal” item or no substitution is permitted, other items of material or equipment or material or equipment of other Suppliers may be submitted to the Construction Coordinator for review under the circumstances described below.

1. “Or-Equal” Items: If in the Construction Coordinators sole discretion an item of material or equipment proposed by Contractor is functionally equal to that named and sufficiently similar so that no change in related Work will be required, it may be considered by Engineer as an “or-equal” item, in which case review and approval of the proposed item may, in Engineer’s sole discretion, be accomplished without compliance with some or all of the requirements for approval of proposed substitute items. For the purposes of this Paragraph 6.05.A.1, a proposed item of material or equipment will be considered functionally equal to an item so named if:

a. in the exercise of reasonable judgment Engineer determines that:

- 1) it is at least equal in materials of construction, quality, durability, appearance, strength, and design characteristics;
- 2) it will reliably perform at least equally well the function and achieve the results imposed by the design concept of the completed Project as a functioning whole,
- 3) it has a proven record of performance and availability of responsive service; and

b. Contractor certifies that, if approved and incorporated into the Work:

- 1) there will be no increase in cost to the Owner or increase in Contract Times, and
- 2) it will conform substantially to the detailed requirements of the item named in the Contract Documents.

2. Substitute Items

a. If in the Construction Coordinators sole discretion an item of material or equipment proposed by Contractor does not qualify as an “or-equal” item under Paragraph 6.05.A.1, it will be considered a proposed substitute item.

b. Contractor shall submit sufficient information as provided below to allow the Construction Coordinator to determine that the item of material or equipment proposed is essentially equivalent to that named and an acceptable substitute

therefor. Requests for review of proposed substitute items of material or equipment will not be accepted by the Construction Coordinator from anyone other than Contractor.

- c. The requirements for review by the Construction Coordinator will be as set forth in Paragraph 6.05.A.2.d, as supplemented in the General Requirements and as the Construction Coordinator may decide is appropriate under the circumstances.
 - d. Contractor shall make written application to the Construction Coordinator for review of a proposed substitute item of material or equipment that Contractor seeks to furnish or use. The application:
 - 1) shall certify that the proposed substitute item will:
 - a) perform adequately the functions and achieve the results called for by the general design,
 - b) be similar in substance to that specified, and
 - c) be suited to the same use as that specified;
 - 2) will state:
 - a) the extent, if any, to which the use of the proposed substitute item will prejudice Contractor's achievement of Substantial Completion on time;
 - b) whether or not use of the proposed substitute item in the Work will require a change in any of the Contract Documents (or in the provisions of any other direct contract with Owner for other work on the Project) to adapt the design to the proposed substitute item; and
 - c) whether or not incorporation or use of the proposed substitute item in connection with the Work is subject to payment of any license fee or royalty;
 - 3) will identify:
 - a) all variations of the proposed substitute item from that specified, and
 - b) available engineering, sales, maintenance, repair, and replacement services;
 - 4) and shall contain an itemized estimate of all costs or credits that will result directly or indirectly from use of such substitute item, including costs of redesign and claims of other contractors affected by any resulting change,
- B. Substitute Construction Methods or Procedures: If a specific means, method, technique, sequence, or procedure of construction is expressly required by the Contract Documents, Contractor may furnish or utilize a substitute means, method, technique, sequence, or procedure of construction approved by the Construction Coordinator. Contractor shall submit sufficient information to allow the Construction Coordinator, in the Construction Coordinator's sole discretion, to determine that the substitute proposed is equivalent to that expressly called for by the Contract Documents. The requirements for review by the Construction Coordinator will be similar to those provided in Paragraph 6.05.A 2.
- C. Construction Coordinator Evaluation: The Construction Coordinator will be allowed a reasonable time within which to evaluate each proposal or submittal made pursuant to Paragraphs 6.05.A and 6.05.B. The Construction Coordinator may require Contractor to furnish additional data about the proposed substitute item. The Construction Coordinator will

be the sole judge of acceptability. No “or equal” or substitute will be ordered, installed or utilized until the Construction Coordinator’s review is complete, which will be evidenced by either a Change Order for a substitute or an approved Shop Drawing for an “or-equal.” The Construction Coordinator will advise Contractor in writing of any negative determination.

- D. Special Guarantee: Owner may require Contractor to furnish at Contractor’s expense a special performance guarantee or other surety with respect to any substitute.
- E. Cost Reimbursement: The Construction Coordinator will record the Architect or Engineer’s costs in evaluating a substitute proposed or submitted by Contractor pursuant to Paragraphs 6.05.A.2 and 6.05.B Whether or not the Construction Coordinator approves a substitute item so proposed or submitted by Contractor, Contractor shall reimburse Owner for the charges of the Architect or Engineer for evaluating each such proposed substitute. Contractor shall also reimburse Owner for the charges of the Architect or Engineer for making changes in the Contract Documents (or in the provisions of any other direct contract with Owner) resulting from the acceptance of each proposed substitute.
- F. Contractor’s Expense: Contractor shall provide all data in support of any proposed substitute or “or-equal” at Contractor’s expense.

6.06 Concerning Subcontractors, Suppliers, and Others

- A. Contractor shall not employ any Subcontractor, Supplier, or other individual or entity (including those acceptable to Owner as indicated in Paragraph 6.06.B), whether initially or as a replacement, against whom Owner may have reasonable objection. Contractor shall not be required to employ any Subcontractor, Supplier, or other individual or entity to furnish or perform any of the Work against whom Contractor has reasonable objection.
- B. The identity of certain Subcontractors, Suppliers, or other individuals or entities to be submitted to Owner in advance for acceptance by Owner by a specified date prior to the Effective Date of the Agreement, and if Contractor has submitted a list thereof, Owner’s acceptance (either in writing or by failing to make written objection thereto by the date indicated for acceptance or objection in the Bidding Documents or the Contract Documents) of any such Subcontractor, Supplier, or other individual or entity so identified may be revoked on the basis of reasonable objection after due investigation. Contractor shall submit an acceptable replacement for the rejected Subcontractor, Supplier, or other individual or entity, and the Contract Price will be adjusted by the difference in the cost occasioned by such replacement, and an appropriate Change Order will be issued. No acceptance by Owner of any such Subcontractor, Supplier, or other individual or entity, whether initially or as a replacement, shall constitute a waiver of any right of Owner or the Construction Coordinator to reject defective Work.
- C. Contractor shall be fully responsible to Owner and the Construction Coordinator for all acts and omissions of the Subcontractors, Suppliers, and other individuals or entities performing or furnishing any of the Work just as Contractor is responsible for Contractor’s own acts and omissions. Nothing in the Contract Documents:
 - 1. shall create for the benefit of any such Subcontractor, Supplier, or other individual or entity any contractual relationship between Owner or the Construction Coordinator and any such Subcontractor, Supplier or other individual or entity, nor
 - 2. shall anything in the Contract Documents create any obligation on the part of Owner or the Construction Coordinator to pay or to see to the payment of any moneys due any such Subcontractor, Supplier, or other individual or entity except as may otherwise be required by Laws and Regulations.

- D. Contractor shall be solely responsible for scheduling and coordinating the Work of Subcontractors, Suppliers, and other individuals or entities performing or furnishing any of the Work under a direct or indirect contract with Contractor.
- E. Contractor shall require all Subcontractors, Suppliers, and such other individuals or entities performing or furnishing any of the Work to communicate with the Construction Coordinator through Contractor.
- F. The divisions and sections of the Specifications and the identifications of any Drawings shall not control Contractor in dividing the Work among Subcontractors or Suppliers or delineating the Work to be performed by any specific trade.
- G. All Work performed for Contractor by a Subcontractor or Supplier will be pursuant to an appropriate agreement between Contractor and the Subcontractor or Supplier which specifically binds the Subcontractor or Supplier to the applicable terms and conditions of the Contract Documents for the benefit of Owner and Construction Coordinator. Whenever any such agreement is with a Subcontractor or Supplier who is listed as an additional insured on the property insurance provided in Paragraph 5.06, the agreement between the Contractor and the Subcontractor or Supplier will contain provisions whereby the Subcontractor or Supplier waives all rights against Owner, Contractor, and Construction Coordinator, and all other individuals or entities to be listed as insureds or additional insureds (and the officers, directors, partners, employees, agents, consultants and subcontractors of each and any of them) for all losses and damages caused by, arising out of, relating to, or resulting from any of the perils or causes of loss covered by such policies and any other property insurance applicable to the Work. If the insurers on any such policies require separate waiver forms to be signed by any Subcontractor or Supplier, Contractor will obtain the same.
- H. Owner or Construction Coordinator may furnish to any Subcontractor or Supplier, to the extent practicable, information about amounts paid to Contractor on account of Work performed for Contractor by a particular Subcontractor or Supplier.

6.07 Patent Fees and Royalties

- A. Contractor shall pay all license fees and royalties and assume all costs incident to the use in the performance of the Work or the incorporation in the Work of any invention, design, process, product, or device which is the subject of patent rights or copyrights held by others. If a particular invention, design, process, product, or device is specified in the Contract Documents for use in the performance of the Work and if to the actual knowledge of Owner or Construction Coordinator its use is subject to patent rights or copyrights calling for the payment of any license fee or royalty to others, the existence of such rights shall be disclosed by Owner in the Contract Documents.
- B. To the fullest extent permitted by Laws and Regulations, Contractor shall indemnify and hold harmless Owner and Construction Coordinator, and the officers, directors, partners, employees, agents, consultants and subcontractors of each and any of them from and against all claims, costs, losses, and damages (including but not limited to all fees and charges of engineers, architects, attorneys, and other professionals and all court or arbitration or other dispute resolution costs) arising out of or relating to any infringement of patent rights or copyrights incident to the use in the performance of the Work or resulting from the incorporation in the Work of any invention, design, process, product, or device not specified in the Contract Documents.

6.08 Permits

- A. Contractor shall obtain and pay for all construction permits and licenses. Contractor shall pay all governmental charges and inspection fees necessary for the Work which are applicable at the time of opening of Bids, or, if there are no Bids, on the Effective Date of the Agreement.

6.09 Laws and Regulations

- A. Contractor shall give all notices required by and shall comply with all Laws and Regulations applicable to the performance of the Work. Except where otherwise expressly required by applicable Laws and Regulations, neither Owner nor Construction Coordinator shall be responsible for monitoring Contractor's compliance with any Laws or Regulations.
- B. If Contractor performs any Work knowing or having reason to know that it is contrary to Laws or Regulations, Contractor shall bear all claims, costs, losses, and damages (including but not limited to all fees and charges of engineers, architects, attorneys, and other professionals and all court or arbitration or other dispute resolution costs) arising out of or relating to such Work. However, it shall not be Contractor's primary responsibility to make certain that the Specifications and Drawings are in accordance with Laws and Regulations, but this shall not relieve Contractor of Contractor's obligations under Paragraph 3.03.
- C. Changes in Laws or Regulations not known at the time of opening of Bids (or, on the Effective Date of the Agreement if there were no Bids) having an effect on the cost or time of performance of the Work shall be the subject of an adjustment in Contract Price or Contract Times. If Owner and Contractor are unable to agree on entitlement to or on the amount or extent, if any, of any such adjustment, a Claim may be made therefor as provided in Paragraph 10.05.

6.10 Taxes

- A. Contractor shall pay all sales, consumer, use, and other similar taxes required to be paid by Contractor in accordance with the Laws and Regulations of the place of the Project which are applicable during the performance of the Work.

6.11 Use of Site and Other Areas

- A. Limitation on Use of Site and Other Areas
 - 1. Contractor shall confine construction equipment, the storage of materials and equipment, and the operations of workers to the Site and other areas permitted by Laws and Regulations and shall not unreasonably encumber the Site and other areas with construction equipment or other materials or equipment. Contractor shall assume full responsibility for any damage to any such land or area, or to the owner or occupant thereof, or of any adjacent land or areas resulting from the performance of the Work.
 - 2. Should any claim be made by any such owner or occupant because of the performance of the Work, Contractor shall promptly settle with such other party by negotiation or otherwise resolve the claim by arbitration or other dispute resolution proceeding or at law.
 - 3. To the fullest extent permitted by Laws and Regulations, Contractor shall indemnify and hold harmless Owner and Construction Coordinator, and the officers, directors, partners, employees, agents, consultants and subcontractors of each and any of them from and against all claims, costs, losses, and damages (including but not limited to all fees and charges of engineers, architects, attorneys, and other professionals and all court or arbitration or other dispute resolution costs) arising out of or relating to any claim or action, legal or equitable, brought by party against Owner, Construction Coordinator, or any other party indemnified hereunder to the extent caused by or based upon Contractor's performance of the Work.
- B. *Removal of Debris During Performance of the Work:* During the progress of the Work Contractor shall keep the Site and other areas free from accumulations of waste materials,

rubbish, and other debris. Removal and disposal of such waste materials, rubbish, and other debris shall conform to applicable Laws and Regulations.

- C. *Cleaning*: Prior to Substantial Completion of the Work, Contractor shall clean the Site and the Work and make it ready for utilization by Owner. At the completion of the Work, Contractor shall remove from the Site all tools, appliances, construction equipment and machinery, and surplus materials and shall restore to original condition all property not designated for alteration by the Contract Documents.
- D. *Loading Structures*: Contractor shall not load nor permit any part of any structure to be loaded in any manner that will endanger the structure, nor shall Contractor subject any part of the Work or adjacent property to stresses or pressures that will endanger it.

6.12 Record Documents

- A. Contractor shall maintain in a safe place at the Site one record copy of all Drawings, Specifications, Addenda, Change Orders, Work Change Directives, Field Orders, and written interpretations and clarifications in good order and annotated to show changes made during construction. These record documents together with all approved Samples and a counterpart of all approved Shop Drawings will be available to Construction Coordinator for reference. Upon completion of the Work, these record documents, Samples, and Shop Drawings will be delivered to Construction Coordinator for Owner in digital format as an as-built file.

6.13 Safety and Protection

- A. Contractor shall be solely responsible for initiating, maintaining and supervising all safety precautions and programs in connection with the Work. Contractor shall take all necessary precautions for the safety of, and shall provide the necessary protection to prevent damage, injury or loss to:
 - 1. all persons on the Site or who may be affected by the Work;
 - 2. all the Work and materials and equipment to be incorporated therein, whether in storage on or off the Site; and
 - 3. other property at the Site or adjacent thereto, including trees, shrubs, lawns, walks, pavements, roadways, structures, utilities, and Underground Facilities not designated for removal, relocation, or replacement in the course of construction.
- B. Contractor shall comply with all applicable Laws and Regulations relating to the safety of persons or property, or to the protection of persons or property from damage, injury, or loss; and shall erect and maintain all necessary safeguards for such safety and protection. Contractor shall notify owners of adjacent property and of Underground Facilities and other utility owners when prosecution of the Work may affect them, and shall cooperate with them in the protection, removal, relocation, and replacement of their property.
- C. All damage, injury, or loss to any property referred to in Paragraph 6.13.A.2 or 6.13.A.3 caused, directly or indirectly, in whole or in part, by Contractor, any Subcontractor, Supplier, or any other individual or entity directly or indirectly employed by any of them to perform any of the Work, or anyone for whose acts any of them may be liable, shall be remedied by Contractor (except damage or loss attributable to the fault of Drawings or Specifications or to the acts or omissions of Owner or Construction Coordinator or , or anyone employed by any of them, or anyone for whose acts any of them may be liable, and not attributable, directly or indirectly, in whole or in part, to the fault or negligence of Contractor or any Subcontractor, Supplier, or other individual or entity directly or indirectly employed by any of them).

- D. Contractor's duties and responsibilities for safety and for protection of the Work shall continue until such time as all the Work is completed and Construction Coordinator has issued a notice to Owner and Contractor in accordance with Paragraph 14.07.B that the Work is acceptable (except as otherwise expressly provided in connection with Substantial Completion).

6.14 Safety Representative

- A. Contractor shall designate a qualified and experienced safety representative at the Site whose duties and responsibilities shall be the prevention of accidents and the maintaining and supervising of safety precautions and programs.

6.15 Hazard Communication Programs

- A. Contractor shall be responsible for coordinating any exchange of material safety data sheets or other hazard communication information required to be made available to or exchanged between or among employers at the Site in accordance with Laws or Regulations. All MSDS Sheets shall be kept on site in good order as outlined in OSHA, laws, rules and regulations.

6.16 Emergencies

- A. In emergencies affecting the safety or protection of persons or the Work or property at the Site or adjacent thereto, Contractor is obligated to act to prevent threatened damage, injury, or loss. Contractor shall give Construction Coordinator prompt written notice if Contractor believes that any significant changes in the Work or variations from the Contract Documents have been caused thereby or are required as a result thereof. If Engineer determines that a change in the Contract Documents is required because of the action taken by Contractor in response to such an emergency, a Work Change Directive or Change Order will be issued.

6.17 Shop Drawings and Samples

- A. Contractor shall submit Shop Drawings and Samples to Construction Coordinator for review and approval in accordance with the acceptable Schedule of Submittals (as required by Paragraph 2.07). Each submittal will be identified as Construction Coordinator may require.

- 1. Shop Drawings

- a. Submit number of copies specified in the General Requirements.
- b. Data shown on the Shop Drawings will be complete with respect to quantities, dimensions, specified performance and design criteria, materials, and similar data to show Construction Coordinator the services, materials, and equipment Contractor proposes to provide and to enable Engineer to review the information for the limited purposes required by Paragraph 6.17.D.

- 2. Samples: Contractor shall also submit Samples to Construction Coordinator for review and approval in accordance with the acceptable schedule of Shop Drawings and Sample submittals.

- a. Submit number of Samples specified in the Specifications.
- b. Clearly identify each Sample as to material, Supplier, pertinent data such as catalog numbers, the use for which intended and other data as Construction Coordinator may require to enable Construction Coordinator to review the submittal for the limited purposes required by Paragraph 6.17.D.

- B. Where a Shop Drawing or Sample is required by the Contract Documents or the Schedule of Submittals, any related Work performed prior to Construction Coordinator's review and

approval of the pertinent submittal will be at the sole expense and responsibility of Contractor.

C. Submittal Procedures

1. Before submitting each Shop Drawing or Sample, Contractor shall have determined and verified:
 - a. all field measurements, quantities, dimensions, specified performance and design criteria, installation requirements, materials, catalog numbers, and similar information with respect thereto;
 - b. the suitability of all materials with respect to intended use, fabrication, shipping, handling, storage, assembly, and installation pertaining to the performance of the Work;
 - c. all information relative to Contractor's responsibilities for means, methods, techniques, sequences, and procedures of construction, and safety precautions and programs incident thereto; and
 - d. shall also have reviewed and coordinated each Shop Drawing or Sample with other Shop Drawings and Samples and with the requirements of the Work and the Contract Documents.
2. Each submittal shall bear a stamp or specific written certification that Contractor has satisfied Contractor's obligations under the Contract Documents with respect to Contractor's review and approval of that submittal.
3. With each submittal, Contractor shall give Construction Coordinator specific written notice of any variations, that the Shop Drawing or Sample may have from the requirements of the Contract Documents. This notice shall be both a written communication separated from the Shop Drawing's or Sample Submittal; and, in addition, by a specific notation made on each Shop Drawing or Sample submitted to Construction Coordinator for review and approval of each such variation.

D. Construction Coordinator's Review

1. Construction Coordinator will provide timely review of Shop Drawings and Samples in accordance with the Schedule of Submittals acceptable to Construction Coordinator. Construction Coordinator's review and approval will be only to determine if the items covered by the submittals will, after installation or incorporation in the Work, conform to the information given in the Contract Documents and be compatible with the design concept of the completed Project as a functioning whole as indicated by the Contract Documents.
2. Construction Coordinator's review and approval will not extend to means, methods, techniques, sequences, or procedures of construction (except where a particular means, method, technique, sequence, or procedure of construction is specifically and expressly called for by the Contract Documents) or to safety precautions or programs incident thereto. The review and approval of a separate item as such will not indicate approval of the assembly in which the item functions.
3. Construction Coordinator's review and approval shall not relieve Contractor from responsibility for any variation from the requirements of the Contract Documents unless Contractor has complied with the requirements of Paragraph 6.17.C.3 and Construction Coordinator has given written approval of each such variation by specific written notation thereof incorporated in or accompanying the Shop Drawing or Sample. Construction

Coordinator's review and approval shall not relieve Contractor from responsibility for complying with the requirements of Paragraph 6.17.C 1.

E. Resubmittal Procedures

1. Contractor shall make corrections required by Construction Coordinator and shall return the required number of corrected copies of Shop Drawings and submit, as required, new Samples for review and approval. Contractor shall direct specific attention in writing to revisions other than the corrections called for by the Construction Coordinator on previous submittals.
- F. Contractor shall furnish required submittals with sufficient information and accuracy in order to obtain required approval of an item with no more than three (3) submittals. Construction Coordinator will record the Architect or Engineer's time for reviewing subsequent submittals of Shop Drawings, samples or other items requiring approval and Contractor shall reimburse Owner for the Architect or Engineer's charges for such time.
- G. In the event that Contractor requests a substitution for a previously approved item, Contractor shall reimburse Owner for the Architect or Engineer's charges for such time unless the need for such substitution is beyond the control of Contractor.

6.18 Continuing the Work

- A. Contractor shall carry on the Work and adhere to the Progress Schedule during all disputes or disagreements with Owner. No Work shall be delayed or postponed pending resolution of any disputes or disagreements, except as permitted by Paragraph 15.04 or as Owner and Contractor may otherwise agree in writing.

6.19 Contractor's General Warranty and Guarantee

- A. Contractor warrants and guarantees to Owner that all Work will be in accordance with the Contract Documents and will not be defective. Construction Coordinator and its Related Entities shall be entitled to rely on representation of Contractor's warranty and guarantee.
- B. Contractor's warranty and guarantee hereunder excludes defects or damage caused by:
 1. abuse, modification, or improper maintenance or operation by persons other than Contractor, Subcontractors, Suppliers, or any other individual or entity for whom Contractor is responsible; or
 2. normal wear and tear under normal usage.
- C. Contractor's obligation to perform and complete the Work in accordance with the Contract Documents shall be absolute. None of the following will constitute an acceptance of Work that is not in accordance with the Contract Documents or a release of Contractor's obligation to perform the Work in accordance with the Contract Documents:
 1. observations by Construction Coordinator;
 2. recommendation by Construction Coordinator or payment by Owner of any progress or final payment;
 3. the issuance of a certificate of Substantial Completion by Construction Coordinator or any payment related thereto by Owner;
 4. use or occupancy of the Work or any part thereof by Owner;

5. any review and approval of a Shop Drawing or Sample submittal or the issuance of a notice of acceptability by Construction Coordinator;
 6. any inspection, test, or approval by others; or
 7. any correction of defective Work by Owner.
- D. The Contractor's General Warranty and Guarantee shall be for a period of one (1) year after work has been accepted and final payment made to the Contractor. In the case of Water and Wastewater lines, the warranty period will start after acceptance of these lines into the utility provider's system for ownership, operation, and maintenance. The Contractor accepts the transference of all warranties and guarantees to the utility provider owning and operating the new lines.

6.20 Indemnification

- A. To the fullest extent permitted by Laws and Regulations, Contractor shall indemnify and hold harmless Owner and Construction Coordinator, and the officers, directors, partners, employees, agents, consultants and subcontractors of each and any of them from and against all claims, costs, losses, and damages (including but not limited to all fees and charges of engineers, architects, attorneys, and other professionals and all court or arbitration or other dispute resolution costs) arising out of or relating to the performance of the Work, provided that any such claim, cost, loss, or damage is attributable to bodily injury, sickness, disease, or death, or to injury to or destruction of tangible property (other than the Work itself), including the loss of use resulting therefrom but only to the extent caused by any negligent act or omission of Contractor, any Subcontractor, any Supplier, or any individual or entity directly or indirectly employed by any of them to perform any of the Work or anyone for whose acts any of them may be liable .
- B. In any and all claims against Owner or Construction Coordinator or any of their respective consultants, agents, officers, directors, partners, or employees by any employee (or the survivor or personal representative of such employee) of Contractor, any Subcontractor, any Supplier, or any individual or entity directly or indirectly employed by any of them to perform any of the Work, or anyone for whose acts any of them may be liable, the indemnification obligation under Paragraph 6.20.A shall not be limited in any way by any limitation on the amount or type of damages, compensation, or benefits payable by or for Contractor or any such Subcontractor, Supplier, or other individual or entity under workers' compensation acts, disability benefit acts, or other employee benefit acts.
- C. The indemnification obligations of Contractor under Paragraph 6.20.A shall not extend to the liability of Construction Coordinator and Construction Coordinator's officers, directors, partners, employees, agents, consultants and subcontractors arising out of:
 1. the preparation or approval of, or the failure to prepare or approve, maps, Drawings, opinions, reports, surveys, Change Orders, designs, or Specifications; or
 2. giving directions or instructions, or failing to give them, if that is the primary cause of the injury or damage.

6.21 Delegation of Professional Design Services

- A. Contractor will not be required to provide professional design services unless such services are specifically required by the Contract Documents for a portion of the Work or unless such services are required to carry out Contractor's responsibilities for construction means, methods, techniques, sequences and procedures. Contractor shall not be required to provide professional services in violation of applicable law.

- B. If professional design services or certifications by a design professional related to systems, materials or equipment are specifically required of Contractor by the Contract Documents, Owner and Construction Coordinator will specify all performance and design criteria that such services must satisfy. Contractor shall cause such services or certifications to be provided by a properly licensed professional, whose signature and seal shall appear on all drawings, calculations, specifications, certifications, Shop Drawings and other submittals prepared by such professional. Shop Drawings and other submittals related to the Work designed or certified by such professional, if prepared by others, shall bear such professional's written approval when submitted to Construction Coordinator.
- C. Owner and Construction Coordinator shall be entitled to rely upon the adequacy, accuracy and completeness of the services, certifications or approvals performed by such design professionals, provided Owner and Construction Coordinator have specified to Contractor all performance and design criteria that such services must satisfy.
- D. Pursuant to this Paragraph 6.21, Construction Coordinator's review and approval of design calculations and design drawings will be only for the limited purpose of checking for conformance with performance and design criteria given and the design concept expressed in the Contract Documents. Construction Coordinator's review and approval of Shop Drawings and other submittals (except design calculations and design drawings) will be only for the purpose stated in Paragraph 6.17.D 1.
- E. Contractor shall not be responsible for the adequacy of the performance or design criteria required by the Contract Documents.

PART 7 - OTHER WORK AT THE SITE

7.01 Related Work at Site

- A. Owner may perform other work related to the Project at the Site with Owner's employees or via other direct contracts therefor, or have other work performed by utility owners. If such other work is not noted in the Contract Documents.
- B. Contractor shall afford each other contractor who is a party to such a direct contract, each utility owner and Owner, if Owner is performing other work with Owner's employees, proper and safe access to the Site, a reasonable opportunity for the introduction and storage of materials and equipment and the execution of such other work, and shall properly coordinate the Work with theirs. Contractor shall do all cutting, fitting, and patching of the Work that may be required to properly connect or otherwise make its several parts come together and properly integrate with such other work. Contractor shall not endanger any work of others by cutting, excavating, or otherwise altering their work and will only cut or alter their work with the written consent of Construction Coordinator and the others whose work will be affected. The duties and responsibilities of Contractor under this Paragraph are for the benefit of such utility owners and other contractors to the extent that there are comparable provisions for the benefit of Contractor in said direct contracts between Owner and such utility owners and other contractors.
- C. If the proper execution or results of any part of Contractor's Work depends upon work performed by others under this Part 7, Contractor shall inspect such other work and promptly report to Construction Coordinator in writing any delays, defects, or deficiencies in such other work that render it unavailable or unsuitable for the proper execution and results of Contractor's Work. Contractor's failure to so report will constitute an acceptance of such other work as fit and proper for integration with Contractor's Work except for latent defects and deficiencies in such other work.

7.02 Coordination

- A. If Owner intends to contract with others for the performance of other work on the Project at the Site, the following will be set forth:
 - 1. the individual or entity who will have authority and responsibility for coordination of the activities among the various contractors will be identified;
 - 2. the specific matters to be covered by such authority and responsibility will be itemized; and
 - 3. the extent of such authority and responsibilities will be provided.
- B. Owner shall have sole authority and responsibility for such coordination.

7.03 Legal Relationships

- A. Paragraphs 7.01.A and 7.02 are not applicable for utilities not under the control of Owner.
- B. Each other direct contract of Owner under Paragraph 7.01.A shall provide that the other contractor is liable to Owner and Contractor for the reasonable direct delay and disruption costs incurred by Contractor as a result of the other contractor's actions or inactions.
- C. Contractor shall be liable to Owner and any other contractor for the reasonable direct delay and disruption costs incurred by such other contractor as a result of Contractor's action or inactions.

7.04 Claims Between Contractors

- A. Should Contractor cause damage to the work or property of any other contractor at the Site, or should any claim arising out of Contractor's performance of the Work at the Site be made by any other contractor against Contractor, Owner, Construction Coordinator, or Contractor shall promptly attempt to settle with such other contractor by agreement, or to otherwise resolve the dispute by arbitration or at law.
- B. Contractor shall, to the fullest extent permitted by Laws and Regulations, indemnify and hold harmless Owner, the Construction Coordinator and the officers, directors, partners, employees, agents and other consultants and subcontractors of each and any of them from and against all claims, costs, losses and damages (including, but not limited to, fees and charges of engineers, architects, attorneys, and other professionals and court and arbitration costs) arising directly, indirectly or consequentially out of any action, legal or equitable, brought by any other contractor against Owner, Construction Coordinator, Construction Coordinator's Consultants to the extent said claim is based on or arises out of Contractor's performance of the Work. Should another contractor cause damage to the Work or property of Contractor or should the performance of work by any other contractor at the Site give rise to any other Claim, Contractor shall not institute any action, legal or equitable, against Owner, or the Construction Coordinator or permit any action against any of them to be maintained and continued in its name or for its benefit in any court or before any arbiter which seeks to impose liability on or to recover damages from Owner, or the Construction Coordinator on account of any such damage or Claim.
- C. If Contractor is delayed at any time in performing or furnishing Work by any act or neglect of another contractor, and Owner and Contractor are unable to agree as to the extent of any adjustment in Contract Times attributable thereto, Contractor may make a Claim for an extension of times in accordance with Part 12. An extension of the Contract Times shall be Contractor's exclusive remedy with respect to Owner, and construction coordinator for any delay, disruption, interference, or hindrance caused by any other contractor. This paragraph does not prevent recovery from Owner, or construction coordinator for activities that are their

respective responsibilities.

PART 8 - OWNER'S RESPONSIBILITIES

8.01 Communications to Contractor

- A. Except as otherwise provided in these General Conditions, Owner shall issue all communications to Contractor through the Construction Coordinator.

8.02 Replacement of Construction Coordinator

- A. In case of termination of the employment of the Construction Coordinator, Owner shall appoint a Construction Coordinator to whose status under the Contract Documents shall be that of the former Construction Coordinator.

8.03 Furnish Data

- A. Owner shall promptly furnish the data required of Owner under the Contract Documents.

8.04 Pay When Due

- A. Owner shall make payments to Contractor when they are due as provided in Paragraphs 14.02.C and 14.07.C.

8.05 Lands and Easements; Reports and Tests

- A. Owner's duties in respect of providing lands and easements and providing engineering surveys to establish reference points are set forth in Paragraphs 4.01 and 4.05. Paragraph 4.02 refers to Owner's identifying and making available to Contractor copies of reports of explorations and tests of subsurface conditions and drawings of physical conditions in or relating to existing surface or subsurface structures at or contiguous to the Site that have been utilized by the Architect or Engineer in preparing the Contract Documents.

8.06 Insurance

- A. Owner's responsibilities, if any, in respect to purchasing and maintaining liability and property insurance are set forth in Part 5.

8.07 Change Orders

- A. Owner is obligated to execute Change Orders as indicated in Paragraph 10.03.

8.08 Inspections, Tests, and Approvals

- A. Owner's responsibility in respect to certain inspections, tests, and approvals is set forth in Paragraph 13.03.B.

8.09 Limitations on Owner's Responsibilities

- A. The Owner shall not supervise, direct, or have control or authority over, nor be responsible for, Contractor's means, methods, techniques, sequences, or procedures of construction, or the safety precautions and programs incident thereto, or for any failure of Contractor to comply with Laws and Regulations applicable to the performance of the Work. Owner will not be responsible for Contractor's failure to perform the Work in accordance with the Contract Documents.

8.10 Undisclosed Hazardous Environmental Condition

- A. Owner's responsibility in respect to an undisclosed Hazardous Environmental Condition is set forth in Paragraph 4.06.

8.11 Evidence of Financial Arrangements

- A. If and to the extent Owner has agreed to furnish Contractor reasonable evidence that financial arrangements have been made to satisfy Owner's obligations under the Contract Documents, Owner's responsibility in respect thereof will be as set forth.

PART 9 - Construction Coordinator's STATUS DURING CONSTRUCTION

9.01 Owner's Representative

- A. Construction Coordinator will be Owner's representative during the construction period. The duties and responsibilities and the limitations of authority of Construction Coordinator as Owner's representative during construction are set forth in the Contract Documents and will not be changed without written consent of Owner and Construction Coordinator.

9.02 Visits to Site

- A. Construction Coordinator will make visits to the Site at intervals appropriate to the various stages of construction as Engineer deems necessary in order to observe as an experienced and qualified design professional the progress that has been made and the quality of the various aspects of Contractor's executed Work. Based on information obtained during such visits and observations, Construction Coordinator, for the benefit of Owner, will determine, in general, if the Work is proceeding in accordance with the Contract Documents. Construction Coordinator will not be required to make exhaustive or continuous inspections on the Site to check the quality or quantity of the Work. Construction Coordinator's efforts will be directed toward providing for Owner a greater degree of confidence that the completed Work will conform generally to the Contract Documents. On the basis of such visits and observations, Construction Coordinator will keep Owner informed of the progress of the Work and will endeavor to guard Owner against defective Work.
- B. Construction Coordinator's visits and observations are subject to all the limitations on Construction Coordinator's authority and responsibility set forth in Paragraph 9.09. Particularly, but without limitation, during or as a result of Construction Coordinator's visits or observations of Contractor's Work Construction Coordinator will not supervise, direct, control, or have authority over or be responsible for Contractor's means, methods, techniques, sequences, or procedures of construction, or the safety precautions and programs incident thereto, or for any failure of Contractor to comply with Laws and Regulations applicable to the performance of the Work.

9.03 Project Representative

- A. If Owner and Construction Coordinator agree; Construction Coordinator will furnish a Resident Project Representative to assist Construction Coordinator in providing more extensive observation of the Work. The authority and responsibilities of any such Resident Project Representative and assistants will be as provided, and limitations on the responsibilities thereof will be as provided in Paragraph 9.09. If Owner designates another representative or agent to represent Owner at the Site who is not Construction Coordinator's consultant, agent or employee, the responsibilities and authority and limitations thereon of such other individual or entity will be as provided in Paragraph 9.09.

9.04 Authorized Variations in Work

- A. Construction Coordinator may authorize minor variations in the Work from the requirements of the Contract Documents which do not involve an adjustment in the Contract Price or the Contract Times and are compatible with the design concept of the completed Project as a functioning whole as indicated by the Contract Documents. These may be accomplished by a Field Order and will be binding on Owner and also on Contractor, who shall perform the Work involved promptly. If Owner or Contractor believes that a Field Order justifies an adjustment in the Contract Price or Contract Times, or both, and the parties are unable to agree on entitlement to or on the amount or extent, if any, of any such adjustment, a Claim may be made therefor as provided in Paragraph 10.05.

9.05 Rejecting Defective Work

- A. Construction Coordinator will have authority to reject Work, which Construction Coordinator believes to be defective, or that Construction Coordinator believes will not produce a completed Project that conforms to the Contract Documents or that will prejudice the integrity of the design concept of the completed Project as a functioning whole as indicated by the Contract Documents. Construction Coordinator will also have authority to require special inspection or testing of the Work as provided in Paragraph 13.04, whether or not the Work is fabricated, installed, or completed.

9.06 Shop Drawings, Change Orders and Payments

- A. In connection with Construction Coordinator's authority, and limitations thereof, as to Shop Drawings and Samples, see Paragraph 6.17.
- B. In connection with Construction Coordinator's authority, and limitations thereof, as to design calculations and design drawings submitted in response to a delegation of professional design services, if any, see Paragraph 6.21.
- C. In connection with Construction Coordinator's authority as to Change Orders, see Parts 10, 11, and 12.
- D. In connection with Construction Coordinator's authority as to Applications for Payment, see Part 14.

9.07 Determinations for Unit Price Work

- A. Construction Coordinator will determine the actual quantities and classifications of Unit Price Work performed by Contractor. Construction Coordinator will review with Contractor the Construction Coordinator's preliminary determinations on such matters before rendering a written decision thereon (by recommendation of an Application for Payment or otherwise). Construction Coordinator's written decision thereon will be final and binding (except as modified by Construction Coordinator to reflect changed factual conditions or more accurate data) upon Owner and Contractor, subject to the provisions of Paragraph 10.05.

9.08 Decisions on Requirements of Contract Documents and Acceptability of Work

- A. Construction Coordinator will be the initial interpreter of the requirements of the Contract Documents and judge of the acceptability of the Work thereunder. All matters in question and other matters between Owner and Contractor arising prior to the date final payment is due relating to the acceptability of the Work, and the interpretation of the requirements of the Contract Documents pertaining to the performance of the Work, will be referred initially to the Construction Coordinator in writing within 30 days of the event giving rise to the question

- B. Construction Coordinator will, with reasonable promptness, render a written decision on the issue referred. If Owner or Contractor believe that any such decision entitles them to an adjustment in the Contract Price or Contract Times or both, a Claim may be made under Paragraph 10.05. The date of Construction Coordinator's decision shall be the date of the event giving rise to the issues referenced for the purposes of Paragraph 10.05.B.
- C. Construction Coordinator's written decision on the issue referred will be final and binding on Owner and Contractor, subject to the provisions of Paragraph 10.05.
- D. When functioning as interpreter and judge under this Paragraph 9.08, Construction Coordinator will not show partiality to Owner or Contractor and will not be liable in connection with any interpretation or decision rendered in good faith in such capacity.

9.09 Limitations on Construction Coordinator's Authority and Responsibilities

- A. Neither Construction Coordinator's authority or responsibility under this Part 9 or under any other provision of the Contract Documents nor any decision made by Construction Coordinator in good faith either to exercise or not exercise such authority or responsibility or the undertaking, exercise, or performance of any authority or responsibility by Construction Coordinator shall create, impose, or give rise to any duty in contract, tort, or otherwise owed by Construction Coordinator to Contractor, any Subcontractor, any Supplier, any other individual or entity, or to any surety for or employee or agent of any of them.
- B. Construction Coordinator will not supervise, direct, control, or have authority over or be responsible for Contractor's means, methods, techniques, sequences, or procedures of construction, or the safety precautions and programs incident thereto, or for any failure of Contractor to comply with Laws and Regulations applicable to the performance of the Work. Construction Coordinator will not be responsible for Contractor's failure to perform the Work in accordance with the Contract Documents.
- C. Construction Coordinator will not be responsible for the acts or omissions of Contractor or of any Subcontractor, any Supplier, or of any other individual or entity performing any of the Work.
- D. Construction Coordinator's review of the final Application for Payment and accompanying documentation and all maintenance and operating instructions, schedules, guarantees, bonds, certificates of inspection, tests and approvals, and other documentation required to be delivered by Paragraph 14.07.A will only be to determine generally that their content complies with the requirements of, and in the case of certificates of inspections, tests, and approvals that the results certified indicate compliance with the Contract Documents.
- E. The limitations upon authority and responsibility set forth in this Paragraph 9.09 shall also apply to, the Resident Project Representative, if any, and assistants, if any.

PART 10 - CHANGES IN THE WORK; CLAIMS

10.01 Authorized Changes in the Work

- A. Without invalidating the Contract and without notice to any surety, Owner may, at any time or from time to time, order additions, deletions, or revisions in the Work by a Change Order, or a Work Change Directive. Upon receipt of any such document, Contractor shall promptly proceed with the Work involved which will be performed under the applicable conditions of the Contract Documents (except as otherwise specifically provided).
- B. If Owner and Contractor are unable to agree on entitlement to, or on the amount or extent, if any, of an adjustment in the Contract Price or Contract Times, or both, that should be allowed

as a result of a Work Change Directive, a Claim may be made therefor as provided in Paragraph 10.05.

10.02 Unauthorized Changes in the Work

- A. Contractor shall not be entitled to an increase in the Contract Price or an extension of the Contract Times with respect to any work performed that is not required by the Contract Documents as amended, modified, or supplemented as provided in Paragraph 3.04, except in the case of an emergency as provided in Paragraph 6.16 or in the case of uncovering Work as provided in Paragraph 13.04.B.

10.03 Execution of Change Orders

- A. Owner and Contractor shall execute appropriate Change Orders recommended by Construction Coordinator covering:
 - 1. changes in the Work which are: (i) ordered by Owner pursuant to Paragraph 10.01.A, required because of acceptance of defective Work under Paragraph 13.08.A or Owner's correction of defective Work under Paragraph 13.09, or (iii) agreed to by the parties;
 - 2. changes in the Contract Price or Contract Times which are agreed to by the parties, including any undisputed sum or amount of time for Work actually performed in accordance with a Work Change Directive; and
 - 3. changes in the Contract Price or Contract Times which embody the substance of any written decision rendered by Construction Coordinator pursuant to Paragraph 10.05; provided that, in lieu of executing any such Change Order, an appeal may be taken from any such decision in accordance with the provisions of the Contract Documents and applicable Laws and Regulations, but during any such appeal, Contractor shall carry on the Work and adhere to the Progress Schedule as provided in Paragraph 6.18.A.

10.04 Notification to Surety

- A. If notice of any change affecting the general scope of the Work or the provisions of the Contract Documents (including, but not limited to, Contract Price or Contract Times and Warranty Requirements) is required by the provisions of any bond to be given to a surety, the giving of any such notice will be Contractor's responsibility. The amount of each applicable bond will be adjusted to reflect the effect of any such change.

10.05 Claims

- A. Construction Coordinator's Decision Required: All Claims, except those waived pursuant to Paragraph 14.09, shall be referred to the Construction Coordinator for decision. A decision by Construction Coordinator shall be required as a condition precedent to any exercise by Owner or Contractor of any rights or remedies either may otherwise have under the Contract Documents or by Laws and Regulations in respect of such Claims.
- B. Notice: Written notice stating the general nature of each Claim shall be delivered by the claimant to Construction Coordinator and the other party to the Contract promptly (but in no event, later than 30 days) after the start of the event giving rise thereto. The responsibility to substantiate a Claim shall rest with the party making the Claim. Notice of the amount or extent of the Claim, with supporting data shall be delivered to the Construction Coordinator and the other party to the Contract within 60 days after the start of such event (unless Construction Coordinator allows additional time for claimant to submit additional or more accurate data in support of such Claim). A Claim for an adjustment in Contract Price shall be prepared in accordance with the provisions of Paragraph 12.01.B. A Claim for an adjustment in Contract Time shall be prepared in accordance with the provisions of Paragraph 12.02.B.

Each Claim shall be accompanied by claimant's written statement that the adjustment claimed is the entire adjustment to which the claimant believes it is entitled as a result of said event. The opposing party shall submit any response to Construction Coordinator and the claimant within 30 days after receipt of the claimant's last submittal (unless Construction Coordinator allows additional time).

- C. Construction Coordinator's Action: Construction Coordinator will review each Claim and, within 30 days after receipt of the last submittal of the claimant or the last submittal of the opposing party, if any, take one of the following actions in writing:
 - 1. deny the Claim in whole or in part,
 - 2. approve the Claim, or
 - 3. notify the parties that the Construction Coordinator is unable to resolve the Claim if, in the Construction Coordinator's sole discretion, it would be inappropriate for the Construction Coordinator to do so. For purposes of further resolution of the Claim, such notice shall be deemed a denial.
- D. In the event that Construction Coordinator does not take action on a Claim within said 30 days, the Claim shall be deemed denied.
- E. Non-withstanding anything herein final approval rests with the Owner.
- F. No Claim for an adjustment in Contract Price or Contract Times will be valid if not submitted in accordance with this Paragraph 10.05.

PART 11 - COST OF THE WORK; ALLOWANCES; UNIT PRICE WORK

11.01 Cost of the Work

- A. Costs Included: The term Cost of the Work means the sum of all costs, except those excluded in Paragraph 11.01.B, necessarily incurred and paid by Contractor in the proper performance of the Work. When the value of any Work covered by a Change Order or when a Claim for an adjustment in Contract Price is determined on the basis of Cost of the Work, the costs to be reimbursed to Contractor will be only those additional or incremental costs required because of the change in the Work or because of the event giving rise to the Claim. Except as otherwise may be agreed to in writing by Owner, such costs shall be in amounts no higher than those prevailing in the locality of the Project, shall include only the following items, and shall not include any of the costs itemized in Paragraph 11.01.B.
 - 1. Payroll costs for employees in the direct employ of Contractor in the performance of the Work under schedules of job classifications agreed upon by Owner and Contractor. Such employees shall include, without limitation, superintendents, foremen, and other personnel employed full time at the Site. Payroll costs for employees not employed full time on the Work shall be apportioned on the basis of their time spent on the Work. Payroll costs shall include, but not be limited to, salaries and wages plus the cost of fringe benefits, which shall include social security contributions, unemployment, excise, and payroll taxes, workers' compensation, health and retirement benefits, bonuses, sick leave, vacation and holiday pay applicable thereto. The expenses of performing Work outside of regular working hours, on Saturday, Sunday, or legal holidays, shall be included in the above to the extent authorized by Owner.
 - 2. Cost of all materials and equipment furnished and incorporated in the Work, including costs of transportation and storage thereof, and Suppliers' field services required in connection therewith. All cash discounts shall accrue to Contractor unless Owner

deposits funds with Contractor with which to make payments, in which case the cash discounts shall accrue to Owner. All trade discounts, rebates and refunds and returns from sale of surplus materials and equipment shall accrue to Owner, and Contractor shall make provisions so that they may be obtained.

3. Payments made by Contractor to Subcontractors for Work performed by Subcontractors. If required by Owner, Contractor shall obtain competitive bids from subcontractors acceptable to Owner and Contractor and shall deliver such bids to Owner, who will then determine, with the advice of Construction Coordinator, which bids, if any, will be acceptable. If any subcontract provides that the Subcontractor is to be paid on the basis of Cost of the Work plus a fee, the Subcontractor's Cost of the Work and fee shall be determined in the same manner as Contractor's Cost of the Work and fee as provided in this Paragraph 11.01.
4. Costs of special consultants (including but not limited to Engineers, Architects, testing laboratories, surveyors, attorneys, and accountants) employed for services specifically related to the Work.
5. Supplemental costs including the following:
 - a. The proportion of necessary transportation, travel, and subsistence expenses of Contractor's employees incurred in discharge of duties connected with the Work.
 - b. Cost, including transportation and maintenance, of all materials, supplies, equipment, machinery, appliances, office, and temporary facilities at the Site, and hand tools not owned by the workers, which are consumed in the performance of the Work, and cost, less market value, of such items used but not consumed which remain the property of Contractor.
 - c. Rentals of all construction equipment and machinery, and the parts thereof whether rented from Contractor or others in accordance with rental agreements approved by Owner with the advice of Construction Coordinator, and the costs of transportation, loading, unloading, assembly, dismantling, and removal thereof. All such costs shall be in accordance with the terms of said rental agreements. The rental of any such equipment, machinery, or parts shall cease when the use thereof is no longer necessary for the Work.
 - d. Sales, consumer, use, and other similar taxes related to the Work, and for which Contractor is liable, imposed by Laws and Regulations.
 - e. Deposits lost for causes other than negligence of Contractor, any Subcontractor, or anyone directly or indirectly employed by any of them or for whose acts any of them may be liable, and royalty payments and fees for permits and licenses.
 - f. Losses and damages (and related expenses) caused by damage to the Work, not compensated by insurance or otherwise, sustained by Contractor in connection with the performance of the Work (except losses and damages within the deductible amounts of property insurance established in accordance with Paragraph 5.06.D), provided such losses and damages have resulted from causes other than the negligence of Contractor, any Subcontractor, or anyone directly or indirectly employed by any of them or for whose acts any of them may be liable. Such losses shall include settlements made with the written consent and approval of Owner. No such losses, damages, and expenses shall be included in the Cost of the Work for the purpose of determining Contractor's fee.
 - g. The cost of utilities, fuel, and sanitary facilities at the Site.

- b. Contractor's costs for unloading and handling on the Site, labor, installation, overhead, profit, and other expenses contemplated for the cash allowances have been included in the Contract Price and not in the allowances, and no demand for additional payment on account of any of the foregoing will be valid.
- C. Contingency Allowance
 - 1. Contractor agrees that a contingency allowance, if any, is for the sole use of Owner to cover unanticipated costs.
- D. Prior to final payment, an appropriate Change Order will be issued as recommended by Construction Coordinator to reflect actual amounts due Contractor on account of Work covered by allowances, and the Contract Price shall be correspondingly adjusted.

11.03 Unit Price Work

- A. Initially the Contract Price will be deemed to include for all Unit Price Work an amount equal to the sum of the unit price for each separately identified item of Unit Price Work times the estimated quantity of each item as indicated in the Agreement.
- B. The estimated quantities of items of Unit Price Work are not guaranteed and are solely for the purpose of comparison of Bids and determining an initial Contract Price. Determinations of the actual quantities and classifications of Unit Price Work performed by Contractor will be made by the Owner subject to the provisions of Paragraph 9.07.
- C. Each unit price will be deemed to include an amount considered by Contractor to be adequate to cover Contractor's overhead and profit for each separately identified item.
- D. Owner or Contractor may make a Claim for an adjustment in the Contract Price in accordance with Paragraph 10.05 if:
 - 1. the quantity of any item of Unit Price Work performed by Contractor differs materially and significantly from the estimated quantity of such item indicated in the Agreement; and
 - 2. there is no corresponding adjustment with respect any other item of Work; and
 - 3. Contractor believes that Contractor is entitled to an increase in Contract Price as a result of having incurred additional expense or Owner believes that Owner is entitled to a decrease in Contract Price and the parties are unable to agree as to the amount of any such increase or decrease.

PART 12 - CHANGE OF CONTRACT PRICE; CHANGE OF CONTRACT TIMES

12.01 Change of Contract Price

- A. The Contract Price may only be changed by a Change Order. Any Claim for an adjustment in the Contract Price shall be based on written notice submitted by the party making the Claim to the Construction Coordinator and the other party to the Contract in accordance with the provisions of Paragraph 10.05. Final approval of all change orders rests with the owner.
- B. The value of any Work covered by a Change Order or of any Claim for an adjustment in the Contract Price will be determined as follows:

1. where the Work involved is covered by unit prices contained in the Contract Documents, by application of such unit prices to the quantities of the items involved (subject to the provisions of Paragraph 11.03); or
 2. where the Work involved is not covered by unit prices contained in the Contract Documents, by a mutually agreed lump sum (which may include an allowance for overhead and profit not necessarily in accordance with Paragraph 12.01.C.2); or
 3. where the Work involved is not covered by unit prices contained in the Contract Documents and agreement to a lump sum is not reached under Paragraph 12.01.B.2, on the basis of the Cost of the Work (determined as provided in Paragraph 11.01) plus a Contractor's fee for overhead and profit (determined as provided in Paragraph 12.01.C).
- C. Contractor's Fee: The Contractor's fee for overhead and profit shall be determined as follows:
1. a mutually acceptable fixed fee; or
 2. if a fixed fee is not agreed upon, then a fee based on the following percentages of the various portions of the Cost of the Work:
 - a. for costs incurred under Paragraphs 11.01.A.1 and 11.01.A.2, the Contractor's fee shall be 15 percent;
 - b. for costs incurred under Paragraph 11.01.A.3, the Contractor's fee shall be five percent;
 - c. where one or more tiers of subcontracts are on the basis of Cost of the Work plus a fee and no fixed fee is agreed upon, the intent of Paragraph 12.01.C.2.a is that the Subcontractor who actually performs the Work, at whatever tier, will be paid a fee of 15 percent of the costs incurred by such Subcontractor under Paragraphs 11.01.A.1 and 11.01.A.2 and that any higher tier Subcontractor and Contractor will each be paid a fee of five percent of the amount paid to the next lower tier Subcontractor;
 - d. no fee shall be payable on the basis of costs itemized under Paragraphs 11.01.A.4, 11.01.A.5, and 11.01.B;
 - e. the amount of credit to be allowed by Contractor to Owner for any change which results in a net decrease in cost will be the amount of the actual net decrease in cost plus a deduction in Contractor's fee by an amount equal to five percent of such net decrease; and
 - f. when both additions and credits are involved in any one change, the adjustment in Contractor's fee shall be computed on the basis of the net change in accordance with Paragraphs 12.01.C.2.a through 12.01.C.2.e, inclusive.

12.02 Change of Contract Times

- A. The Contract Times may only be changed by a Change Order. Any Claim for an adjustment in the Contract Times shall be based on written notice submitted by the party making the Claim to the Construction Coordinator and the other party to the Contract in accordance with the provisions of Paragraph 10.05. Final approval of all change orders rests with the owner.
- B. Any adjustment of the Contract Times covered by a Change Order or any Claim for an adjustment in the Contract Times will be determined in accordance with the provisions of this Part 12.

12.03 Delays

- A. Where Contractor is prevented from completing any part of the Work within the Contract Times due to delay beyond the control of Contractor, the Contract Times will be extended in an amount equal to the time lost due to such delay if a Claim is made therefor as provided in Paragraph 12.02.A. Delays beyond the control of Contractor shall include, but not be limited to, acts or neglect by Owner, acts or neglect of utility owners or other contractors performing other work as contemplated by Part 7, fires, floods, epidemics, abnormal weather conditions, or acts of God.
- B. If Owner, Construction Coordinator, or other contractors or utility owners performing other work for Owner as contemplated by Part 7, or anyone for whom Owner is responsible, delays, disrupts, or interferes with the performance or progress of the Work, then Contractor shall be entitled to an equitable adjustment in the Contract Price or the Contract Times, or both. Contractor's entitlement to an adjustment of the Contract Times is conditioned on such adjustment being essential to Contractor's ability to complete the Work within the Contract Times.
- C. If Contractor is delayed in the performance or progress of the Work by fire, flood, epidemic, abnormal weather conditions, acts of God, acts or failures to act of utility owners not under the control of Owner, or other causes not the fault of and beyond control of Owner and Contractor, then Contractor shall be entitled to an equitable adjustment in Contract Times, if such adjustment is essential to Contractor's ability to complete the Work within the Contract Times. Such an adjustment shall be Contractor's sole and exclusive remedy for the delays described in this Paragraph 12.03.C.
- D. Owner, Construction Coordinator and the Related Entities of each of them shall not be liable to Contractor for any claims, costs, losses, or damages (including but not limited to all fees and charges of Engineers, Architects, Attorneys, and other professionals and all court or arbitration or other dispute resolution costs) sustained by Contractor on or in connection with any other project or anticipated project.
- E. Contractor shall not be entitled to an adjustment in Contract Price or Contract Times for delays within the control of Contractor. Delays attributable to and within the control of a Subcontractor or Supplier shall be deemed to be delays within the control of Contractor.
- F. All claims for delays shall be submitted at the submission of any application for payment or within fifteen (15) days of the event causing the delay. Any claims made after the allowable time shall be denied.

PART 13 - TESTS AND INSPECTIONS; CORRECTION, REMOVAL OR ACCEPTANCE OF DEFECTIVE WORK

13.01 Notice of Defects

- A. Prompt notice of all defective Work of which Owner or Construction Coordinator has actual knowledge will be given to Contractor. All defective Work may be rejected, corrected, or accepted as provided in this Part 13.

13.02 Access to Work

- A. Owner, Construction Coordinator, their consultants and other representatives and personnel of Owner, independent testing laboratories, and governmental agencies with jurisdictional interests will have access to the Site and the Work at reasonable times for their observation, inspecting, and testing. Contractor shall provide them proper and safe conditions for such access and advise them of Contractor's Site safety procedures and programs so that they may comply therewith as applicable.

13.03 Tests and Inspections

- A. Contractor shall give Construction Coordinator timely notice of readiness of the Work for all required inspections, tests, or approvals and shall cooperate with inspection and testing personnel to facilitate required inspections or tests.
- B. Contractor shall employ and pay for the services of an independent testing laboratory to perform all inspections, tests, or approvals required by the Contract Documents.
- C. If Laws or Regulations of any public body having jurisdiction require any Work (or part thereof) specifically to be inspected, tested, or approved by an employee or other representative of such public body, Contractor shall assume full responsibility for arranging and obtaining such inspections, tests, or approvals, pay all costs in connection therewith, and furnish Construction Coordinator the required certificates of inspection or approval.
- D. Contractor shall be responsible for arranging and obtaining and shall pay all costs in connection with any inspections, tests, or approvals required for Owner's and Construction Coordinator's acceptance of materials or equipment to be incorporated in the Work; or acceptance of materials, mix designs, or equipment submitted for approval prior to Contractor's purchase thereof for incorporation in the Work. Such inspections, tests, or approvals shall be performed by third party organizations acceptable to Owner and Construction Coordinator.
- E. If any Work (or the work of others) that is to be inspected, tested, or approved is covered by Contractor without written concurrence of Construction Coordinator, it must, if requested by Construction Coordinator, be uncovered for observation.
- F. Uncovering Work as provided in Paragraph 13.03.E shall be at Contractor's expense unless Contractor has given Construction Coordinator timely notice of Contractor's intention to cover the same and Construction Coordinator has not acted with reasonable promptness in response to such notice.

13.04 Uncovering Work

- A. If any Work is covered contrary to the written request of Construction Coordinator, it must, if requested by Construction Coordinator, be uncovered for Construction Coordinator's observation and replaced at Contractor's expense.
- B. If Construction Coordinator considers it necessary or advisable that covered Work be observed by Construction Coordinator or inspected or tested by others, Contractor, at Construction Coordinator's request, shall uncover, expose, or otherwise make available for observation, inspection, or testing as Construction Coordinator may require, that portion of the Work in question, furnishing all necessary labor, material, and equipment.
- C. If it is found that the uncovered Work is defective, Contractor shall pay all claims, costs, losses, and damages (including but not limited to all fees and charges of Construction Coordinator, Engineers, Architects, Attorneys, and other professionals and all court or arbitration or other dispute resolution costs) arising out of or relating to such uncovering, exposure, observation, inspection, and testing, and of satisfactory replacement or reconstruction (including but not limited to all costs of repair or replacement of work of others); and Owner shall be entitled to an appropriate decrease in the Contract Price. If the parties are unable to agree as to the amount thereof, Owner may make a Claim therefor as provided in Paragraph 10.05.
- D. If, the uncovered Work is not found to be defective, Contractor shall be allowed an increase in the Contract Price or an extension of the Contract Times, or both, directly attributable to

such uncovering, exposure, observation, inspection, testing, replacement, and reconstruction. If the parties are unable to agree as to the amount or extent thereof, Contractor may make a Claim therefor as provided in Paragraph 10.05.

13.05 Owner May Stop the Work

- A. If the Work is defective, or Contractor fails to supply sufficient skilled workers or suitable materials or equipment, or fails to perform the Work in such a way that the completed Work will conform to the Contract Documents, Owner may order Contractor to stop the Work, or any portion thereof, until the cause for such order has been eliminated; however, this right of Owner to stop the Work shall not give rise to any duty on the part of Owner to exercise this right for the benefit of Contractor, any Subcontractor, any Supplier, any other individual or entity, or any surety for, or employee or agent of any of them.

13.06 Correction or Removal of Defective Work

- A. Promptly after receipt of notice, Contractor shall correct all defective Work, whether or not fabricated, installed, or completed, or, if the Work has been rejected by Construction Coordinator, remove it from the Project and replace it with Work that is not defective. Contractor shall pay all claims, costs, losses, and damages (including but not limited to all fees and charges of construction coordinator, engineers, architects, attorneys, and other professionals and all court or arbitration or other dispute resolution costs) arising out of or relating to such correction or removal (including but not limited to all costs of repair or replacement of work of others).
- B. When correcting defective Work under the terms of this Paragraph 13.06 or Paragraph 13.07, Contractor shall take no action that would void or otherwise impair Owner's special warranty and guarantee, if any, on said Work.

13.07 Correction Period

- A. If within one year after the date of Substantial Completion (or such longer period of time as may be prescribed by the terms of any applicable special guarantee required by the Contract Documents) or by any specific provision of the Contract Documents, any Work is found to be defective, or if the repair of any damages to the land or areas made available for Contractor's use by Owner or permitted by Laws and Regulations as contemplated in Paragraph 6.11.A is found to be defective, Contractor shall promptly, without cost to Owner and in accordance with Owner's written instructions:
 - 1. repair such defective land or areas; or
 - 2. correct such defective Work; or
 - 3. if the defective Work has been rejected by Owner, remove it from the Project and replace it with Work that is not defective, and
 - 4. satisfactorily correct or repair or remove and replace any damage to other Work, to the work of others or other land or areas resulting therefrom.
- B. If Contractor does not promptly comply with the terms of Owner's written instructions, or in an emergency where delay would cause serious risk of loss or damage, Owner may have the defective Work corrected or repaired or may have the rejected Work removed and replaced. All claims, costs, losses, and damages (including but not limited to all fees and charges of construction coordinator, engineers, architects, attorneys, and other professionals and all court or arbitration or other dispute resolution costs) arising out of or relating to such correction or repair or such removal and replacement (including but not limited to all costs of repair or replacement of work of others) will be paid by Contractor.

- C. In special circumstances where a particular item of equipment is placed in continuous service before Substantial Completion of all the Work, the correction period for that item may start to run from an earlier date if so provided in the Specifications.
- D. Where defective Work (and damage to other Work resulting therefrom) has been corrected or removed and replaced under this Paragraph 13.07, the correction period hereunder with respect to such Work will be extended for an additional period of one year after such correction or removal and replacement has been satisfactorily completed.
- E. Contractor's obligations under this Paragraph 13.07 are in addition to any other obligation or warranty. The provisions of this Paragraph 13.07 shall not be construed as a substitute for or a waiver of the provisions of any applicable statute of limitation or repose.

13.08 Acceptance of Defective Work

- A. If, instead of requiring correction or removal and replacement of defective Work, Owner (and, prior to Construction Coordinator's recommendation of final payment, Construction Coordinator) prefers to accept it, Owner may do so. Contractor shall pay all claims, costs, losses, and damages (including but not limited to all fees and charges of construction coordinator, engineers, architects, attorneys, and other professionals and all court or arbitration or other dispute resolution costs) attributable to Owner's evaluation of and determination to accept such defective Work (such costs to be approved by Construction Coordinator as to reasonableness) and the diminished value of the Work to the extent not otherwise paid by Contractor pursuant to this sentence. If any such acceptance occurs prior to Construction Coordinator's recommendation of final payment, a Change Order will be issued incorporating the necessary revisions in the Contract Documents with respect to the Work, and Owner shall be entitled to an appropriate decrease in the Contract Price, reflecting the diminished value of Work so accepted. If the parties are unable to agree as to the amount thereof, Owner may make a Claim therefor as provided in Paragraph 10.05. If the acceptance occurs after such recommendation, an appropriate amount will be paid by Contractor to Owner.

13.09 Owner May Correct Defective Work

- A. If Contractor fails within a reasonable time after written notice from Construction Coordinator to correct defective Work or to remove and replace rejected Work as required by Construction Coordinator in accordance with Paragraph 13.06.A, or if Contractor fails to perform the Work in accordance with the Contract Documents, or if Contractor fails to comply with any other provision of the Contract Documents, Owner may, after seven (7) days written notice to Contractor, correct or remedy any such deficiency.
- B. In exercising the rights and remedies under this Paragraph 13.09, Owner shall proceed expeditiously. In connection with such corrective or remedial action, Owner may exclude Contractor from all or part of the Site, take possession of all or part of the Work and suspend Contractor's services related thereto, take possession of Contractor's tools, appliances, construction equipment and machinery at the Site, and incorporate in the Work all materials and equipment stored at the Site or for which Owner has paid Contractor but which are stored elsewhere. Contractor shall allow Owner, Owner's representatives, agents and employees, Owner's other contractors, and Construction Coordinator and Construction Coordinator's consultants access to the Site to enable Owner to exercise the rights and remedies under this Paragraph.
- C. All claims, costs, losses, and damages (including but not limited to all fees and charges of construction coordinator, engineers, architects, attorneys, and other professionals and all court or arbitration or other dispute resolution costs) incurred or sustained by Owner in

exercising the rights and remedies under this Paragraph 13.09 will be charged against Contractor, and a Change Order will be issued incorporating the necessary revisions in the Contract Documents with respect to the Work; and Owner shall be entitled to an appropriate decrease in the Contract Price. If the parties are unable to agree as to the amount of the adjustment, Owner may make a Claim therefor as provided in Paragraph 10.05. Such claims, costs, losses and damages will include but not be limited to all costs of repair, or replacement of work of others destroyed or damaged by correction, removal, or replacement of Contractor's defective Work.

- D. Contractor shall not be allowed an extension of the Contract Times because of any delay in the performance of the Work attributable to the exercise by Owner of Owner's rights and remedies under this Paragraph 13.09.

PART 14 - PAYMENTS TO CONTRACTOR AND COMPLETION

14.01 Schedule of Values

- A. The Schedule of Values established as provided in Paragraph 2.07.A will serve as the basis for progress payments and will be incorporated into a form of Application for Payment acceptable to the Construction Coordinator. Progress payments on account of Unit Price Work will be based on the number of units completed.

14.02 Progress Payments

A. Applications for Payments

1. At least 20 days before the date established in the Agreement for each progress payment (but not more often than once a month), Contractor shall submit to the Construction Coordinator for review an Application for Payment filled out and signed by Contractor covering the Work completed as of the date of the Application and accompanied by such supporting documentation as is required by the Contract Documents. The date of the pay application must be the last day of the month. If payment is requested on the basis of materials and equipment not incorporated in the Work but delivered and suitably stored at the Site or at another location agreed to in writing, the Application for Payment shall also be accompanied by a bill of sale, invoice, or other documentation warranting that Owner has received the materials and equipment free and clear of all Liens and evidence that the materials and equipment are covered by appropriate property insurance or other arrangements to protect Owner's interest therein, all of which must be satisfactory to Owner.
2. Beginning with the second Application for Payment, each Application shall include an affidavit of Contractor stating that all previous progress payments received on account of the Work have been applied on account to discharge Contractor's legitimate obligations associated with prior Applications for Payment.
3. The amount of retainage with respect to progress payments will be as stipulated in the Agreement.

B. Review of Applications

1. Construction Coordinator will, within fifteen (15) days after receipt of each Application for Payment, either indicate in writing a recommendation of payment and present the Application to Owner or return the Application to Contractor indicating in writing Construction Coordinator's reasons for refusing to recommend payment. In the latter case, Contractor may make the necessary corrections and resubmit the Application.

2. Construction Coordinator's recommendation of any payment requested in an Application for Payment will constitute a representation by Construction Coordinator to Owner, based on Construction Coordinator's observations on the Site of the executed Work as an experienced and qualified design professional and on Construction Coordinator's review of the Application for Payment and the accompanying data and schedules, that to the best of Construction Coordinator's knowledge, information and belief:
 - a. the Work has progressed to the point indicated;
 - b. the quality of the Work is generally in accordance with the Contract Documents (subject to an evaluation of the Work as a functioning whole prior to or upon Substantial Completion, to the results of any subsequent tests called for in the Contract Documents, to a final determination of quantities and classifications for Unit Price Work under Paragraph 9.07, and to any other qualifications stated in the recommendation); and
 - c. the conditions precedent to Contractor's being entitled to such payment appear to have been fulfilled in so far as it is Construction Coordinator's responsibility to observe the Work.
3. By recommending any such payment Construction Coordinator will not thereby be deemed to have represented that:
 - a. inspections made to check the quality or the quantity of the Work as it has been performed have been exhaustive, extended to every aspect of the Work in progress, or involved detailed inspections of the Work beyond the responsibilities specifically assigned to Construction Coordinator in the Contract Documents; or
 - b. that there may not be other matters or issues between the parties that might entitle Contractor to be paid additionally by Owner or entitle Owner to withhold payment to Contractor.
4. Neither Construction Coordinator's review of Contractor's Work for the purposes of recommending payments nor Construction Coordinator's recommendation of any payment, including final payment, will impose responsibility on Construction Coordinator:
 - a. to supervise, direct, or control the Work, or
 - b. for the means, methods, techniques, sequences, or procedures of construction, or the safety precautions and programs incident thereto, or
 - c. for Contractor's failure to comply with Laws and Regulations applicable to Contractor's performance of the Work, or
 - d. to make any examination to ascertain how or for what purposes Contractor has used the moneys paid on account of the Contract Price, or
 - e. to determine that title to any of the Work, materials, or equipment has passed to Owner free and clear of any Liens.

5. Construction Coordinator may refuse to recommend the whole or any part of any payment if, in Construction Coordinator's opinion, it would be incorrect to make the representations to Owner stated in Paragraph 14.02.B 2. Construction Coordinator may also refuse to recommend any such payment or, because of subsequently discovered evidence or the results of subsequent inspections or tests, revise or revoke any such payment recommendation previously made, to such extent as may be necessary in Construction Coordinator's opinion to protect Owner from loss because:
 - a. the Work is defective, or completed Work has been damaged, requiring correction or replacement;
 - b. the Contract Price has been reduced by Change Orders;
 - c. Owner has been required to correct defective Work or complete Work in accordance with Paragraph 13.09; or
 - d. Construction Coordinator has actual knowledge of the occurrence of any of the events enumerated in Paragraph 15.02.A.

C. Payment Becomes Due

1. Fifteen (15) days after presentation of the Application for Payment to Owner with Construction Coordinator's recommendation, the amount recommended will (subject to the provisions of Paragraph 14.02.D) become due, and when due will be paid by Owner to Contractor.

D. Reduction in Payment

1. Owner may refuse to make payment of the full amount recommended by Construction Coordinator because:
 - a. claims have been made against Owner on account of Contractor's performance or furnishing of the Work;
 - b. Liens have been filed in connection with the Work, except where Contractor has delivered a specific bond satisfactory to Owner to secure the satisfaction and discharge of such Liens;
 - c. there are other items entitling Owner to a set-off against the amount recommended; or
 - d. Owner has actual knowledge of the occurrence of any of the events enumerated in Paragraphs 14.02.B.5.a through 14.02.B.5.c or Paragraph 15.02.A.
2. If Owner refuses to make payment of the full amount recommended by Construction Coordinator, Owner will give Contractor immediate written notice (with a copy to Construction Coordinator) stating the reasons for such action and promptly pay Contractor any amount remaining after deduction of the amount so withheld. Owner shall promptly pay Contractor the amount so withheld, or any adjustment thereto agreed to by Owner and Contractor, when Contractor corrects to Owner's satisfaction the reasons for such action.
3. If it is subsequently determined that Owner's refusal of payment was not justified, the amount wrongfully withheld shall be treated as an amount due as determined by Paragraph 14.02.C 1.

14.03 Contractor's Warranty of Title

- A. Contractor warrants and guarantees that title to all Work, materials, and equipment covered by any Application for Payment, whether incorporated in the Project or not, will pass to Owner no later than the time of payment free and clear of all Liens.

14.04 Substantial Completion

- A. When Contractor considers the entire Work ready for its intended use Contractor shall notify Owner and Construction Coordinator in writing that the entire Work is substantially complete (except for items specifically listed by Contractor as incomplete) and request that Construction Coordinator issue a certificate of Substantial Completion.
- B. Promptly after Contractor's notification, Owner, Contractor, and Construction Coordinator shall make an inspection of the Work to determine the status of completion. If Construction Coordinator does not consider the Work substantially complete, Construction Coordinator will notify Contractor in writing giving the reasons therefor.
- C. If Construction Coordinator considers the Work substantially complete, the Construction Coordinator will deliver to Owner a tentative certificate of Substantial Completion which shall fix the date of Substantial Completion. There shall be attached to the certificate a tentative list of items to be completed or corrected before final payment. Owner shall have seven (7) days after receipt of the tentative certificate during which to make written objection to Construction Coordinator as to any provisions of the certificate or attached list. If, after considering such objections, Construction Coordinator concludes that the Work is not substantially complete, Construction Coordinator will within 14 days after submission of the tentative certificate to Owner notify Contractor in writing, stating the reasons therefor. If, after consideration of Owner's objections, the Construction Coordinator considers the Work substantially complete, the Construction Coordinator will within be said 14 days execute and deliver to Owner and Contractor a definitive certificate of Substantial Completion (with a revised tentative list of items to be completed or corrected) reflecting such changes from the tentative certificate as Construction Coordinator believes justified after consideration of any objections from Owner.
- D. At the time of delivery of the tentative certificate of Substantial Completion, Construction Coordinator will deliver to Owner and Contractor a written recommendation as to division of responsibilities pending final payment between Owner and Contractor with respect to security, operation, safety, and protection of the Work, maintenance, heat, utilities, insurance, and warranties and guarantees. Unless Owner and Contractor agree otherwise in writing and so informs the Construction Coordinator in writing prior to Construction Coordinator's issuing the definitive certificate of Substantial Completion, Construction Coordinator's aforesaid recommendation will be binding on Owner and Contractor until final payment.
- E. Owner shall have the right to exclude Contractor from the Site after the date of Substantial Completion subject to allowing Contractor reasonable access to complete or correct items on the tentative list.

14.05 Partial Utilization

- A. Prior to Substantial Completion of all the Work, Owner may use or occupy any substantially completed part of the Work which has specifically been identified in the Contract Documents, or which Owner, Construction Coordinator, and Contractor agree constitutes a separately functioning and usable part of the Work that can be used by Owner for its intended purpose without significant interference with Contractor's performance of the remainder of the Work, subject to the following conditions.
 - 1. Owner at any time may request Contractor in writing to permit Owner to use or occupy any such part of the Work Which Owner believes to be ready for its intended use and

substantially complete. If and when Contractor agrees that such part of the Work is substantially complete, Contractor will certify to Owner and Construction Coordinator that such part of the Work is substantially complete and request Construction Coordinator to issue a certificate of Substantial Completion for that part of the Work.

2. Contractor at any time may notify Owner and Construction Coordinator in writing that Contractor considers any such part of the Work ready for its intended use and substantially complete and request Construction Coordinator to issue a certificate of Substantial Completion for that part of the Work. Said work should have, at a minimum, a temporary Certificate of Occupancy from the authority having jurisdiction.
3. Within a reasonable time after either such request, Owner, Contractor, and Construction Coordinator shall make an inspection of that part of the Work to determine its status of completion. If Construction Coordinator does not consider that part of the Work to be substantially complete, Construction Coordinator will notify Owner and Contractor in writing giving the reasons therefor. If Construction Coordinator considers that part of the Work to be substantially complete, the provisions of Paragraph 14.04 will apply with respect to certification of Substantial Completion of that part of the Work and the division of responsibility in respect thereof and access thereto.
4. No use or occupancy or separate operation of part of the Work may occur prior to compliance with the requirements of Paragraph 5.10 regarding property insurance.

14.06 Final Inspection

- A. Upon written notice from Contractor that the entire Work or an agreed portion thereof is complete, Construction Coordinator will promptly make a final inspection with Owner and Contractor and will notify Contractor in writing of all particulars in which this inspection reveals that the Work is incomplete or defective. Contractor shall immediately take such measures as are necessary to complete such Work or remedy such deficiencies.

14.07 Final Payment

- A. Application for Payment
 1. After Contractor has, in the opinion of Construction Coordinator, satisfactorily completed all corrections identified during the final inspection and has delivered, in accordance with the Contract Documents, all maintenance, training and operating instructions, schedules, guarantees, bonds, certificates or other evidence of insurance certificates of inspection, marked-up record documents to include digital as-buids of the project (as provided in Paragraph 6.12), and other documents, Contractor may make application for final payment following the procedure for progress payments.
 2. The final Application for Payment shall be accompanied (except as previously delivered) by:
 - a. all documentation called for in the Contract Documents, including but not limited to the evidence of insurance required by Paragraph 5.04.B.7;
 - b. consent of the surety, if any, to final payment;
 - c. a list of all Claims against Owner that Contractor believes are unsettled; and
 - d. complete and legally effective releases or waivers (satisfactory to Owner) of all Lien rights arising out of or Liens filed in connection with the Work.

3. In lieu of the releases or waivers of Liens specified in Paragraph 14.07.A.2 and as approved by Owner, Contractor may furnish receipts or releases in full and an affidavit of Contractor that: (i) the releases and receipts include all labor, services, material, and equipment for which a Lien could be filed; and (ii) all payrolls, material and equipment bills, and other indebtedness connected with the Work for which Owner or Owner's property might in any way be responsible have been paid or otherwise satisfied. If any Subcontractor or Supplier fails to furnish such a release or receipt in full, Contractor may furnish a bond or other collateral satisfactory to Owner to indemnify Owner against any Lien.

B. Construction Coordinator's Review of Application and Acceptance

1. If, on the basis of Construction Coordinator's observation of the Work during construction and final inspection, and Construction Coordinator's review of the final Application for Payment and accompanying documentation as required by the Contract Documents, Construction Coordinator is satisfied that the Work has been completed and Contractor's other obligations under the Contract Documents have been fulfilled, Construction Coordinator will, within ten (10) days after receipt of the final Application for Payment, indicate in writing Construction Coordinator's recommendation of payment and present the Application for Payment to Owner for payment. At the same time, Construction Coordinator will also give written notice to Owner and Contractor that the Work is acceptable subject to the provisions of Paragraph 14.09. Otherwise, Construction Coordinator will return the Application for Payment to Contractor, indicating in writing the reasons for refusing to recommend final payment, in which case Contractor shall make the necessary corrections and resubmit the Application for Payment.

C. Payment Becomes Due

1. Thirty (30) days after the presentation to Owner of the Application for Payment and accompanying documentation, the amount recommended by Construction Coordinator, less any sum Owner is entitled to set off against Construction Coordinator's recommendation, including but not limited to liquidated damages, will become due and, will be paid by Owner to Contractor.

14.08 Final Completion Delayed

- A. If, through no fault of Contractor, final completion of the Work is significantly delayed, and if Construction Coordinator so confirms, Owner shall, upon receipt of Contractor's final Application for Payment (for Work fully completed and accepted) and recommendation of Construction Coordinator, and without terminating the Contract, make payment of the balance due for that portion of the Work fully completed and accepted. If the remaining balance to be held by Owner for Work not fully completed or corrected is less than the retainage stipulated in the Agreement, and if bonds have been furnished as required in Paragraph 5.01, the written consent of the surety to the payment of the balance due for that portion of the Work fully completed and accepted shall be submitted by Contractor to the Construction Coordinator with the Application for such payment. Such payment shall be made under the terms and conditions governing final payment, except that it shall not constitute a waiver of Claims.

14.09 Waiver of Claims

- A. The making and acceptance of final payment will constitute:
 1. a waiver of all Claims by Owner against Contractor, except Claims arising from unsettled Liens, from defective Work appearing after final inspection pursuant to Paragraph 14.06, from failure to comply with the Contract Documents or the terms of any special

guarantees specified therein, or from Contractor's continuing obligations under the Contract Documents; and

2. a waiver of all Claims by Contractor against Owner other than those previously made in accordance with the requirements herein and expressly acknowledged by Owner in writing as still unsettled.

PART 15 - SUSPENSION OF WORK AND TERMINATION

15.01 Owner May Suspend Work

- A. At any time and without cause, Owner may suspend the Work or any portion thereof for a period of not more than 90 consecutive days by notice in writing to Contractor and Construction Coordinator which will fix the date on which Work will be resumed. Contractor shall resume the Work on the date so fixed. Contractor shall be granted an adjustment in the Contract Price or an extension of the Contract Times, or both, directly attributable to any such suspension if Contractor makes a Claim therefor as provided in Paragraph 10.05.

15.02 Owner May Terminate for Cause

- A. The occurrence of any one or more of the following events will justify termination for cause:
 1. Contractor's persistent failure to perform the Work in accordance with the Contract Documents (including, but not limited to, failure to supply sufficient skilled workers or suitable materials or equipment or failure to adhere to the Progress Schedule established under Paragraph 2.07 as adjusted from time to time pursuant to Paragraph 6.04);
 2. Contractor's disregard of Laws or Regulations of any public body having jurisdiction;
 3. Contractor's disregard of the authority of the Construction Coordinator; or
 4. Contractor's violation in any substantial way of any provisions of the Contract Documents.
- B. If one or more of the events identified in Paragraph 15.02.A occur, Owner may, after giving Contractor (and surety) seven (7) days written notice of its intent to terminate the services of Contractor:
 1. exclude Contractor from the Site, and take possession of the Work and of all Contractor's tools, appliances, construction equipment, and machinery at the Site, and use the same to the full extent they could be used by Contractor (without liability to Contractor for trespass or conversion),
 2. incorporate in the Work all materials and equipment stored at the Site or for which Owner has paid Contractor but which are stored elsewhere, and
 3. complete the Work as Owner may deem expedient.
- C. If Owner proceeds as provided in Paragraph 15.02.B, Contractor shall not be entitled to receive any further payment until the Work is completed. If the unpaid balance of the Contract Price exceeds all claims, costs, losses, and damages (including but not limited to all fees and charges of construction coordinator, engineers, architects, attorneys, and other professionals and all court or arbitration or other dispute resolution costs) sustained by Owner arising out of or relating to completing the Work, such excess will be paid to Contractor. If such claims, costs, losses, and damages exceed such unpaid balance, Contractor shall pay the difference to Owner. Such claims, costs, losses, and damages incurred by Owner will be reviewed by the Construction Coordinator as to their reasonableness and, when so approved by the

Construction Coordinator, incorporated in a Change Order. When exercising any rights or remedies under this Paragraph Owner shall not be required to obtain the lowest price for the Work performed.

- D. Notwithstanding Paragraphs 15.02.B and 15.02.C, Contractor's services will not be terminated if Contractor begins within seven (7) days of receipt of notice of intent to terminate to correct its failure to perform and proceeds diligently to cure such failure within no more than 30 days of receipt of said notice.
- E. Where Contractor's services have been so terminated by Owner, the termination will not affect any rights or remedies of Owner against Contractor then existing or which may thereafter accrue. Any retention or payment of moneys due Contractor by Owner will not release Contractor from liability.
- F. If and to the extent that Contractor has provided a performance bond under the provisions of Paragraph 5.01.A, the termination procedures of that bond shall supersede the provisions of Paragraphs 15.02.B, and 15.02.C.

15.03 Owner May Terminate for Convenience

- A. Upon fifteen (15) days written notice to Contractor and Construction Coordinator, Owner may, without cause and without prejudice to any other right or remedy of Owner, terminate the Contract. In such case, Contractor shall be paid for (without duplication of any items):
 - 1. completed and acceptable Work executed in accordance with the Contract Documents prior to the effective date of termination, including fair and reasonable sums for overhead and profit on such Work;
 - 2. expenses sustained prior to the effective date of termination in performing services and furnishing labor, materials, or equipment as required by the Contract Documents in connection with uncompleted Work, plus fair and reasonable sums for overhead and profit on such expenses;
 - 3. all claims, costs, losses, and damages (including but not limited to all fees and charges of engineers, architects, attorneys, and other professionals and all court or arbitration or other dispute resolution costs) incurred in settlement of terminated contracts with Subcontractors, Suppliers, and others; and
 - 4. reasonable expenses directly attributable to termination.
- B. Contractor shall not be paid on account of loss of anticipated profits or revenue or other economic loss arising out of or resulting from such termination.

15.04 Contractor May Stop Work or Terminate

- A. If, through no act or fault of Contractor, (i) the Work is suspended for more than 90 consecutive days by Owner or under an order of court or other public authority, or (ii) Construction Coordinator fails to act on any Application for Payment within 30 days after it is submitted, or (iii) Owner fails for 30 days to pay Contractor any sum finally determined to be due, then Contractor may, upon seven (7) days written notice to Owner and Construction Coordinator, and provided Owner or Construction Coordinator do not remedy such suspension or failure within that time, terminate the Contract and recover from Owner payment on the same terms as provided in Paragraph 15.03.
- B. In lieu of terminating the Contract and without prejudice to any other right or remedy, if Construction Coordinator has failed to act on an Application for Payment within 30 days after it is submitted, or Owner has failed for 30 days to pay Contractor any sum finally determined

to be due, Contractor may, seven (7) days after written notice to Owner and Construction Coordinator, stop the Work until payment is made of all such amounts due Contractor, including interest thereon. The provisions of this Paragraph 15.04 are not intended to preclude Contractor from making a Claim under Paragraph 10.05 for an adjustment in Contract Price or Contract Times or otherwise for expenses or damage directly attributable to Contractor's stopping the Work as permitted by this Paragraph.

PART 16 - DISPUTE RESOLUTION

16.01 Methods and Procedures

- A. Either Owner or Contractor may request mediation of any Claim submitted to Construction Coordinator for a decision under Paragraph 10.05 before such decision becomes final and binding. The mediation will be governed by the Mediation Rules of the South Carolina Supreme Court in effect as of the Effective Date of the Agreement. The request for mediation shall stay the effect of paragraph 10.05.E.
- B. Owner and Contractor shall participate in the mediation process in good faith. The process shall be concluded within 60 days of the request.
- C. If the Claim is not resolved by mediation, Engineer's action under Paragraph 10.05.C or a denial pursuant to Paragraphs 10.05.C.3 or 10.05.D shall become final and binding 30 days after termination of the mediation unless, within that time period, Owner or Contractor:
 - 1. agrees with the other party to submit the Claim to another dispute resolution process, or
 - 2. gives written notice to the other party of their intent to submit the Claim to a court of competent jurisdiction.

PART 17 - MISCELLANEOUS

17.01 Giving Notice

- A. Whenever any provision of the Contract Documents requires the giving of written notice, it will be deemed to have been validly given if:
 - 1. delivered in person to the individual or to a member of the firm or to an officer of the corporation for whom it is intended, or
 - 2. delivered at or sent by registered or certified mail, postage prepaid, to the last business address known to the giver of the notice.

17.02 Computation of Times

- A. When any period of time is referred to in the Contract Documents by days, it will be computed to exclude the first and include the last day of such period. If the last day of any such period falls on a Saturday or Sunday or on a day made a legal holiday by the law of the applicable jurisdiction, such day will be omitted from the computation.

17.03 Cumulative Remedies

- A. The duties and obligations imposed by these General Conditions and the rights and remedies available hereunder to the parties hereto are in addition to, and are not to be construed in any way as a limitation of, any rights and remedies available to any or all of them which are otherwise imposed or available by Laws or Regulations, by special warranty or guarantee, or by other provisions of the Contract Documents. The provisions of this Paragraph will be as

effective as if repeated specifically in the Contract Documents in connection with each particular duty, obligation, right, and remedy to which they apply.

17.04 Survival of Obligations

- A. All representations, indemnifications, warranties, and guarantees made in, required by, or given in accordance with the Contract Documents, as well as all continuing obligations indicated in the Contract Documents, will survive final payment, completion, and acceptance of the Work or termination or completion of the Contract or termination of the services of Contractor.

17.05 Controlling Law

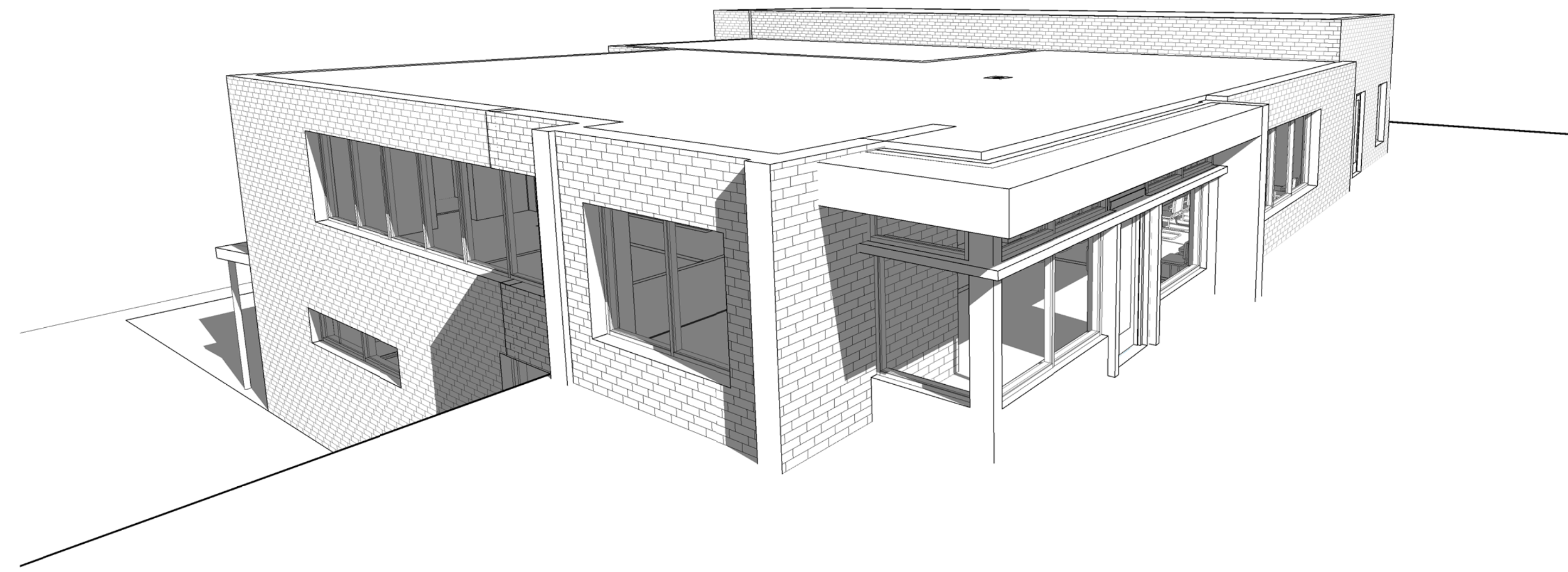
- A. This Contract is to be governed by the law of the State of South Carolina.

17.06 Headings

- A. Part and paragraph headings are inserted for convenience only and do not constitute parts of these General Conditions.

COLLETON COUNTY MAGISTRATE BUILDING

40 KLIEN STREET
WALTERBORO, SOUTH CAROLINA 29488



ARCHITECT

GLICK/BOEHM & ASSOCIATES
493 KING STREET, SUITE 100
CHARLESTON, SOUTH CAROLINA 29403
843.577.6377

MEP ENGINEER

DWG CONSULTING ENGINEERS
1009 ANNA KNAPP BOULEVARD, SUITE 202
MOUNT PLEASANT, SC 29464
843.849.1141

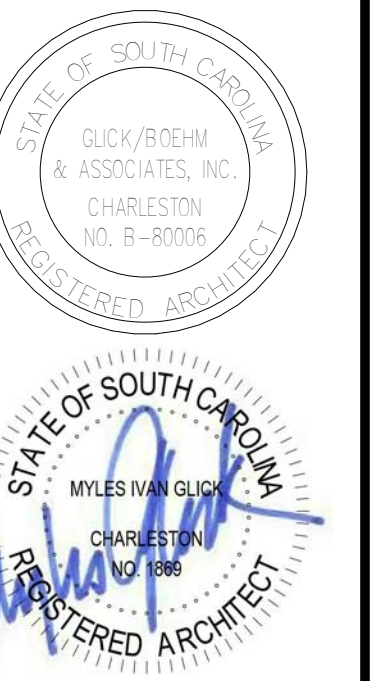
PROJECT SCOPE

1. DEMOLISH DESIGNATED BATHROOM TO INCLUDE EXISTING ENTRANCE DOOR, PROVIDE NEW ENTRANCE (DOOR), CEILING, AND ADA BATHROOM FEATURES PER ARCHITECTURAL DRAWINGS.
2. DEMOLISH DESIGNATED ENTRANCE (DOOR), WALLS, AND CEILINGS TO PROVIDE FOR NEW HALLWAY IN ACCORDANCE WITH THE DRAWINGS. PROVIDE NEW FRAMED ENTRANCE AND EXIT THROUGH HALLWAY, CEILINGS (WITH BULKHEAD FOR DUCT WORK AND WALLED CLOSET/DUCT SHAFT PER ARCHITECTURAL DRAWINGS.

DRAWING LIST

SHEET NO.	SHEET TITLE
GENERAL	
G000	COVER SHEET
DEMOLITION	
AD100	DEMOLITION FIRST FLOOR PLAN
ARCHITECTURAL	
A100	FIRST FLOOR PLAN
MECHANICAL	
M001	HVAC NOTES & LEGENDS
M002	HVAC DETAILS & SECTIONS
M101	HVAC RENOVATION PLAN
ELECTRICAL	
E001	ELECTRICAL NOTES & LEGENDS
E002	ELECTRICAL SCHEDULES & DETAILS
E101	ELECTRICAL RENOVATION PLAN
PLUMBING	
P101	PLUMBING RENOVATION PLAN

REV. NO.	DATE	DESCRIPTION

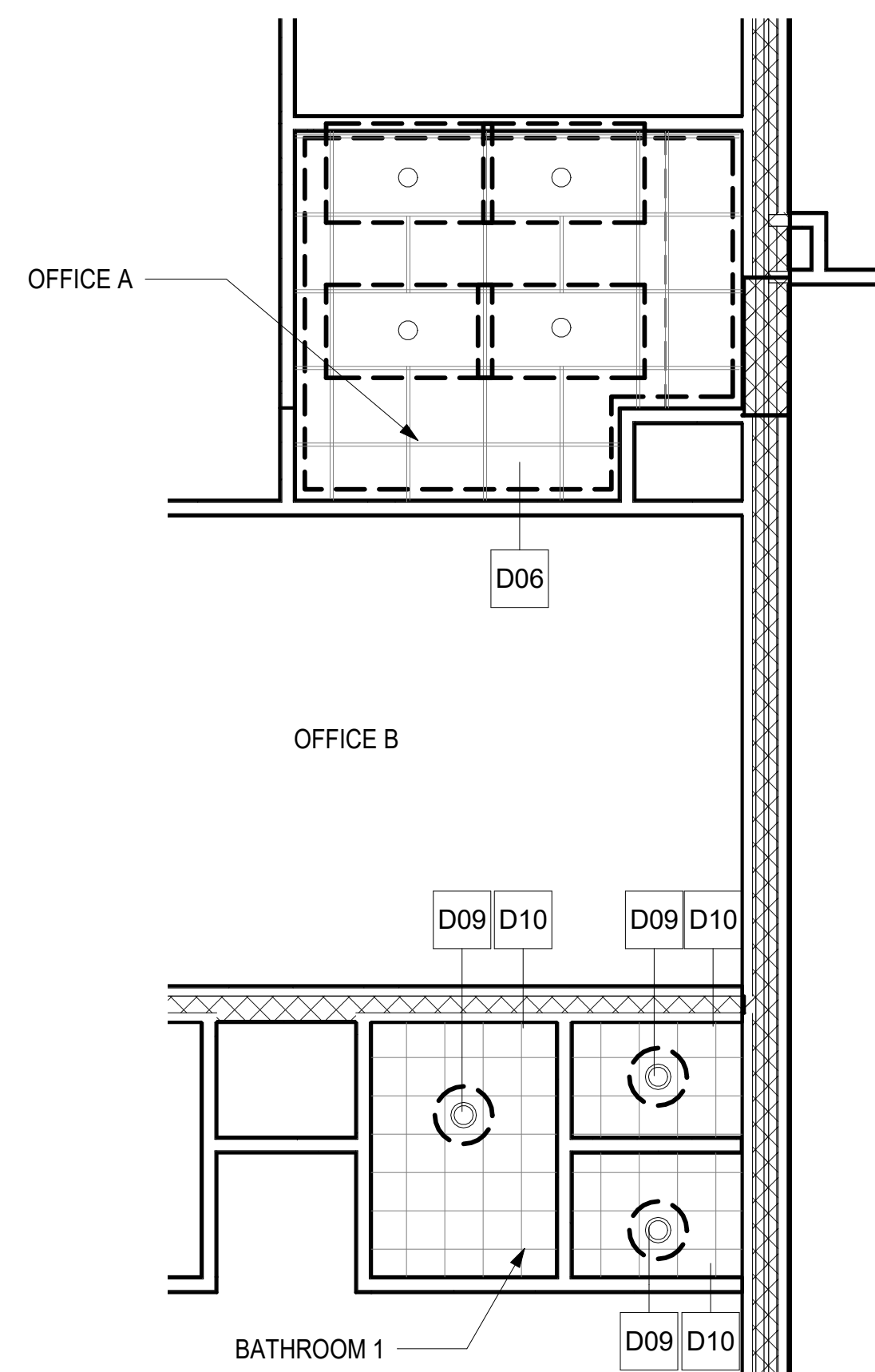


COLLETON COUNTY MAGISTRATE BUILDING
COLLETON COUNTY
40 KLIEN STREET
WALTERBORO, SC 29488

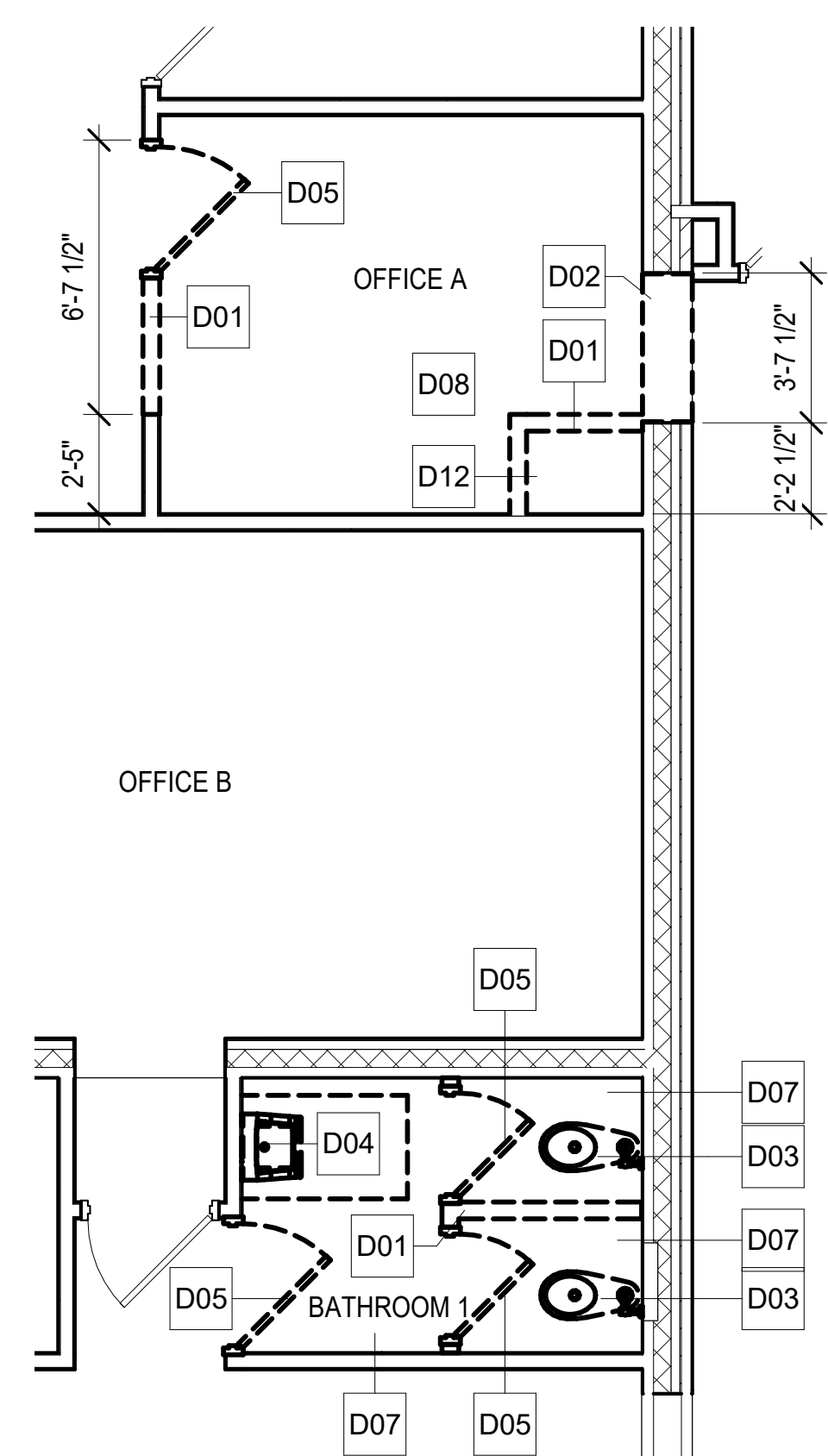
COPYRIGHT © 2020
GLICK/BOEHM & ASSOCIATES, INC.
JOB NUMBER: 1945
PROJECT MGR.: SM
DRAWN BY: DR
CHECKED BY: DR
APPROVED BY: SM
DATE ISSUED FOR: 07/29/2020
CD'S

COVER SHEET

G000



3 DEMOLITION - PARTIAL FIRST FLOOR CEILING PLAN
AD100 / SCALE: 1/4" = 1'-0"



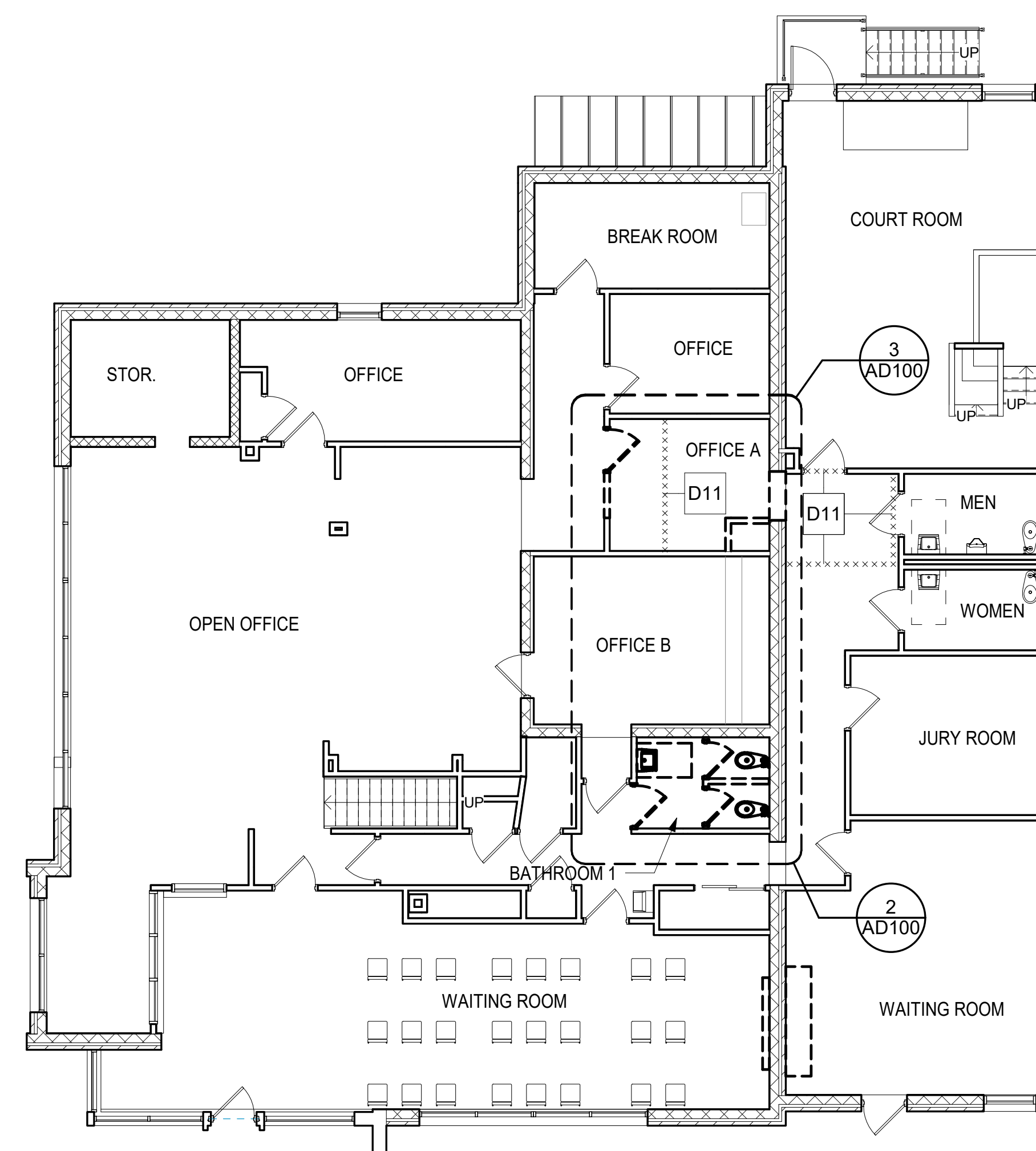
2 DEMOLITION - PARTIAL FIRST FLOOR PLAN
AD100 / SCALE: 1/4" = 1'-0"

KEYNOTE LEGEND	
KEY VALUE	KEYNOTE TEXT
D01	DEMOLISH WALL, TO INCLUDE ANY FINISH, TRIM, GYPSUM BOARD, STUDS, AND ANY INSULATION, COMPLETE.
D02	DEMOLISH CM/MASONRY WALL, TO INCLUDE ANY FINISH AND TRIM, COMPLETE. SEE SSK-1 & SSK-2 ON SHEET A100. DEMO OF STRUCTURAL WALL SHALL BE PERFORMED ON SATURDAY AND/OR SUNDAY OF APPROVED WEEK.
D03	DEMOLISH TOILET AND ACCOMPANYING HARDWARE-PREPARE FOR NEW WORK. REFER TO PLUMBING FOR ADDITIONAL INFORMATION.
D04	DEMOLISH DEMOLISH SINK AND ACCOMPANYING HARDWARE-PREPARE FOR NEW WORK. REFER TO PLUMBING FOR ADDITIONAL INFORMATION.
D05	DEMOLISH EXISTING DOOR, FRAME, AND ANY ACCOMPANYING HARDWARE.
D06	DEMOLISH EXISTING CEILING. REMOVE LIGHTING FOR REINSTALLATION.
D07	DEMOLISH FLOOR TILE DOWN TO CONCRETE SLAB AND DEMOLISH TILE BASE.
D08	DEMOLISH CARPET AND BASE.
D09	DEMOLISH EXISTING LIGHT.
D10	DEMOLISH EXISTING WOOD CROWN MOULDING.
D11	PROVIDE PLASTIC PARTITION FOR DEMOLITION OF MASONRY WALL. AREA TO BE CLEANED BY 8AM, MONDAY MORNING.
D12	PROVIDE TEMPORARY HVAC IN ALL SPACES AFFECTED WHILE EXISTING HVAC SYSTEM IS NOT OPERATIONAL DURING DEMOLITION/REMODEL.

LEGEND & SYMBOLS	
	2' X 2' ACT CEILING GRID SYSTEM
	BATHROOM CEILING
	NEW WALL
	2' X 4' LIGHT FIXTURE
	LIGHT FIXTURE
	DEMOLITION KEYNOTE TAG
	EXISTING DOOR
	WALL SOFFIT
	WALL TYPE
	CEILING HEIGHT TAG
	VERTICAL DATUM MARKER

GENERAL DEMOLITION NOTES	
1	ELEMENTS OR PORTIONS OF ELEMENTS TO BE REMOVED ARE SHOWN DASHED. REFER TO KEY NOTES FOR ADDITIONAL CLARIFICATION FOR PARTIALLY REMOVED OR REUSED ELEMENTS. RETURN UN-USED DOORS, HARDWARE, AND ACCESSORIES TO OWNER.
2	VERIFY EXISTING CONDITIONS OF SPACE PRIOR TO DEMOLITION WORK.
3	AREAS OF DEMOLITION ARE APPROXIMATE. GENERAL CONTRACTOR TO COORDINATE TO COORDINATE DEMOLITION WITH EXISTING CONDITIONS, NEW CONSTRUCTION, AND ADDITIONAL SCOPE OF WORK INCLUDED IN MECHANICAL, PLUMBING, AND ELECTRICAL DOCUMENTS.
4	WALL DEMOLITION TO INCLUDE FRAMING, SHEATHING, FINISHES AND ALL APPURTENANCES.
5	ANY HIDDEN STRUCTURAL COLUMNS OR SUPPORT IS TO BE BROUGHT TO THE ATTENTION OF THE ARCHITECT PRIOR TO REMOVAL. ANY BUILDING SUPPORT WHICH DEVIATES FROM THAT SHOWN OR IS IN QUESTION IS TO BE BROUGHT TO ARCHITECT'S ATTENTION IMMEDIATELY.
6	REFER TO MECHANICAL, PLUMBING, AND ELECTRICAL DOCUMENTS FOR REMOVAL AND CAPPING OF SERVICES FOR ITEMS SHOWN TO BE REMOVED.
7	CONTRACTOR SHALL TAKE NECESSARY PRECAUTIONS TO PROTECT EXISTING FLOORING AND FINISHES TO REMAIN.
8	REMOVE ALL ABANDONED ACCESSORIES AND DEVICES NOT OTHERWISE NOTED. PATCH DRYWALL AND PREP FOR NEW FINISHES.
9	REFER TO STRUCTURAL, PLUMBING, MECHANICAL, ELECTRICAL FOR OTHER DEMOLITION. CONTRACTOR TO COORDINATE DEMOLITION REQUIRED BY OTHER DISCIPLINES AND COMPLETE PREPARATION FOR NEW WORK.
10	EXISTING CONSTRUCTION TO REMAIN SHALL BE PROTECTED DURING DEMOLITION AND NEW WORK CONSTRUCTION ACTIVITIES.
11	THE EXTENT OF DEMOLITION INDICATED IS BASED ON AS BUILT DRAWING PROVIDED BY THE OWNER AND FIELD OBSERVATIONS. ANY DISCREPANCIES BETWEEN ACTUAL CONDITIONS AND THOSE INDICATED ARE TO BE BROUGHT TO THE ATTENTION OF THE ARCHITECT AS SOON AS DISCREPANCIES ARE DISCOVERED.
12	DEMOLITION PLANS AND ELEVATIONS SHOW THE INTENT OF DEMOLITION TO BE PERFORMED. ALL DASHED ITEMS ARE TO BE DEMOLISHED COMPLETE. CONTRACTOR SHALL INCLUDE ALL DEMOLITION, CUTTING AND PATCHING REQUIRED FOR NEW CONSTRUCTION. REFER TO OTHER DISCIPLINES (CIVIL STRUCTURAL, MECHANICAL, ELECTRICAL, PLUMBING AND FIRE PROTECTION) DEMOLITION DRAWINGS FOR ADDITIONAL ITEMS TO BE DEMOLISHED. THE CONTRACTOR SHALL REPORT ANY DISCREPANCIES BETWEEN DISCIPLINES DEMOLITION AND NEW WORK TO THE ARCHITECT. IT IS THE RESPONSIBILITY OF THE CONTRACTOR TO SHORE, BRACE AND/OR SECURE MATERIALS AND STRUCTURE TO REMAIN.
13	WHERE EXISTING WALL, CEILING, ROOF OR FLOOR SYSTEMS ARE TO REMAIN AND ARE DISTURBED BY DEMOLITION, THEY SHALL BE REPAIRED AS REQUIRED TO MATCH ORIGINAL INTEGRITY AND ADJACENT CONSTRUCTION.
14	PROVIDE TEMPORARY HVAC IN ALL SPACES AFFECTED WHILE EXISTING HVAC SYSTEM IS NOT OPERATIONAL DURING DEMOLITION/REMODEL.

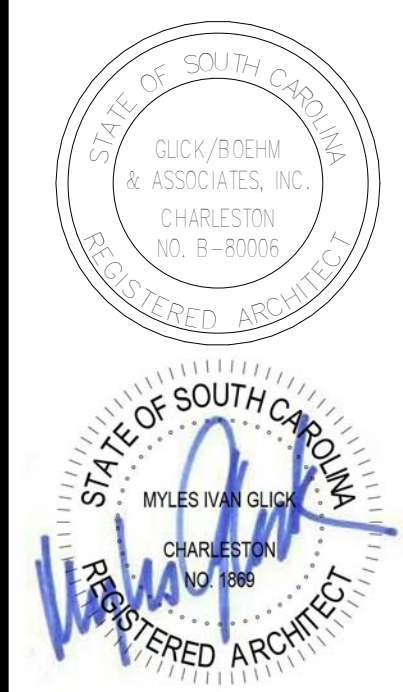
DEMOLITION CEILING NOTES	
1	REFER TO DEMOLITION PLANS FOR ADDITIONAL DEMOLITION INFORMATION.
2	COORDINATE DEMOLITION AND NEW WORK WITH ELECTRICAL / MECHANICAL / PLUMBING DRAWINGS.



1 DEMOLITION FIRST FLOOR PLAN
AD100 / SCALE: 1/8" = 1'-0"



REV. NO.	DATE	DESCRIPTION

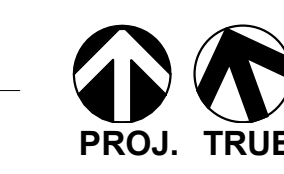


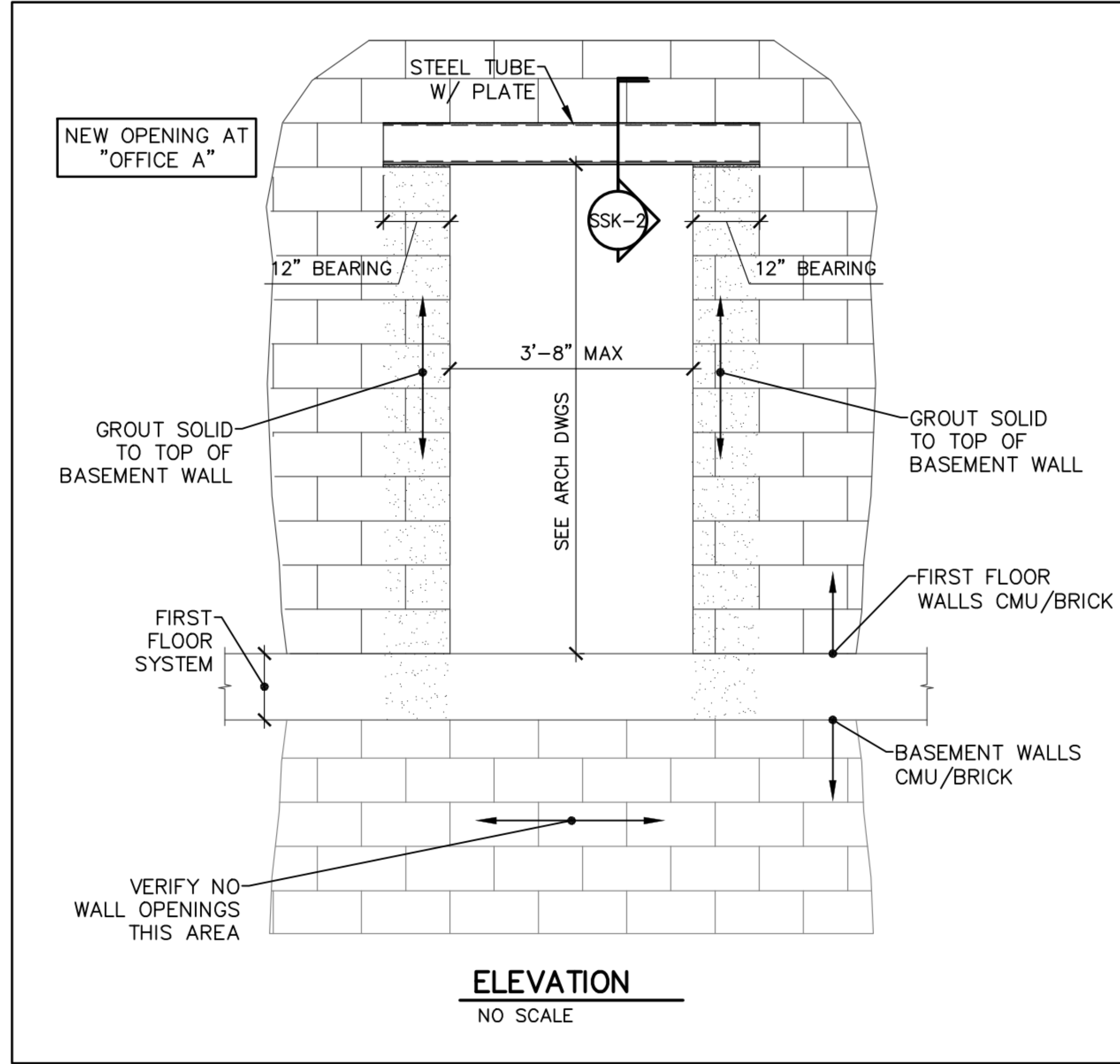
COLLETON COUNTY MAGISTRATE BUILDING
COLLETON COUNTY
40 KLIEN STREET
WALTERBORO, SC 29488

COPYRIGHT © 2020
GLICK/BOEHM & ASSOCIATES, INC.
JOB NUMBER: 1945
PROJECT MGR.: SM
DRAWN BY: Author
CHECKED BY: Checker
APPROVED BY: Approver
DATE ISSUED FOR: CD'S
07/29/2020

DEMOLITION FIRST FLOOR PLAN

AD100





SOUTH CAROLINA PROFESSIONAL REGISTERED ENGINEER
MARVIN C. CALDWELL
No. 20908

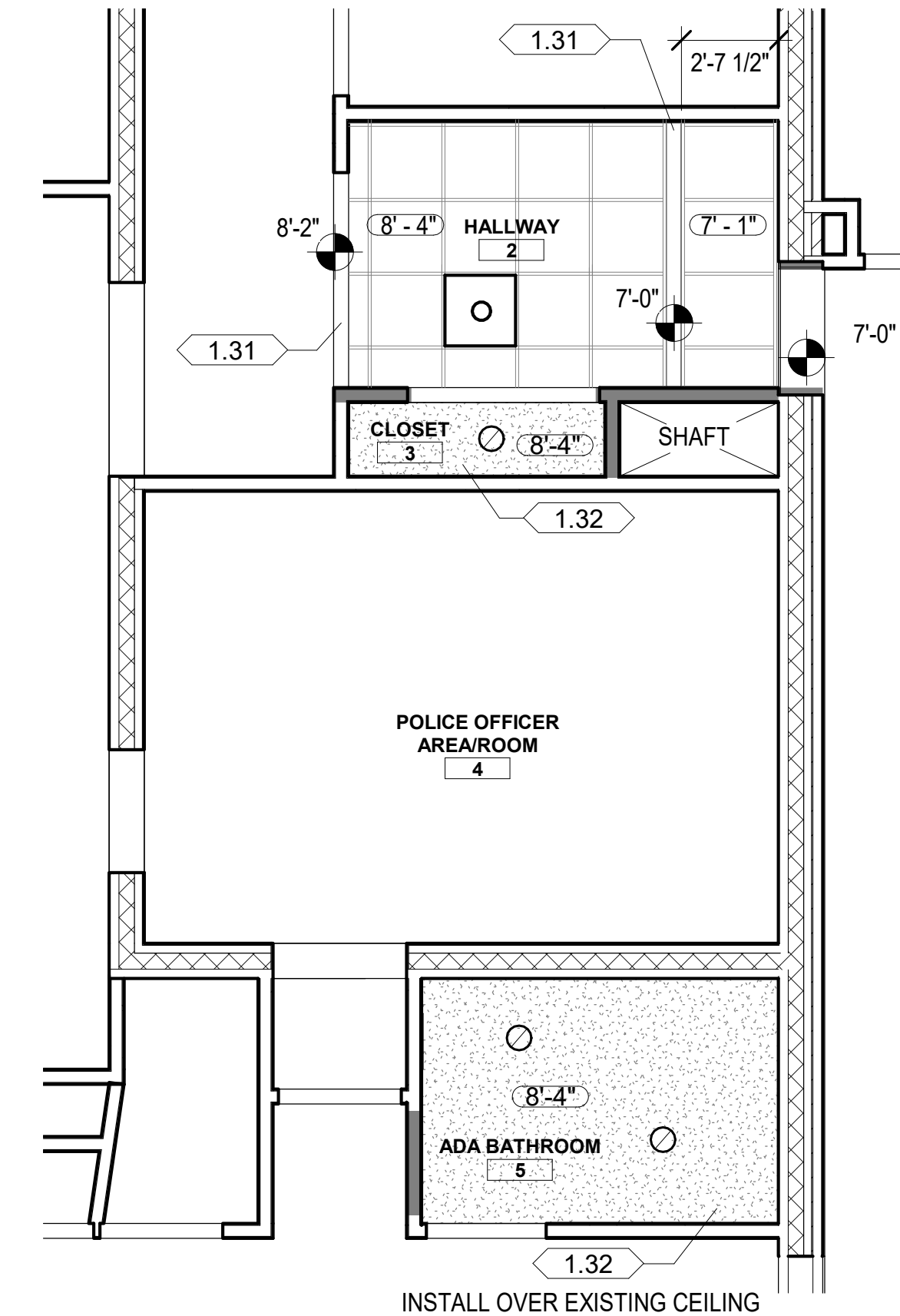
SOUTH CAROLINA CERTIFICATE OF AUTHORIZATION
ATLANTIC ENGINEERING LLC
No. 03416

Atlantic ENGINEERING
Atlantic Engineering, LLC 873 Lowcountry Blvd., Suite 210
Mount Pleasant, SC 29564 www.AtlanticEngineering.com

MAGISTRATE BUILDING
COLLETON COUNTY

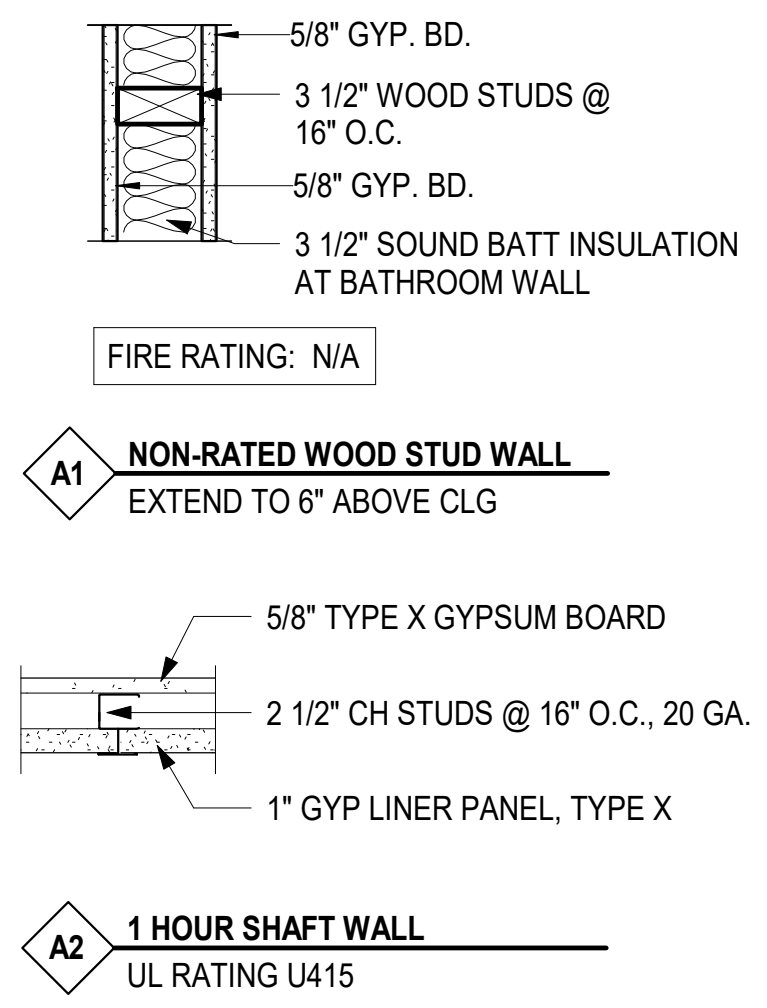
DATE 06 JULY 2020
ATL PROJ 200400

SSK-1



3 FIRST FLOOR PARTIAL CEILING PLAN
A100 SCALE: 1/4" = 1'-0"

KEY VALUE	KEYNOTE TEXT
1.31	PROVIDE NEW GYPSUM BOARD BULKHEAD; PAINT TO MATCH EXISTING.
1.32	PROVIDE GYPSUM CEILING; PAINT. REFER TO ELECTRICAL.
1.33	PROVIDE NEW WOOD SLIDING CLOSET DOORS; MATCH EXISTING DOOR FINISH.
6.30	INFILL WITH NEW WALL: WOOD STUD, BATT INSULATION, GYPSUM BOARD, TRIM. PAINT TO MATCH EXISTING.
8.01	PROVIDE 3'X7' WOOD DOOR, HARDWARE AND WOOD FRAME. PROVIDE DOOR HINGES, PRIVACY LOCK AND DOOR STOP.
8.02	PROVIDE 3'X7' WOOD DOOR WITH HALF SAFETY GLASS AND WOOD FRAME. PROVIDE DOOR HINGES, DOOR WALL STOP, AND COMBO LOCK & LEVER; SCHLAGE FE595 OR EQUAL.
8.30	ROUGH-IN AND FINISH SURROUND/EDGE OF REMOVED WALL; MATCH EXISTING.
9.31	PAINT ALL WALLS. COLOR TO BE SELECTED BY OWNER.
9.32	STRIP AND WAX EXISTING VCT FLOORING.
9.34	CONTRACTOR TO INSTALL NEW CARPET TO MATCH EXISTING. CARPET WILL BE PROVIDED BY OWNER.
9.35	INSTALL 12" X 12" PORCELAIN TILE AND 3" BULLNOSE BASE, DAL TILE VOLUME 1.0 AURAL SAND VL77 OR EQUAL.
9.36	PAINT EXISTING WOOD PANELING. COLOR TO BE SELECTED BY OWNER.



GENERAL PLAN NOTES

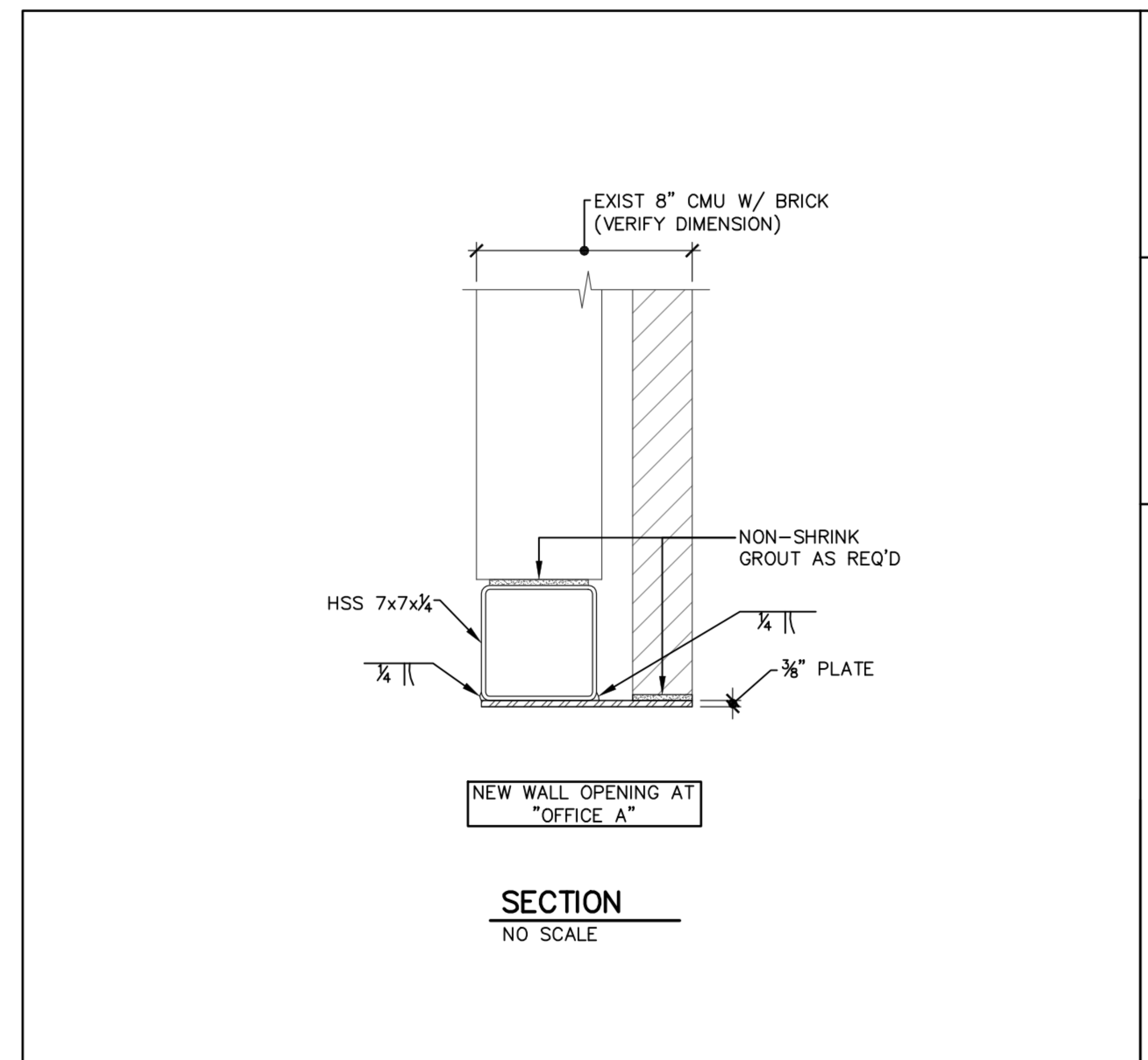
- BEFORE BEGINNING CONSTRUCTION, THE CONTRACTOR SHALL TAKE FIELD MEASUREMENTS AND VERIFY EXISTING CONDITIONS AND COMPARE RESULTS
- PROVIDE A MINIMUM OF 20 GAUGE SHEET METAL BLOCKING OR WOOD BLOCKING FOR ALL WALL MOUNTED CABINETS, SHELVES, EQUIPMENT, ACCESSORIES, SOAP DISPENSERS, PAPER TOWEL DISPENSERS/ GRAB BARS AND TV'S.
- REFER TO A420 FOR INTERIOR ELEVATIONS.
- REFER TO G200 LIFE SAFETY PLAN FOR FIRE EXTINGUISHER TYPES AND LOCATIONS.
- DO NOT SCALE PLANS.

PLAN NOTES

- ALL NEW STUD WALLS SHALL BE TYPE A1 U.N.O.

LEGEND & SYMBOLS

	2 X 2 ACT CEILING GRID SYSTEM; REFER TO FINISH SCHEDULE, AXX
	GYPSUM BOARD CEILING SYSTEM; REFER TO FINISH SCHEDULE, A140
	NEW WALL
	2 X 2 LIGHT FIXTURE; REFER TO ELECTRICAL DRAWINGS
	RECESSED CAN LIGHT FIXTURE; REFER TO ELECTRICAL DRAWINGS
	SUPPLY DIFFUSER; REFER TO MECHANICAL DRAWINGS
	RETURN DIFFUSER; REFER TO MECHANICAL DRAWINGS
	NEW DOOR
	WALL SOFFIT
	WALL TYPE
	NEW CONSTRUCTION KEYNOTE TAG
	CEILING HEIGHT TAG
	VERTICAL DATUM MARKER



SOUTH CAROLINA PROFESSIONAL REGISTERED ENGINEER
MARVIN C. CALDWELL
No. 20908

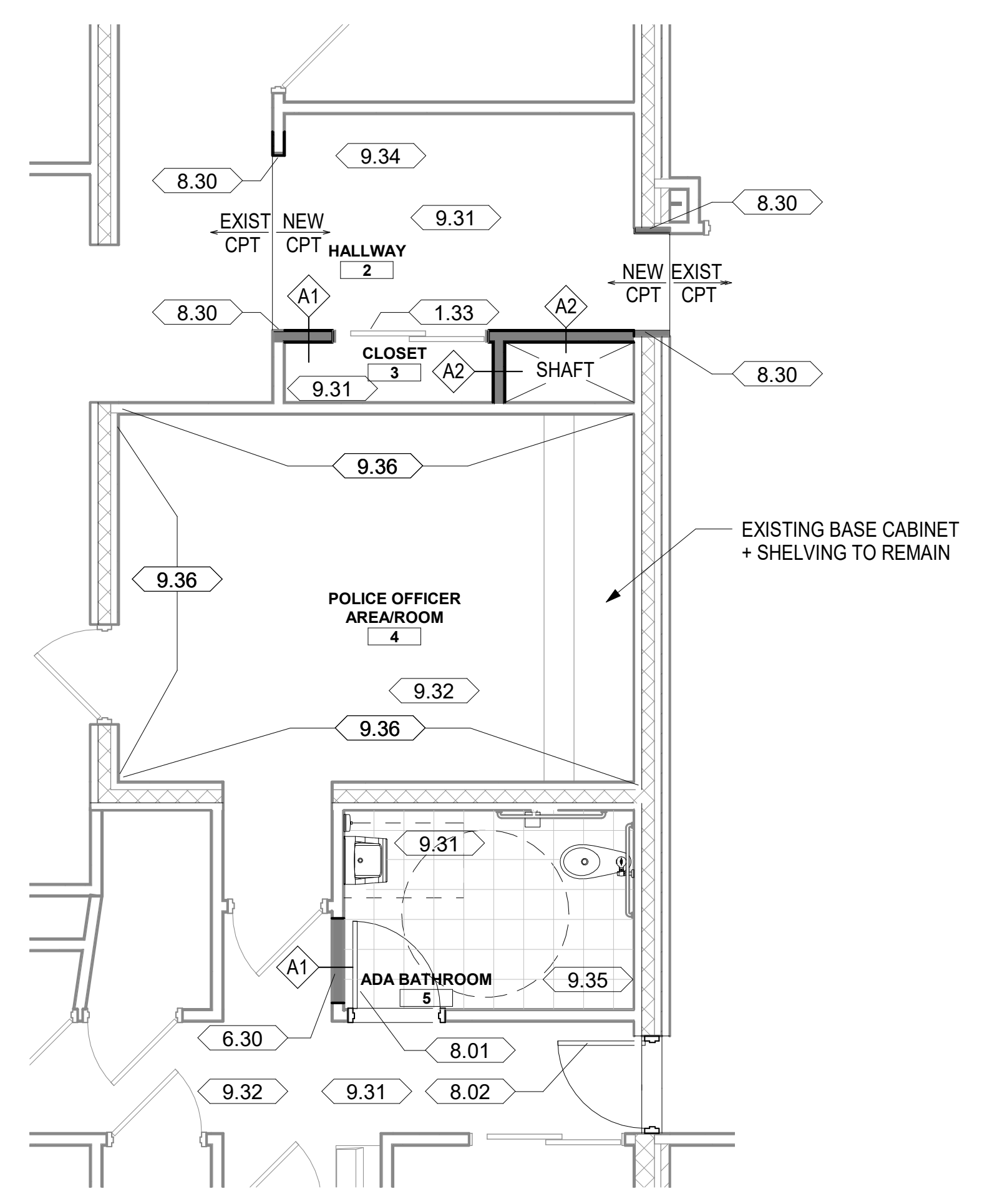
SOUTH CAROLINA CERTIFICATE OF AUTHORIZATION
ATLANTIC ENGINEERING LLC
No. 03416

Atlantic ENGINEERING
Atlantic Engineering, LLC 873 Lowcountry Blvd., Suite 210
Mount Pleasant, SC 29564 www.AtlanticEngineering.com

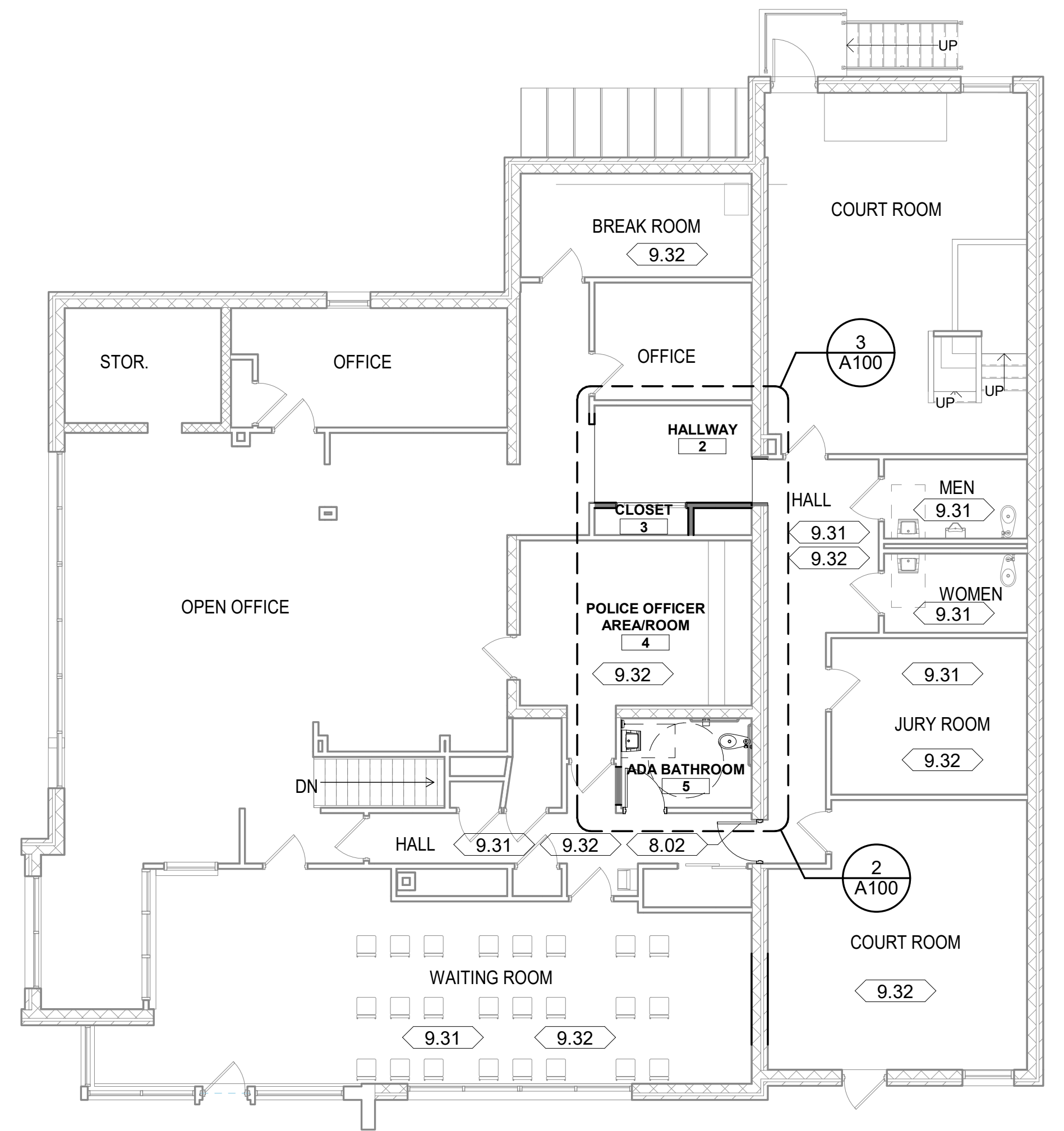
MAGISTRATE BUILDING
COLLETON COUNTY

DATE 06 JULY 2020
ATL PROJ 200400

SSK-2



2 NEW CONSTRUCTION FIRST FLOOR PLAN
A100 SCALE: 1/4" = 1'-0"



1 NEW CONSTRUCTION FIRST FLOOR PLAN
A100 SCALE: 1/8" = 1'-0"

GBA

GLICK/BOEHM ARCHITECTURE
ARCHITECTURE PLANNING INTERIOR DESIGN
493 King Street, Suite 100
Charleston, South Carolina 29403
P84157272708 www.gba.com

REV. NO.	DATE	DESCRIPTION

STATE OF SOUTH CAROLINA
GLICK/BOEHM & ASSOCIATES, INC.
CHARLESTON, SC
REGISTERED ARCHITECT

STATE OF SOUTH CAROLINA
MARVIN CALDWELL
CHARLESTON, SC
REGISTERED ARCHITECT

COLLETON COUNTY MAGISTRATE BUILDING
COLLETON COUNTY
40 KLIEN STREET
WALTERBORO, SC 29488

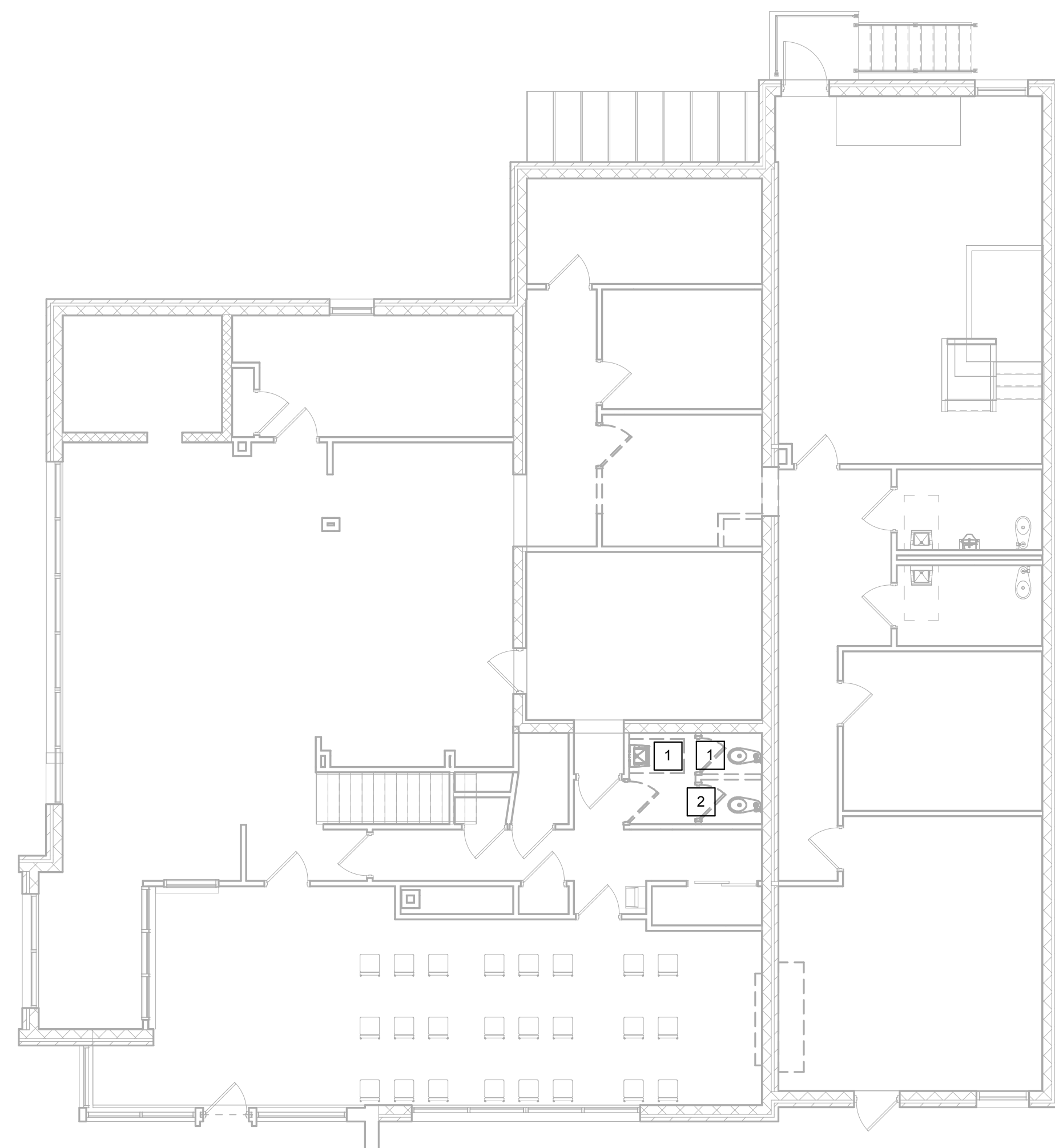
COPYRIGHT © 2020
GLICK/BOEHM & ASSOCIATES, INC.
JOB NUMBER: 1945
PROJECT MGR.: SM
DRAWN BY: Author
CHECKED BY: Checker
APPROVED BY: Approver
DATE ISSUED FOR: CD'S
07/29/2020

FIRST FLOOR PLAN

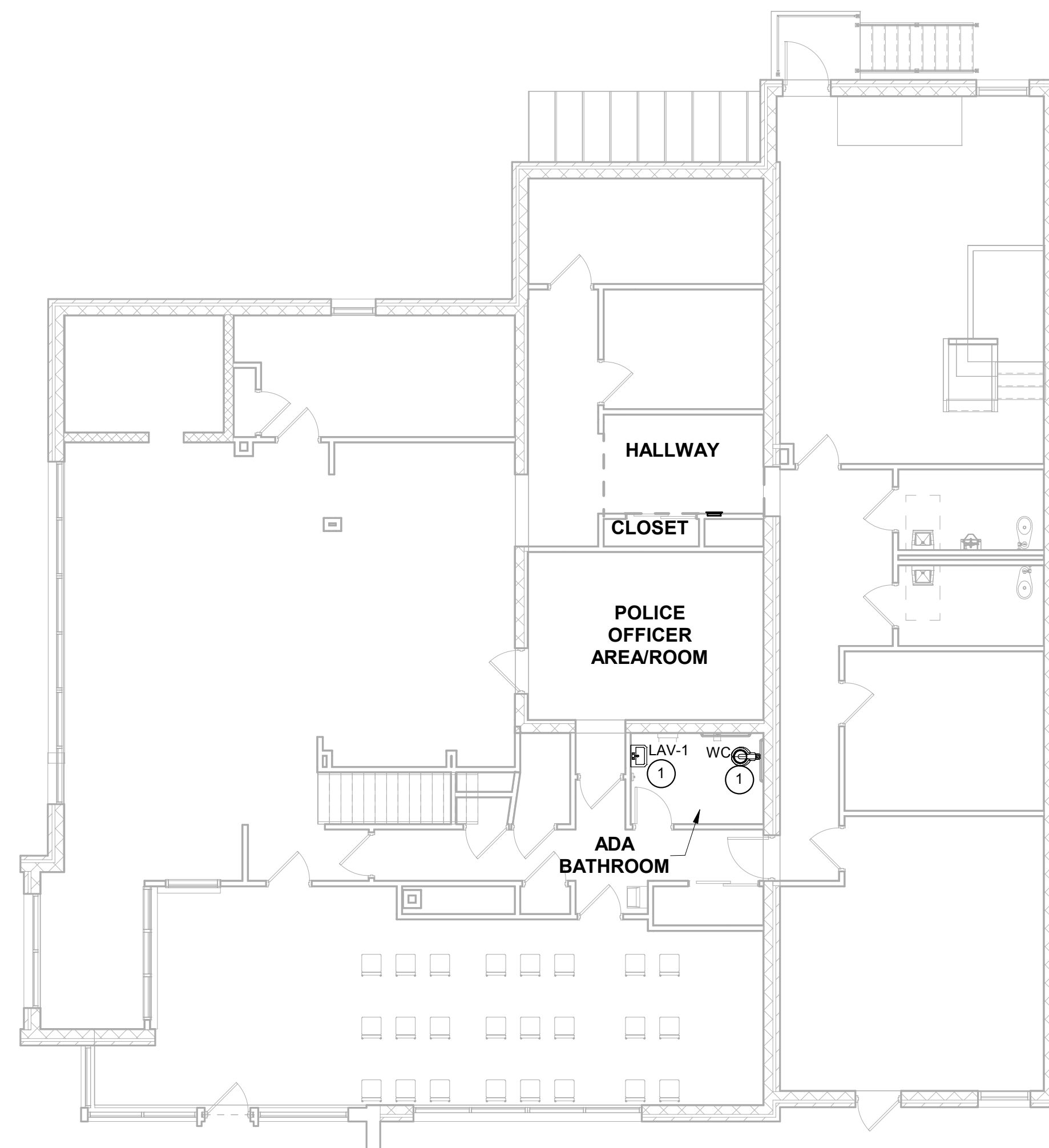
A100

GENERAL PLUMBING NOTES

1. PROVIDE ALL MATERIALS AND LABOR NECESSARY FOR A COMPLETE PLUMBING SYSTEM.
2. DO NOT SCALE DRAWINGS. OBTAIN ROUGH-IN DIMENSIONS FROM ARCHITECTURAL DRAWINGS OR FROM MANUFACTURERS PRINTED INSTRUCTIONS ONLY.
3. COORDINATE PLUMBING SYSTEMS WITH ALL TRADES TO AVOID CONFLICTS PRIOR TO INSTALLATION OF PLUMBING COMPONENTS.
4. OBTAIN ALL PERMITS AND INSPECTIONS FROM AUTHORITY HAVING JURISDICTION. THIS INCLUDES ALL FEES THAT MAY BE REQUIRED.
5. PROVIDE OWNER WITH CERTIFICATES OF FINAL INSPECTION FROM AUTHORITY HAVING JURISDICTION.
6. WHENEVER THE WORD "PROVIDE" IS USED, IT SHALL MEAN FURNISH AND INSTALL COMPLETE AND READY FOR USE.
7. UNLESS OTHERWISE SHOWN OR NOTED, ALL PIPING SHALL BE RUN CONCEALED IN WALLS, CHASES AND/OR ABOVE CEILINGS.
8. ALL SUSPENDED PIPING SHALL BE SUPPORTED FROM BUILDING STRUCTURAL MEMBERS. IN NO CASE SHALL PIPING BE SUSPENDED FROM FLOOR OR ROOF DECK.
9. WHERE PIPES PENETRATE FIRE RATED ASSEMBLIES, SEAL OPENING AROUND PIPES WITH U.L. LISTED FIRE STOPPING MATERIAL TO MAINTAIN THE FIRE RATING OF THE ASSEMBLY.
10. PROVIDE INSULATION FOR PIPING COLLECTING CONDENSATE DRAIN.
11. PROVIDE HANGERS AND SUPPORTS WITHIN 12" OF EACH HORIZONTAL ELBOW FOR SANITARY AND VENT PIPING.
12. ALL CONNECTIONS TO, OR SHUTDOWN OF, EXISTING SYSTEMS SHALL BE COORDINATED WITH THE OWNER TO PROVIDE MINIMAL INTERFERENCE WITH THEIR OPERATIONS AND DOWNTIME OF THE SYSTEM.
13. AREAS OF WORK EXIST FOR THE PROJECT WHICH WERE NOT ACCESSIBLE OR PROVIDED LIMITED ACCESS DURING DESIGN. AS SUCH, CONTRACTOR SHALL VERIFY ALL UTILITIES IN AREA OF WORK INCLUDING LOCATION AND INVERT ELEVATION BEFORE DEMOLITION OF ANY SERVICE. ANY PIPING NOT SHOWN SHALL BE IDENTIFIED AND THE ARCHITECT AND ENGINEER SHALL BE NOTIFIED AS SOON AS POSSIBLE. NO PIPING REWORK SHALL BE COMENCED WITHOUT COORDINATION OF BOTH ARCHITECT AND ENGINEER.
14. IN AREAS WHERE THE EXISTING CEILINGS ARE NOT SLATED TO BE REPLACED, THE CONTRACTOR SHALL WORK THROUGH THE EXISTING CEILING (SEE ARCHITECTURAL REFLECTED CEILING PLAN FOR AREA OF WORK). THE CONTRACTOR SHALL BE RESPONSIBLE FOR REPLACING ANY DAMAGED TILE OR GRID THAT IS A RESULT OF THEIR WORK.



1
P101 **FIRST FLOOR PLUMBING DEMOLITION PLAN**
SCALE: 1/8" = 1'-0"



2
P101 **FIRST FLOOR PLUMBING RENOVATION PLAN**
SCALE: 1/8" = 1'-0"

KEYNOTES

DEMOLITION:

1. PLUMBING FIXTURES INDICATED SHALL BE DEMOLISHED AND REPLACED IN THE SAME LOCATION AS EXISTING. EXISTING PIPING SHALL BE KEPT IN WORKING CONDITION.
2. PLUMBING FIXTURES AND ASSOCIATED COMPONENTS SHALL BE DEMOLISHED COMPLETE, AND SHALL BE RENOVATED TO ACCOMMODATE NEW FLOOR PLAN. SEE RENOVATION PLAN. PLUMBING LINES SHALL BE CAPPED AND SEALED WITHIN WALL, BELOW FLOOR, AND/OR ABOVE CEILING SUCH THAT IT'S NOT VISIBLE AS A FINISHED PRODUCT.

RENOVATION:

1. INSTALL NEW FIXTURE IN SAME LOCATION AS EXISTING. RECONNECT TO WATER, SEWER, AND VENT PIPING. REPLACE SUPPLY STOPS, TOILET FLANGE.



REV. NO.	DATE	DESCRIPTION



GENERAL NOTES

1. WHERE PIPE RUNOUT SIZE IS NOT SHOWN, REFER TO PLUMBING FIXTURE SCHEDULE FOR CONNECTION SIZE.
2. PROVIDE ASSE 1070 APPROVED TEMPERATURE LIMITING DEVICE FOR EACH BATHROOM LAVATORY TO PROVIDE 110 DEGREE F WATER.

PLUMBING SYSTEMS SEISMIC AND WIND REQUIREMENTS PER IBC-2018/ASCE 7-16

- A. PER THE 2018 INTERNATIONAL BUILDING CODE, MECHANICAL, PLUMBING AND ELECTRICAL EQUIPMENT AND COMPONENTS, INCLUDING THEIR SUPPORTS AND ATTACHMENTS, SHALL BE DESIGNED FOR SEISMIC FORCES IN ACCORDANCE WITH CHAPTER 13 OF ASCE 7-16.
- B. EXTERIOR EQUIPMENT (INCLUDING ROOF CURBS, RAILS, SUPPORTS) EXPOSED TO WIND SHALL BE DESIGNED AND INSTALLED TO RESIST THE WIND PRESSURES DETERMINED IN ACCORDANCE WITH CHAPTER 26 TO 29 OF ASCE 7-16.
- C. WHERE DESIGN FOR SEISMIC AND WIND LOADS IS REQUIRED, THE MORE DEMANDING FORCE MUST BE USED.
- D. REFERENCE THE STRUCTURAL DRAWINGS FOR SITE SPECIFIC INFORMATION ON SEISMIC DESIGN CATEGORY, WIND SPEEDS, ETC.
- E. USE THE TABLE BELOW TO DETERMINE SEISMIC RESTRAINT REQUIREMENTS FOR EACH COMPONENT.
- F. FOR ALL COMPONENTS REQUIRING SEISMIC RESTRAINT, THE COMPONENT SUPPORTS AND ATTACHMENTS SHALL BE DESIGNED BY A REGISTERED DESIGN PROFESSIONAL REGISTERED IN THE STATE THE JOB IS LOCATED. SUBMITTALS MUST INCLUDE STAMPED AND SIGNED DRAWINGS AND CALCULATIONS.
- G. WHERE SEISMIC RESTRAINT IS REQUIRED, HOUSEKEEPING PADS NEEDED FOR THE INSTALLATION OF EQUIPMENT UNDER THIS CONTRACT MUST BE DESIGNED BY THE SEISMIC ENGINEER. DO NOT POUR ANY HOUSEKEEPING PADS PRIOR TO THE RECEIPT OF THE APPROVED SEISMIC SUBMITTAL.
- H. SEISMIC RESTRAINTS FOR DUCTWORK, PIPING, CONDUIT, CABLE TRAYS AND BUS DUCT MUST BE SHOWN ON LAYOUT DRAWINGS SHOWING SPECIFIC RESTRAINT LOCATIONS ALONG WITH ACCOMPANYING DETAILS AND CALCULATIONS.

PLUMBING COMPONENT IMPORTANCE FACTOR (Ip) DESIGNATION

Ip = 1.0 **Ip = 1.5**

- ALL PLUMBING COMPONENTS EXCEPT AS LISTED UNDER Ip = 1.5

SEISMIC DESIGN CATEGORIES D,E,F

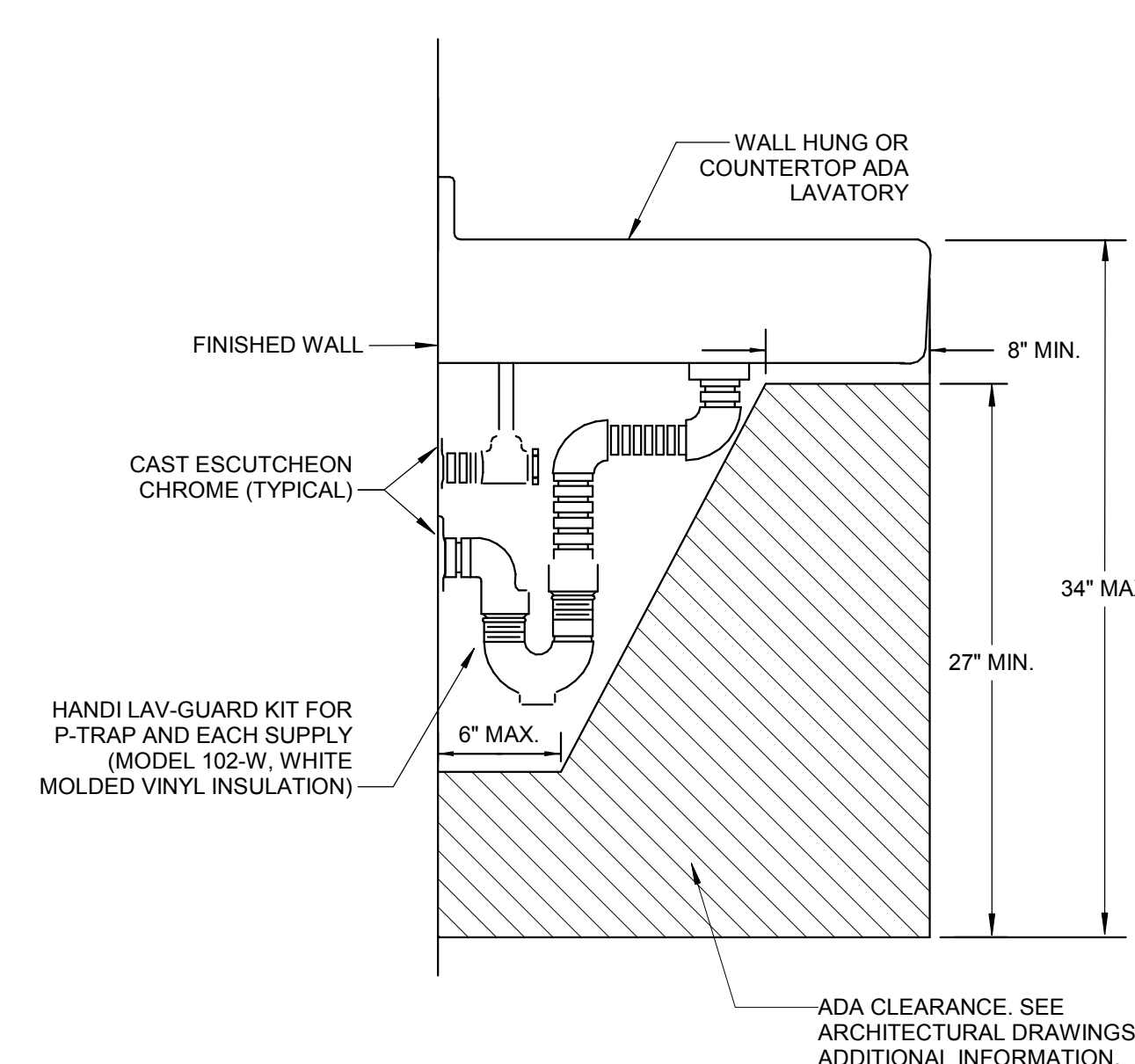
COMPONENT IDENTIFICATION	SEISMIC RESTRAINT REQUIREMENT	COMPONENT IMPORTANCE FACTOR (Ip)	
		1.0	1.5
ROOF MOUNTED	RESTRAIN ALL	1	RESTRAIN ALL
FLOOR MOUNTED	RESTRAIN ALL	1, 2	RESTRAIN ALL
WALL MOUNTED	RESTRAIN ALL	1, 2	RESTRAIN ALL
COMPONENT SUPPORTS	RESTRAIN ALL	1	RESTRAIN ALL
SUSPENDED EQUIPMENT	IN LINE W/ DUCT RESTRAIN IF >75 LBS ON TRAPEZE > 3" NOT IN LINE W/ DUCT/PIPE RESTRAIN ALL	3 4	RESTRAIN IF >75 LBS ON TRAPEZE > 1" RESTRAIN ALL
SUSPENDED DUCTILE PIPING (STEEL, ALUMINUM, COPPER, ETC.)	>3"	4	>1"
SUSPENDED NON DUCTILE PIPING (CAST IRON, PLASTIC, CERAMIC)	RESTRAIN ALL	4	RESTRAIN ALL
SUSPENDED PIPE ON TRAPEZE	RESTRAIN IF ANY PIPE ON TRAPEZE > 3" RESTRAIN IF TOTAL WEIGHT OF PIPES ON TRAPEZE > 10 LBS/FT	4	RESTRAIN IF ANY PIPE ON TRAPEZE > 1" RESTRAIN IF TOTAL WEIGHT OF PIPES ON TRAPEZE > 10 LBS/FT
COMPONENT CERTIFICATION	NOT REQUIRED	5	REQUIRED

- NOTES:**
1. EQUIPMENT 20 LBS. OR LESS IS EXEMPT IF THE COMPONENT IS POSITIVELY ATTACHED TO THE STRUCTURE AND FLEXIBLE CONNECTIONS ARE PROVIDED BETWEEN THE COMPONENT AND ASSOCIATED PIPING AND CONDUIT.
 2. RESTRAINTS ARE NOT REQUIRED IF THE COMPONENT WEIGHS 400 LBS. OR LESS, IS MOUNTED WITH THE CENTER OF MASS LOCATED AT 4 FT. OR LESS ABOVE A FLOOR, IS POSITIVELY ATTACHED TO THE STRUCTURE AND HAS FLEXIBLE CONNECTIONS BETWEEN THE COMPONENT AND ASSOCIATED PIPING AND CONDUIT.
 3. FLEXIBLE CONNECTIONS REQUIRED FOR PIPE CONNECTIONS ONLY.
 4. RESTRAINT IS NOT REQUIRED IF THE PIPING IS SUPPORTED BY HANGERS AND EACH HANGER IN THE PIPING RUN IS 12 IN. OR LESS IN LENGTH FROM THE TOP OF THE PIPE TO THE SUPPORTING STRUCTURE. WHERE PIPES ARE SUPPORTED ON A TRAPEZE, THE TRAPEZE SHALL BE SUPPORTED BY HANGERS HAVING A LENGTH OF 12 IN. OR LESS, WHERE ROD HANGERS ARE USED, THEY SHALL BE EQUIPPED WITH SWIVELS, EYE NUTS OR OTHER DEVICES TO PREVENT BENDING IN THE ROD.
 5. COMPONENT CERTIFICATION MUST BE SUPPLIED BY THE EQUIPMENT MANUFACTURER AT TIME OF SUBMITTAL FOR REVIEW BY ENGINEER OF RECORD.

PLUMBING FIXTURE SCHEDULE

MARK	FIXTURE DESCRIPTION	FIXTURE DESCRIPTION	HOT WATER	COLD WATER	WASTE	VENT	MANUFACTURER	MODEL
LAV-1	WALL MOUNTED LAVATORY - ADA COMPLIANT	STUD MOUNTED CARRIER, 22"x18" VITREOUS CHINA, PUNCHED FOR CENTER HOLE, CENTER SET SINGLE-CONTROL MANUAL FAUCET, TRIM TO INCLUDE PERFORATED GRID STRAINER AND ADA OFFSET DRAIN FOR HANDICAPPED HC MODEL, 1-1/4" CAST BRASS (17 GAUGE) P-TRAP AND LOOSE KEY ANGLE SUPPLIES, SUPPLIES SHALL BE INSULATED BY MEANS OF A LAY-SHIELD.	1/2"	1/2"	1-1/2"	1-1/4"	KOHLER	K-2035 K-10216-CP
WC	FLOOR MOUNTED FLUSH VALVE WATER CLOSET - ADA COMPLIANT	FLOOR MOUNTED, FLOOR OUTLET, VITREOUS CHINA, SIPHON JET WATER CLOSET WITH ELONGATED BOWL (DESIGNED FOR A 1.6 GALLON FLUSH CYCLE) AND MANUAL PISTON TYPE FLUSH VALVE. WATER CLOSET SHALL BE FITTED WITH OPEN FRONT SEAT WITHOUT COVER.		1"	3"	2"	ZURN	Z5655-BWL Z5955SS-EL Z6200

- NOTES:**
1. PROVIDE ANGLE STOPS, SUPPLY TUBING, P-TRAPS, ESCUTCHEON PLATES, CARRIERS, AND ALL APPURTENANCES FOR A COMPLETE INSTALLATION OF THE PLUMBING FIXTURES SCHEDULED.
 2. ALL SUPPLY AND WASTE LINES SHALL BE CONCEALED IN ADJACENT WALL, FLOOR AND CEILING, UNLESS NOTED OTHERWISE.
 3. SEE ARCHITECTURAL DRAWINGS FOR EXACT MOUNTING HEIGHTS AND LOCATIONS OF ADA FIXTURES. PROVIDE FLUSH HANDLE OF WATER CLOSETS ON APPROACH SIDE OF FIXTURE. COORDINATE INSTALLATION OF COMPONENTS WITH GRAB BAR LOCATIONS PRIOR TO ORDERING.
 4. FOLLOW MANUFACTURER'S INSTALLATION REQUIREMENTS.
 5. PROVIDE ASSE 1070 APPROVED TEMPERATURE LIMITING DEVICES ON ALL BATHROOM LAVATORIES. PROVIDE WATTS LFMMV FOR GROUPS OF FIXTURES OR WATTS LFUSG-B FOR SINGLE FIXTURES, OR APPROVED EQUAL.



3
P101 **TRAP INSULATION DETAIL WITH ADA CLEARANCES**
NOT TO SCALE

PLUMBING ABBREVIATIONS

ABBR	DESCRIPTION
A/C	ABOVE CEILING
AFF	ABOVE FINISHED FLOOR
AFG	ABOVE FINISHED GRADE
BV	ISOLATION VALVE
C	DOMESTIC COLD WATER SUPPLY
F/A	FROM ABOVE
FCO	FLOOR CLEANOUT
FPM	FEET PER MINUTE
FT	FEET
GPH	GALLONS PER HOUR
GPM	GALLONS PER MINUTE
H	DOMESTIC HOT WATER SUPPLY
HA	HAMMER ARRESTOR
HB	HOSE BIBB
IN	INCHES
IN WG	INCHES WATER GAUGE
PC	PLUMBING CONTRACTOR
S	SANITARY/WASTE PIPING
ST	STORM
T	TEMPERED WATER SUPPLY
TP	TRAP PRIMER
TR	TEMPERED WATER RETURN
U/G	UNDERGROUND
V	VENT PIPING
VAC	VACUUM
VTR	VENT THRU ROOF
WCO	WALL CLEANOUT
WH	WATER HEATER

COLLETON COUNTY MAGISTRATE BUILDING
COLLETON COUNTY
40 KLEIN STREET
WALTERBORO, SC 29488

COPYRIGHT © 2020
GLICK/BOEHM & ASSOCIATES, INC.
JOB NUMBER: 20088
PROJECT MGR.:
DRAWN BY: WDB
CHECKED BY: WDB
APPROVED BY: WDB
DATE ISSUED FOR CONSTRUCTION DOCUMENTS: 07/29/2020
PUMBING RENOVATION PLAN

MECHANICAL SYSTEMS SEISMIC AND WIND REQUIREMENTS PER IBC-2018/ASCE 7-16					
A.	PER THE 2018 INTERNATIONAL BUILDING CODE, MECHANICAL, PLUMBING AND ELECTRICAL EQUIPMENT AND COMPONENTS, INCLUDING THEIR SUPPORTS AND ATTACHMENTS, SHALL BE DESIGNED FOR SEISMIC FORCES IN ACCORDANCE WITH CHAPTER 13 OF ASCE 7-16.				
B.	EXTERIOR EQUIPMENT (INCLUDING ROOF CURBS, RAILS, SUPPORTS) EXPOSED TO WIND SHALL BE DESIGNED AND INSTALLED TO RESIST THE WIND PRESSURES DETERMINED IN ACCORDANCE WITH CHAPTER 26 TO 29 OF ASCE 7-16.				
C.	WHERE DESIGN FOR SEISMIC AND WIND LOADS IS REQUIRED, THE MORE DEMANDING FORCE MUST BE USED.				
D.	REFERENCE THE STRUCTURAL DRAWINGS FOR SITE SPECIFIC INFORMATION ON SEISMIC DESIGN CATEGORY, WIND SPEEDS, ETC.				
E.	USE THE TABLE BELOW TO DETERMINE SEISMIC RESTRAINT REQUIREMENTS FOR EACH COMPONENT.				
F.	FOR ALL COMPONENTS REQUIRING SEISMIC RESTRAINT, THE COMPONENT SUPPORTS AND ATTACHMENTS SHALL BE DESIGNED BY A REGISTERED DESIGN PROFESSIONAL REGISTERED IN THE STATE THE JOB IS LOCATED. SUBMITTALS MUST INCLUDE STAMPED AND SIGNED DRAWINGS AND CALCULATIONS.				
G.	WHERE SEISMIC RESTRAINT IS REQUIRED, HOUSEKEEPING PADS NEEDED FOR THE INSTALLATION OF EQUIPMENT UNDER THIS CONTRACT MUST BE DESIGNED BY THE SEISMIC ENGINEER. DO NOT POUR ANY HOUSEKEEPING PADS PRIOR TO THE RECEIPT OF THE APPROVED SEISMIC SUBMITTAL.				
H.	SEISMIC RESTRAINTS FOR DUCTWORK, PIPING, CONDUIT, CABLE TRAYS AND BUS DUCT MUST BE SHOWN ON LAYOUT DRAWINGS SHOWING SPECIFIC RESTRAINT LOCATIONS ALONG WITH ACCOMPANYING DETAILS AND CALCULATIONS.				
MECHANICAL COMPONENT IMPORTANCE FACTOR (Ip) DESIGNATION					
Ip = 1.0		Ip = 1.5			
<ul style="list-style-type: none"> ALL HVAC COMPONENTS EXCEPT AS NOTED IN Ip=1.5 					
SEISMIC DESIGN CATEGORIES D,E,F					
COMPONENT IMPORTANCE FACTOR (Ip)					
		1.0		1.5	
COMPONENT IDENTIFICATION	SEISMIC RESTRAINT REQUIREMENT	NOTES	SEISMIC RESTRAINT REQUIREMENT	NOTES	
ROOF MOUNTED	RESTRAIN ALL	1	RESTRAIN ALL	-	
FLOOR MOUNTED	RESTRAIN ALL	1, 2	RESTRAIN ALL	-	
WALL MOUNTED	RESTRAIN ALL	1, 2	RESTRAIN ALL	-	
COMPONENT SUPPORTS	RESTRAIN ALL	1	RESTRAIN ALL	-	
SUSPENDED EQUIPMENT	INLINE W/ DUCT	RESTRAIN IF >75 LBS PROVIDE FLEX. CONN.	3	RESTRAIN IF >75 LBS PROVIDE FLEX. CONN.	3
	NOT INLINE W/ DUCT/PIPE	RESTRAIN ALL	1	RESTRAIN ALL	-
SUSPENDED DUCTILE PIPING (STEEL, ALUMINUM, COPPER, ETC.)	>3"	4	>1"	4	
SUSPENDED NON DUCTILE PIPING (CAST IRON, PLASTIC, CERAMIC)	RESTRAIN ALL	4	RESTRAIN ALL	4	
SUSPENDED PIPE ON TRAPEZE	RESTRAIN IF ANY PIPE ON TRAPEZE > 3" RESTRAIN IF TOTAL WEIGHT OF PIPES ON TRAPEZE >	4	RESTRAIN IF ANY PIPE ON TRAPEZE > 1" RESTRAIN IF TOTAL WEIGHT OF PIPES ON TRAPEZE > 10	4	
DUCTWORK	6 SQ.FT. AND LARGER AND >17 LBS/FT	4,5	6 SQ.FT. AND LARGER AND > 17 LBS/FT	4,5	
MULTIPLE DUCTS ON TRAPEZE	RESTRAIN IF TOTAL WEIGHT OF DUCTS ON TRAPEZE > 10 LBS/FT	4,5	RESTRAIN IF TOTAL WEIGHT OF DUCTS ON TRAPEZE > 10 LBS/FT	4,3	
COMPONENT CERTIFICATION	NOT REQUIRED	-	REQUIRED	6	
NOTES:					
1. EQUIPMENT 20 LBS. OR LESS IS EXEMPT IF THE COMPONENT IS POSITIVELY ATTACHED TO THE STRUCTURE AND FLEXIBLE CONNECTIONS ARE PROVIDED BETWEEN THE COMPONENT AND ASSOCIATED DUCTWORK, PIPING, AND CONDUIT.					
2. RESTRAINTS ARE NOT REQUIRED IF THE COMPONENT WEIGHS 400 LBS. OR LESS, IS MOUNTED WITH THE CENTER OF MASS LOCATED AT 4 FT. OR LESS ABOVE A FLOOR, IS POSITIVELY ATTACHED TO THE STRUCTURE AND HAS FLEXIBLE CONNECTIONS BETWEEN THE COMPONENT AND ASSOCIATED DUCTWORK, PIPING, AND CONDUIT.					
3. FLEXIBLE CONNECTIONS REQUIRED FOR PIPE CONNECTIONS ONLY.					
4. RESTRAINT IS NOT REQUIRED IF THE PIPING / DUCTWORK IS SUPPORTED BY HANGERS AND EACH HANGER IN THE PIPING RUN IS 12 IN. OR LESS IN LENGTH FROM THE TOP OF THE PIPE TO THE SUPPORTING STRUCTURE. WHERE PIPES ARE SUPPORTED ON A TRAPEZE, THE TRAPEZE SHALL BE SUPPORTED BY HANGERS HAVING A LENGTH OF 12 IN. OR LESS. WHERE ROD HANGERS ARE USED, THEY SHALL BE EQUIPPED WITH SWIVELS, EYE NUTS OR OTHER DEVICES TO PREVENT BENDING IN THE ROD.					
5. ALL DUCTWORK, REGARDLESS OF SIZE, DESIGNED TO CARRY TOXIC, HIGHLY TOXIC, OR EXPLOSIVE GASES OR USED FOR SMOKE CONTROL MUST BE RESTRAINED.					
6. COMPONENT CERTIFICATION MUST BE SUPPLIED BY THE EQUIPMENT MANUFACTURER AT TIME OF SUBMITTAL FOR REVIEW BY ENGINEER OF RECORD.					

MECHANICAL ABBREVIATIONS	
ABBR	DESCRIPTION
(E)	EXISTING
ADJ	ADJUSTABLE
AFF	ABOVE FINISHED FLOOR
AFG	ABOVE FINISHED GRADE
APD	AIR PRESSURE DROP
BHP	BRAKE HORSE POWER
BOD	BASIS OF DESIGN
CFM	CUBIC FEET PER MINUTE
DB	DECIBELS
DIA	DIAMETER
DRN	DRAIN
EA	EXHAUST AIR
EC	ELECTRICAL CONTRACTOR
EF	EXHAUST FAN
ESP	EXTERNAL STATIC PRESSURE
FPM	FEET PER MINUTE
FRPM	FAN ROTATIONS PER MINUTE
FT	FEET
GPM	GALLONS PER MINUTE
HP	HORSEPOWER
IN	INCHES
LAT	LEAVING AIR TEMPERATURE
MBH	THOUSANDS OF BTU'S PER HOUR
MC	MECHANICAL CONTRACTOR
MD	MANUAL DAMPER
NC	NOISE CRITERIA
NO	NORMALLY OPEN
OA	OUTSIDE AIR
OF	OVER FLOW
PC	PLUMBING CONTRACTOR
PD	PRESSURE DROP
PS	PIPE SUPPORT
RA	RETURN AIR
REFR	REFRIGERANT
RPM	ROTATIONS PER MINUTE
RTU	ROOF TOP UNIT
TYP	TYPICAL
UG	UNDERGROUND
UNO	UNLESS NOTED OTHERWISE
VNT	VENT
W/	WITH
°F	DEGREES FAHRENHEIT

HVAC SYMBOL LEGEND			
SYMBOL	DESCRIPTION	SYMBOL	DESCRIPTION
	AIR TERMINAL TAG, X=TYPE MARK, Y=CFM		COMPONENT TO BE DEMOLISHED
	AIR TERMINAL DIFFUSER (CEILING MOUNTED)		DUCTWORK (X" = WIDTH, Y" = HEIGHT)
	AIR TERMINAL RETURN GRILLE (CEILING MOUNTED)		TURNING VANES
	AIR TERMINAL EXHAUST GRILLE (CEILING MOUNTED)		CONDENSING UNIT
	AIR TERMINAL ROUND CONE DIFFUSER		ROOFTOP UNIT
	SIDEWALL REGISTER / GRILLE		SINGLE DUCT AIR TERMINAL UNIT
	THERMOSTAT		ROOF CAP
	HUMIDISTAT		CEILING MOUNTED EXHAUST FAN
	CO2 SENSOR		PREINSULATED FLEXIBLE DUCT
	FAN POWERED BOX		CABLE OPERATED DAMPER
	DUCT MOUNTED SMOKE DETECTOR (BY E.C.)		PITCH POCKET
	EQUIPMENT CLEARANCE		
	FIRE DAMPER		FLEXIBLE DUCT CONNECTION
	MANUAL DAMPER		CONNECTION TO EXISTING SYSTEM
	THERMOSTAT (DUCT MOUNTED)		MOTORIZED DAMPER
	HUMIDISTAT (DUCT MOUNTED)		

MECHANICAL CODES AND STANDARDS (WITH ALL SOUTH CAROLINA MODIFICATIONS)	
CODE	DESCRIPTION
IBC (2018)	INTERNATIONAL BUILDING CODE
IECC (2009)	INTERNATIONAL ENERGY CONSERVATION CODE
IMC (2018)	INTERNATIONAL MECHANICAL CODE
NFPA 90A (2018)	STANDARD FOR THE INSTALLATION AIR-CONDITIONING & VENTILATING SYSTEMS
SMACNA (2005)	HVAC DUCT CONSTRUCTION STANDARDS MANUAL, THIRD EDITION

AIR DISTRIBUTION SCHEDULE							
MARK	DESCRIPTION	FACE SIZE		NECK SIZE		BASIS OF DESIGN	MODEL
		W	H OR Ø	W	H OR Ø		
Supply Air							
A	PLAQUE FACE SUPPLY DIFFUSER	12"	12"	6"	6"	PRICE	ASPD
B	PLAQUE FACE SUPPLY DIFFUSER	24"	24"	10"	10"	PRICE	ASPD
Return Air							
1	PERFORATED FACE RETURN GRILLE	24"	24"	22"	22"	PRICE	PDDR
2	LOUVERED FACE RETURN GRILLE	12"	24"	12"	24"	PRICE	630
NOTES:							
1. SEE ARCHITECTURAL REFLECTED CEILING PLAN FOR EXACT LOCATION OF ALL CEILING MOUNTED AIR DISTRIBUTION DEVICES.							
2. COORDINATE MOUNTING TYPE AND ACCESSORIES WITH ARCHITECTURAL CEILING.							
3. COORDINATE AIR DISTRIBUTION LOCATION WITH ALL OTHER TRADES.							
4. AIR DISTRIBUTION SHALL BE ALUMINUM CONSTRUCTION WITH BAKED ENAMEL "WHITE" FINISH.							
5. SURFACE MOUNTED AIR DISTRIBUTION DEVICES SHALL BE MOUNTED WITHOUT VISIBLE FASTNERS.							

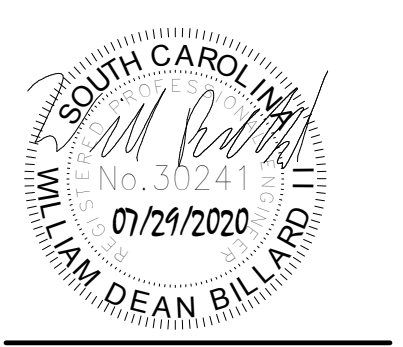
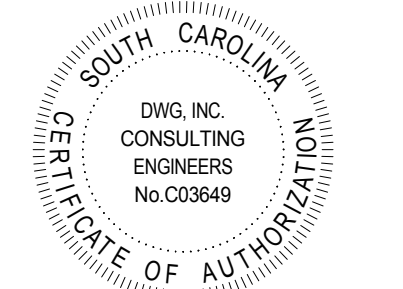
EXHAUST FAN SCHEDULE								
TAG	CAPACITY CFM	ESP INCHES WG	MAX FRPM	INPUT WATTS	MAXIMUM SOUND RATING DB	TYPE	BASIS OF DESIGN	MODEL
EF-1	70	0.25	870	13	1	CEILING	GREENHCK	SP-A110
NOTES:								
1. SEE ELECTRICAL DRAWINGS FOR VOLTAGE INFORMATION.								
2. FAN SHALL BE CONTROLLED VIA OCCUPANCY SENSOR PROVIDED WITH LIGHTING CONTROLS.								
3. FAN SHALL BE PROVIDED WITH ALUMINUM FAN WHEEL.								
4. FAN SHALL BE PROVIDED WITH ALUMINUM FAN WHEEL.								
5. FAN SHALL INCLUDE INTEGRAL DISCONNECT AND BACKDRAFT DAMPER.								

GENERAL HVAC NOTES

- THE DRAWINGS SHOW THE GENERAL ARRANGEMENT AND LOCATION OF EQUIPMENT, DUCTWORK, PIPING, ETC. THE CONTRACTOR SHALL BE RESPONSIBLE FOR COORDINATING THE MECHANICAL INSTALLATION W/ THE STRUCTURE AND OTHER TRADES AND SHALL PROVIDE ADDITIONAL OFFSETS AND FITTINGS AS NECESSARY.
- COORDINATE WORK WITH AUTHORITY HAVING JURISDICTION AND OBTAIN ALL PERMITS AND INSPECTIONS.
- PROVIDE OWNER WITH CERTIFICATES OF FINAL INSPECTION AND ACCEPTANCE FROM AUTHORITY HAVING JURISDICTION.
- THE HEATING, VENTILATING AND AIR CONDITIONING SYSTEMS SHALL COMPLY WITH THE THE CODES LISTED ON THIS SHEET AS WELL AS ALL LOCAL CODE OFFICIAL REQUIREMENTS. IN THE EVENT OF A CONFLICT BETWEEN CODES, THE MOST STRINGENT SHALL ALWAYS GOVERN.
- DUCT DIMENSIONS ON DRAWINGS ARE CLEAR INSIDE DIMENSIONS.
- THE CONTRACTOR SHALL CHECK AND VERIFY ALL CLEARANCES PRIOR TO FABRICATION OR INSTALLATION OF EQUIPMENT, DUCTWORK, AND PIPING SYSTEMS. WHERE CONDITIONS REQUIRE A CHANGE IN DUCT OR PIPE ROUTING, NOTIFY THE ARCHITECT FOR AN ACCEPTABLE ALTERNATIVE METHOD. AVOID ROUTING DUCTWORK DIRECTLY OVER LIGHT FIXTURES, DIFFUSERS, AND OTHER CEILING MTD. DEVICES. LOCATE ALL MECHANICAL EQUIPMENT SO THAT FILTERS AND COMPONENTS REQUIRING ACCESS (SERVICE AND MAINTENANCE) ARE FULLY ACCESSIBLE.
- PROVIDE CURVED RADIUS ELBOW AT FIRST SUPPLY & RETURN FITTING FOR ALL HVAC UNITS. PROVIDE TURNING VANES IN ALL 90 DEGREE ELBOWS IN ALL RECTANGULAR SUPPLY/RETURN/EXHAUST DUCT SYSTEMS. ANY OFFSETS REQUIRED IN DUCT SYSTEMS SHALL BE INSTALLED PER SMACNA 2005 2ND EDITION MANUAL. SHARP ANGLED TRANSITIONS OR OFFSETS WILL NOT BE ALLOWED. PROVIDE DUCT ACCESS DOORS AS REQUIRED.
- INSTALL ALL DUCT MOUNTED DEVICES (DAMPERS, ACCESS DOORS, ETC.) AND PIPING SPECIALTIES IN EASILY ACCESSIBLE LOCATIONS. ADVISE THE ARCHITECT IN ADVANCE OF INSTALLATION IF ACCESS WILL BE HINDERED SO AN ALTERNATE LOCATION CAN BE SELECTED.
- ALL DUCT TAKE-OFFS SHALL BE INSTALLED AS SHOWN BY DETAILS ON THE PLANS WITH A MANUAL BALANCING DAMPER AT EVERY TAKE-OFF. WHERE DUCT RUN-OUT SIZE IS NOT SHOWN PROVIDE DUCT SAME SIZE AS GRILLE NECK SIZE. PRE-INSULATED FLEXIBLE DUCT MAY BE USED FOR FINAL CONNECTION TO SUPPLY GRILLES (MAX. LENGTH 5').
- ALL MECHANICAL EQUIPMENT SHALL BE INSTALLED IN ACCORDANCE WITH THE MANUFACTURER'S INSTALLATION INSTRUCTIONS WITH PRESCRIBED CLEARANCES FOR SERVICE AND MAINTENANCE. THE CONTRACTOR SHALL NOTIFY THE ARCHITECT IF RECOMMENDED CLEARANCES ARE NOT POSSIBLE BEFORE INSTALLING EQUIPMENT.
- ALL ROTATING MECHANICAL EQUIPMENT SHALL BE PROVIDED WITH VIBRATION ISOLATION. PROVIDE FLEXIBLE NEOPRENE DUCT CONNECTORS BETWEEN DUCTWORK AND ISOLATED MECHANICAL EQUIPMENT.
- THE CONTRACTOR SHALL FIRESTOP ALL PENETRATIONS OF FIRE RATED WALLS/FLOORS/CEILINGS BY DUCTWORK PIPING, ETC., WITH U.L. LISTED FIRE STOPPING MATERIAL TO MAINTAIN FIRE RATING OF THE BARRIER.
- SEISMIC PROTECTION OF EQUIPMENT, DUCTWORK, PIPING AND UTILITIES SHALL BE PROVIDED IN ACCORDANCE WITH SECTION 16 OF THE INTERNATIONAL BUILDING CODE, 2018 EDITION. ALL SEISMIC RESTRAINT AND BRACING SHALL BE SUBSTANTIATED BY MANUFACTURER'S SUBMITTALS PER THE SPECIFICATIONS. FOR ADDITIONAL INFORMATION, SEE 'SEISMIC AND WIND REQUIREMENTS FOR MECHANICAL SYSTEMS' ON THIS SHEET. THE CONTRACTOR IS RESPONSIBLE FOR COORDINATING INSTALLATION OF SEISMIC BRACING DEVICES WITH THE OWNER'S SEISMIC SPECIAL INSPECTOR. PROVIDE A MINIMUM OF SEVEN DAYS ADVANCE NOTICE OF INSTALLATION.
- BALANCE ALL AIR DISTRIBUTION DEVICES, EXHAUST FANS, AND OUTSIDE AIR QUANTITIES AS SCHEDULED OR SHOWN ON THE DRAWINGS. PROVIDE MARKERS AT ALL DAMPER LOCATIONS SHOWING FULL OPEN/CLOSED POSITIONS AND DAMPER SETTING FOR REQUIRED AIRFLOW. PROVIDE FINAL TEST AND BALANCE REPORT ALONG W/ SCHEMATIC DRAWINGS SHOWING DIFFUSER LOCATION W/ DESIGN AND ACTUAL CFM. THE DIFFUSER TAGS ON THE DRAWINGS SHALL CORRESPOND TO THE DIFFUSER TAGS ON THE REPORT. THIS REPORT SHALL BE SUBMITTED BEFORE THE FINAL INSPECTION IS PERFORMED. SEE SPECIFICATIONS FOR FURTHER INFORMATION.
- WIND LOAD PROTECTION OF ROOF MOUNTED EQUIPMENT AND DUCTWORK SHALL BE PROVIDED IN ACCORDANCE WITH SECTION 16 OF THE INTERNATIONAL BUILDING CODE, 2018 EDITION. ALL WIND LOAD RESTRAINT AND BRACING SHALL BE SUBSTANTIATED BY MANUFACTURER'S SUBMITTALS PER THE SPECIFICATIONS.
- SEE ARCHITECTURAL DOCUMENTS FOR ROOF PENETRATION AND FLASHING REQUIREMENTS.
- WHERE "APPROXIMATELY" IS USED TO DEFINE INSTALLATION LOCATIONS, CONTRACTOR SHALL COORDINATE WITH ALL OTHER TRADES TO VERIFY THERE ARE NO CONFLICTS PRIOR TO INSTALLATION AT DIMENSION LISTED.



REV. NO.	DATE	DESCRIPTION

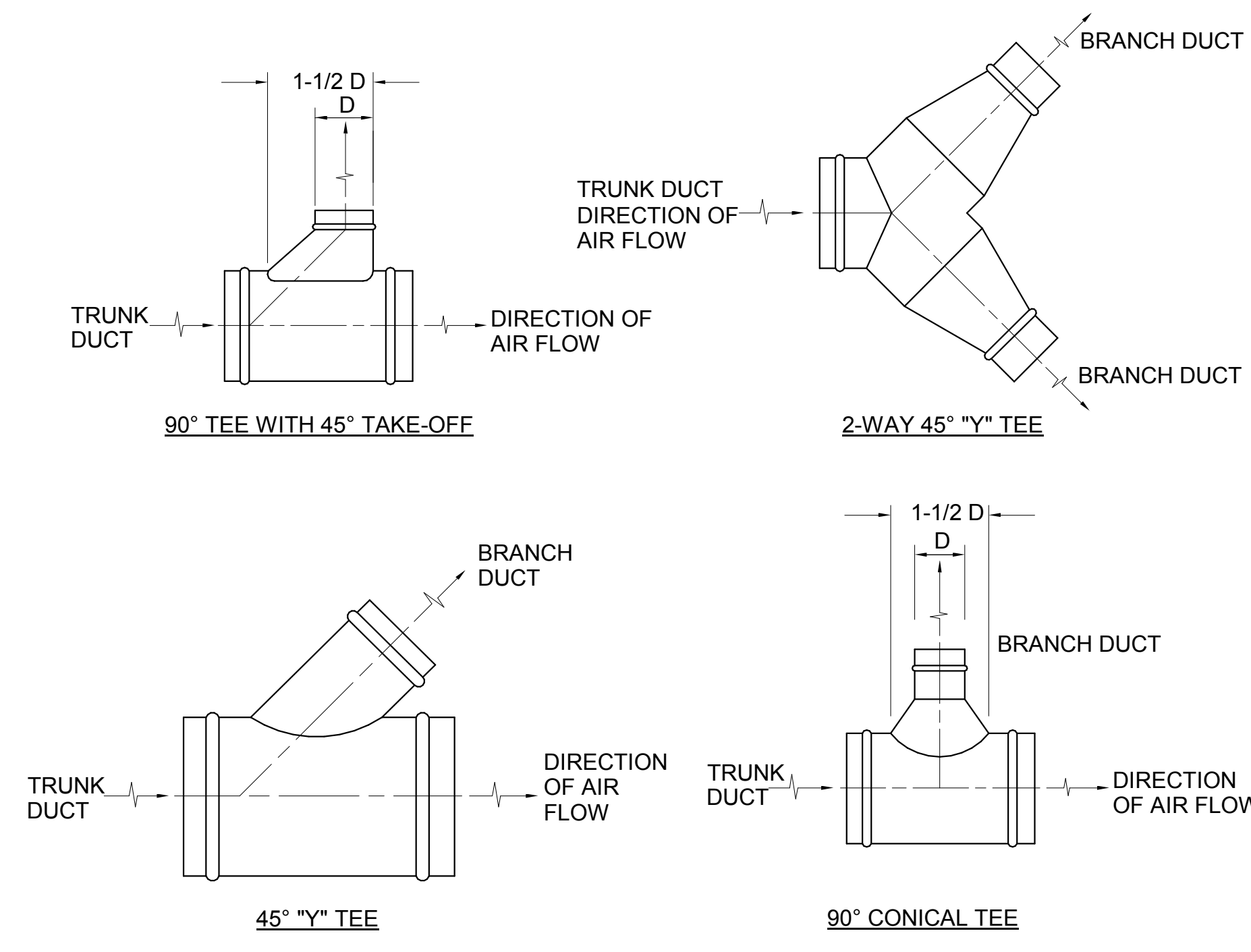


COLLETON COUNTY MAGISTRATE BUILDING
COLLETON COUNTY
40 KLEIN STREET
WALTERBORO, SC 29488

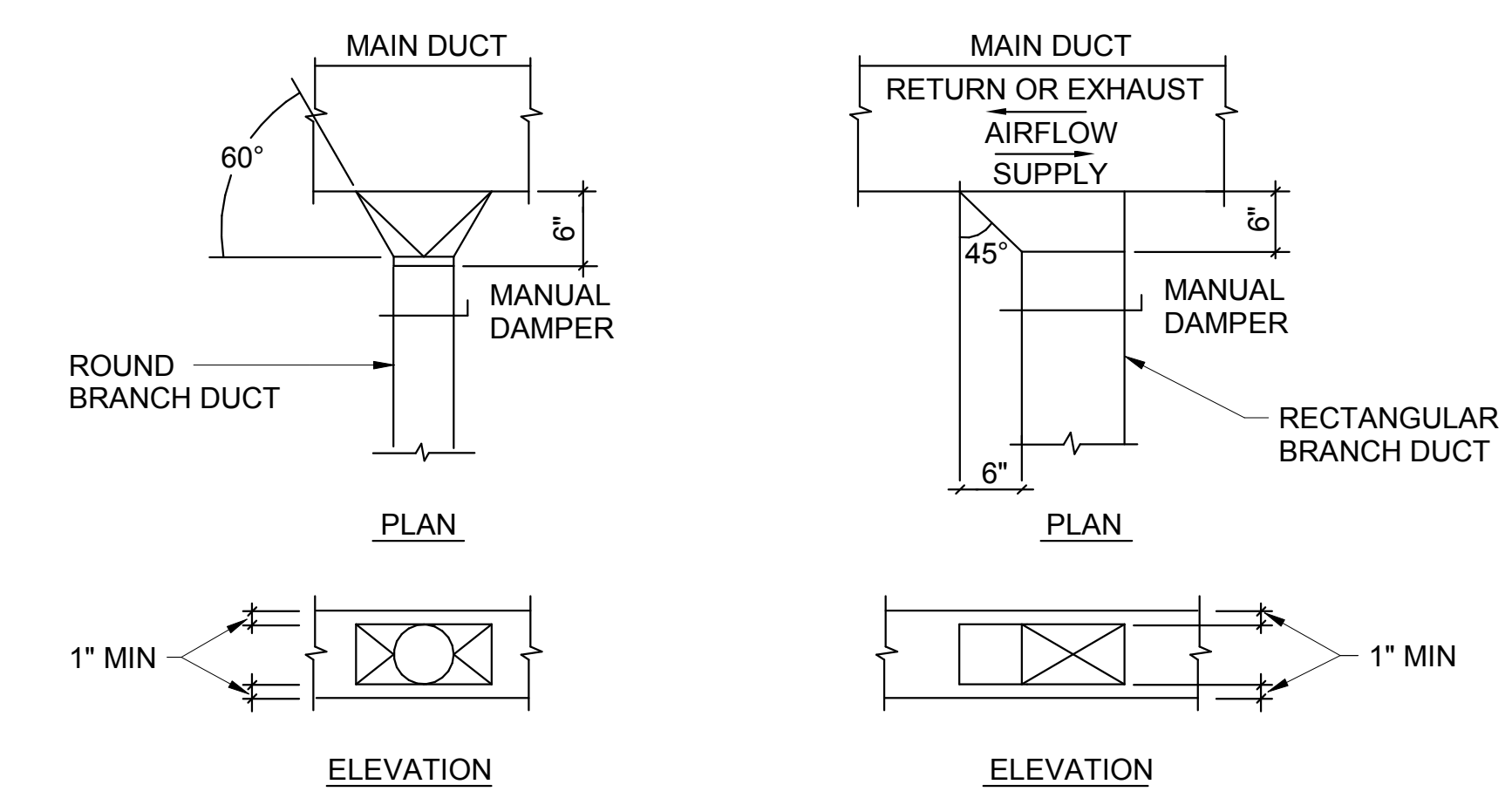
COPYRIGHT © 2020 GLICK/BOEHM & ASSOCIATES, INC.
JOB NUMBER: 20088
PROJECT MGR.:
DRAWN BY: WDB
CHECKED BY: WDB
APPROVED BY: WDB
DATE ISSUED FOR CONSTRUCTION DOCUMENTS: 07/29/2020

HVAC NOTES & LEGENDS

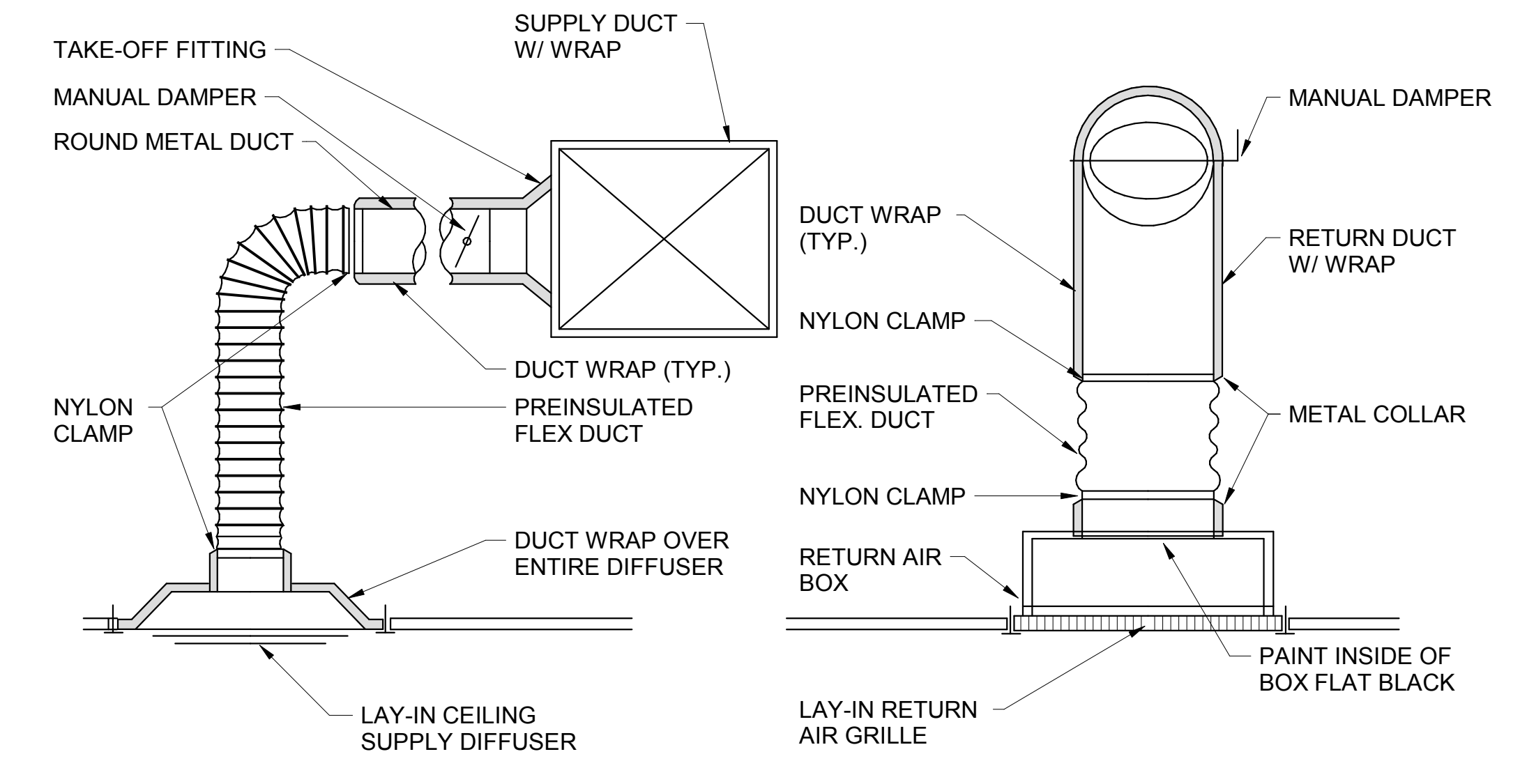
M001



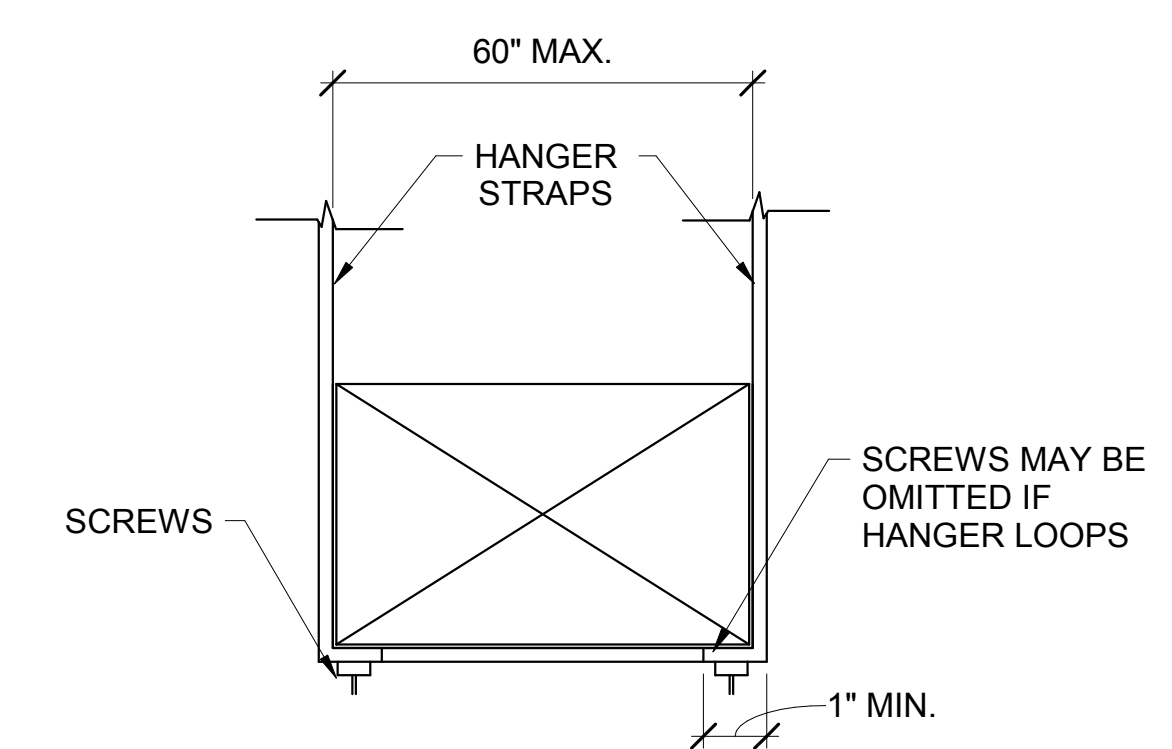
1 ROUND DUCT BRANCH TAKE OFF DETAIL
NOT TO SCALE



2 TYPICAL DUCT TAKE OFF INSTALLATION DETAIL
NOT TO SCALE



3 TYPICAL DIFFUSER/GRILLE INSTALLATION DETAIL
NOT TO SCALE

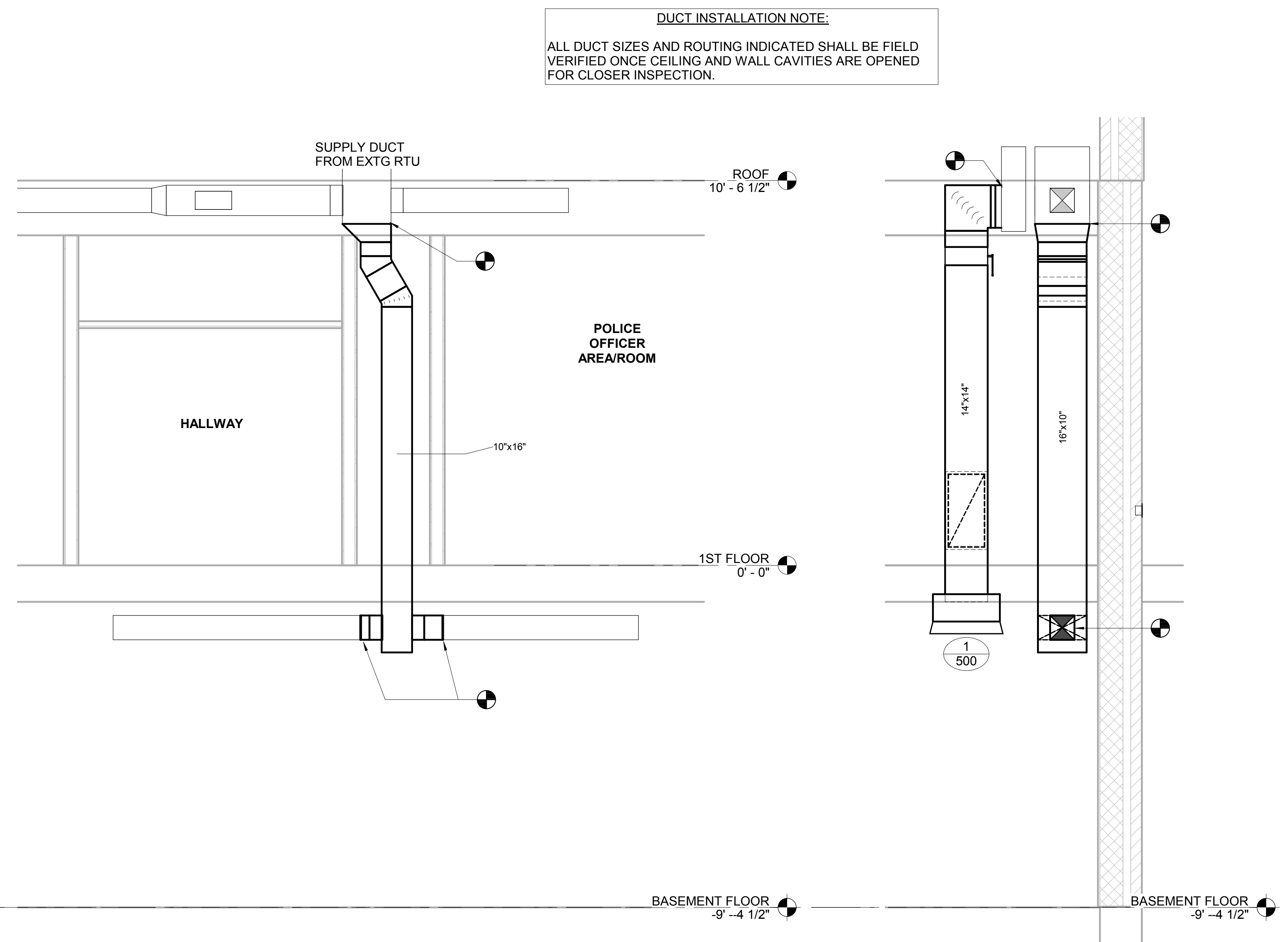
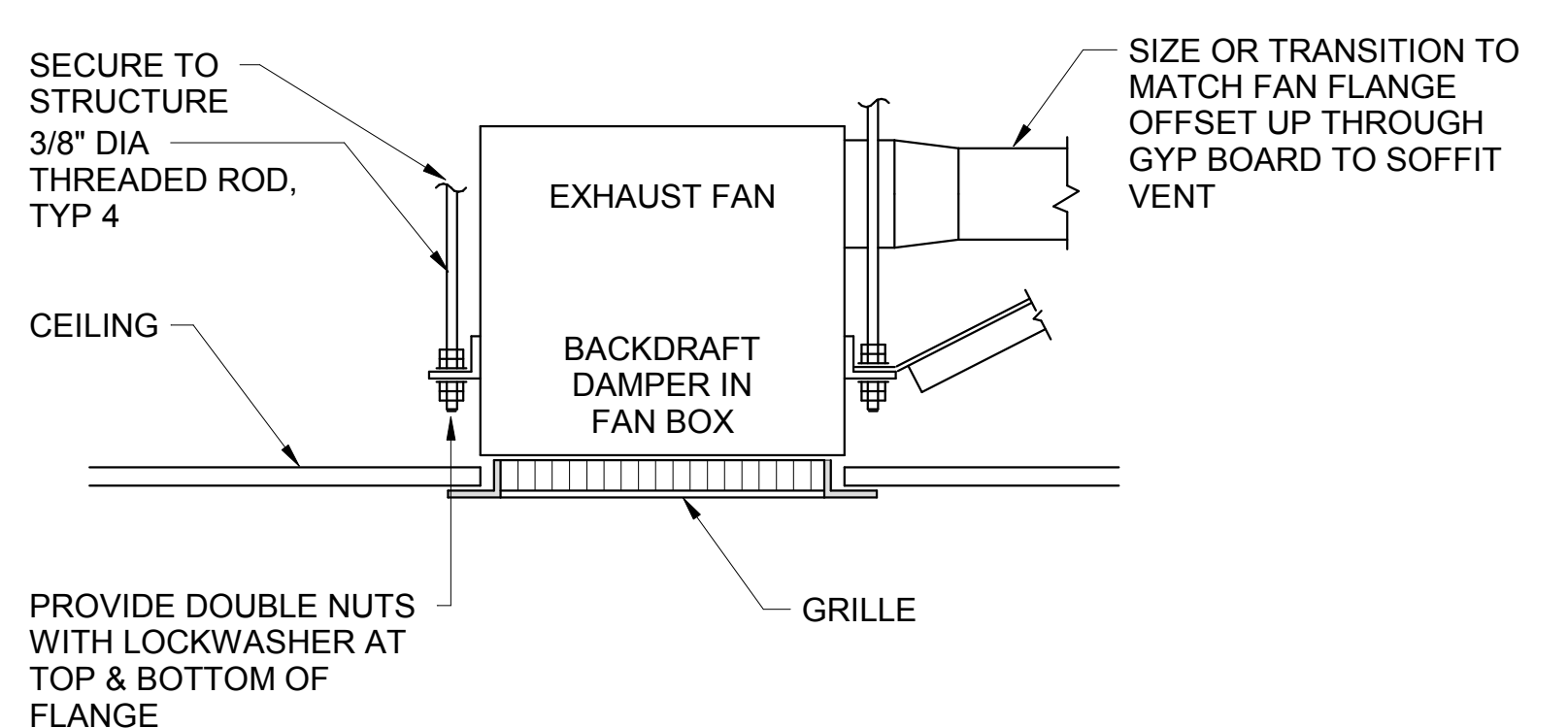


4 DUCT SUPPORT DETAIL
NOT TO SCALE

TABLE 4-1 RECTANGULAR DUCT HANGERS MINIMUM SIZE

MAXIMUM HALF OF DUCT PERIMETER	PAIR AT 10 FT. SPACING		PAIR AT 8 FT. SPACING		PAIR AT 5 FT. SPACING		PAIR AT 4 FT. SPACING		
	STRAP	WIRE/ROD	STRAP	WIRE/ROD	STRAP	WIRE/ROD	STRAP	WIRE/ROD	
P/2= 30"	1" X 22 GA.	10 GA. (.135")	1" X 22 GA.	10 GA. (.135")	1" X 22 GA.	12 GA. (.106")	1" X 22 GA.	12 GA. (.106")	
P/2= 72"	1" X 18 GA.	3/8"	1" X 20 GA.	1/4"	1" X 22 GA.	1/4"	1" X 22 GA.	1/4"	
P/2= 96"	1" X 16 GA.	3/8"	1" X 18 GA.	3/8"	1" X 20 GA.	3/8"	1" X 22 GA.	1/4"	
P/2= 120"	1-1/2"X16GA.	1/2"	1" X 16 GA.	3/8"	1" X 18 GA.	3/8"	1" X 20 GA.	1/4"	
P/2= 168"	1-1/2"X16GA.	1/2"	1-1/2"X16GA.	1/2"	1" X 16 GA.	3/8"	1" X 18 GA.	3/8"	
P/2= 192"	NOT GIVEN	1/2"	1-1/2"X16GA.	1/2"	1" X 16 GA.	3/8"	1" X 16 GA.	3/8"	
P/2=193" UP	SPECIAL ANALYSIS REQUIRED								
WHEN STRAPS ARE LAP JOINED, USE THESE MINIMUM FASTENERS 1" X 18,20,22 GA. - TWO #10 OR ONE 1/4" BOLT 1" X 16 GA. - TWO 1/4" DIA. 1-1/2" X 16 GA. - TWO 3/8" DIA. PLACE FASTENERS IN SERIES, NOT SIDE BY SIDE.		SINGLE HANGER MAXIMUM ALLOWABLE LOAD							
		STRAP			WIRE OR ROD (DIA.)				
		1" X 22 GA. - 260 LBS.			1/4"-270 LBS.				
		1" X 20 GA. - 320 LBS.			3/8"-680 LBS.				
		1" X 18 GA. - 420 LBS.			1/2"-1250 LBS.				
		1" X 16 GA. - 700 LBS.			5/8"-2000 LBS.				
		1-1/2" X 16 GA. - 1100 LBS.			3/4"-3000 LBS.				

5 TYPICAL EXHAUST FAN DETAIL
NOT TO SCALE

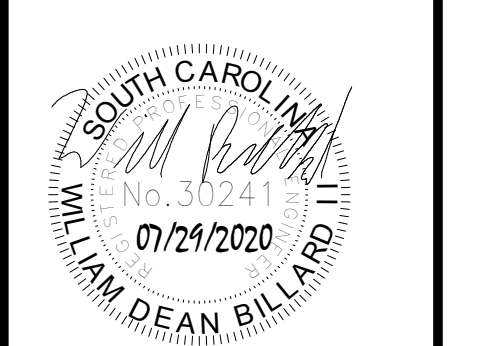
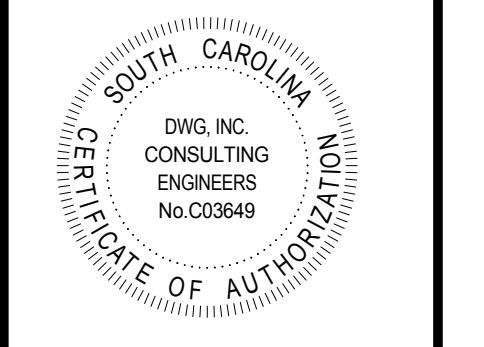


6 SUPPLY DUCT SECTION
SCALE: 1/2" = 1'-0"

7 RETURN DUCT SECTION
SCALE: 1/2" = 1'-0"

DUCT INSTALLATION NOTE:
ALL DUCT SIZES AND ROUTING INDICATED SHALL BE FIELD VERIFIED ONCE CEILING AND WALL CAVITIES ARE OPENED FOR CLOSER INSPECTION.

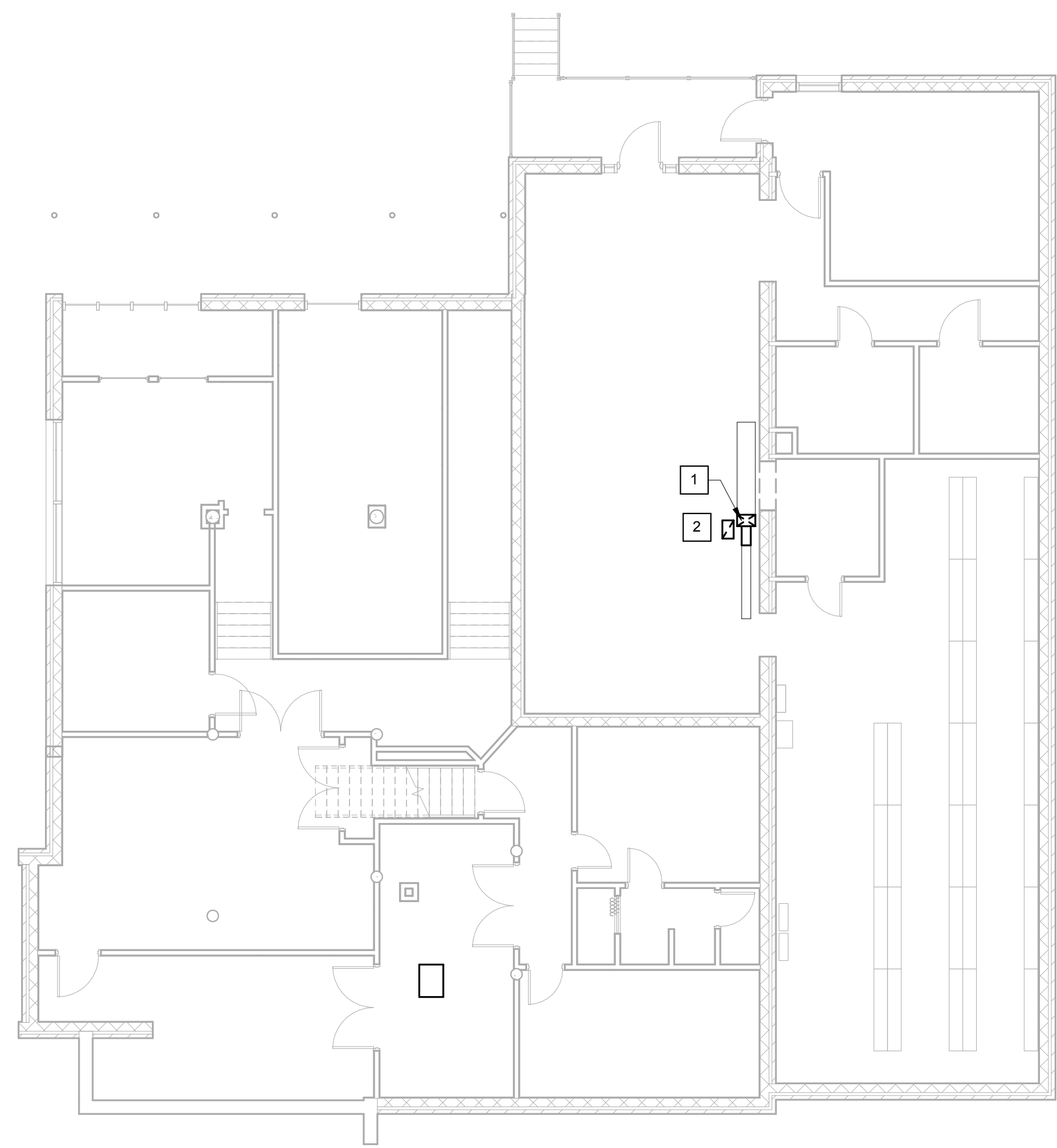
REV. NO.	DATE	DESCRIPTION



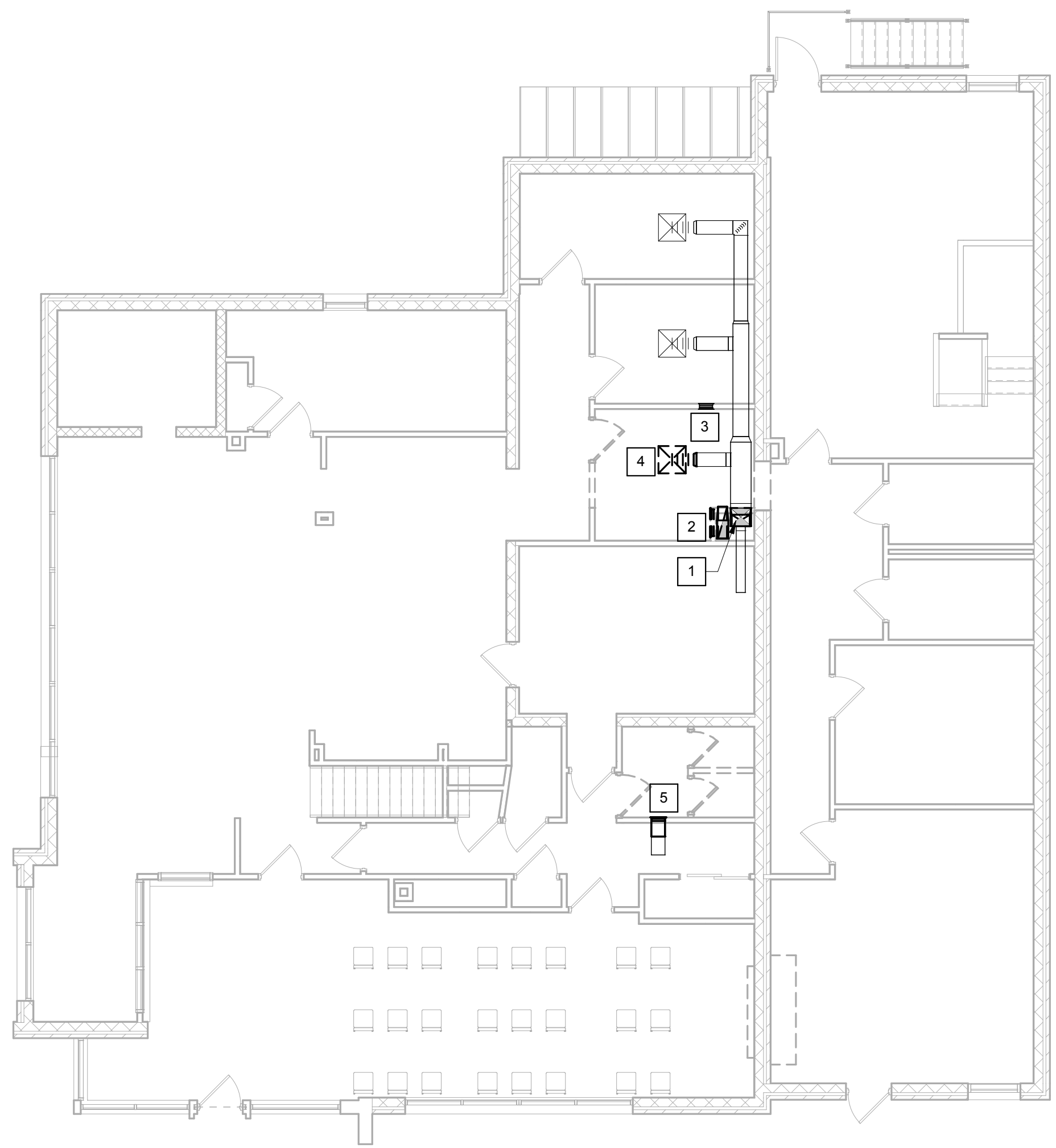
COLLETON COUNTY MAGISTRATE BUILDING
COLLETON COUNTY
40 KLEIN STREET
WALTERBORO, SC 29488

COPYRIGHT © 2020
GLICK/BOEHM & ASSOCIATES, INC.
JOB NUMBER: 20088
PROJECT MGR.:
DRAWN BY: WDB
CHECKED BY: WDB
APPROVED BY: WDB
DATE ISSUED FOR CONSTRUCTION DOCUMENTS: 07/29/2020

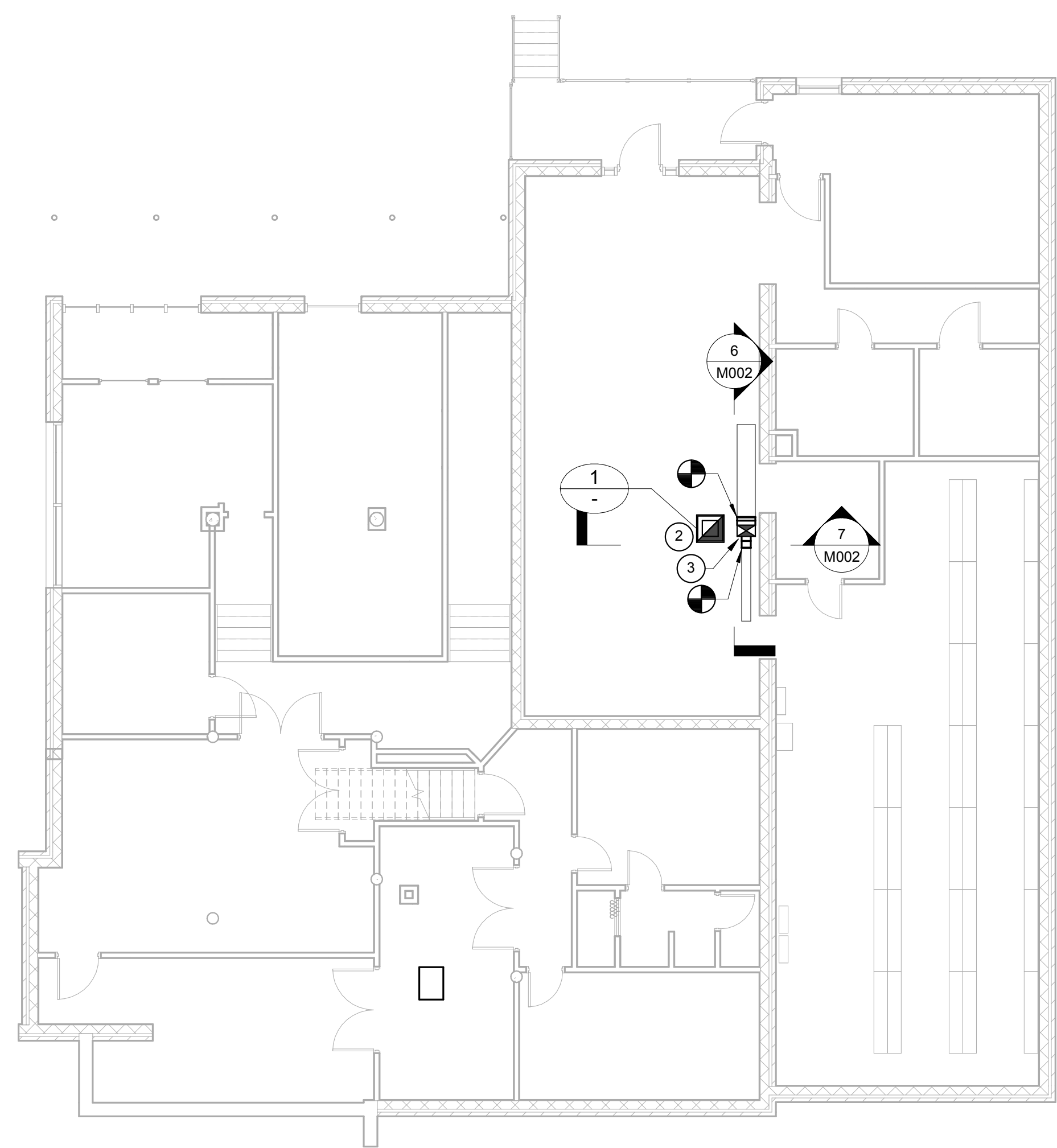
HVAC DETAILS & SECTIONS



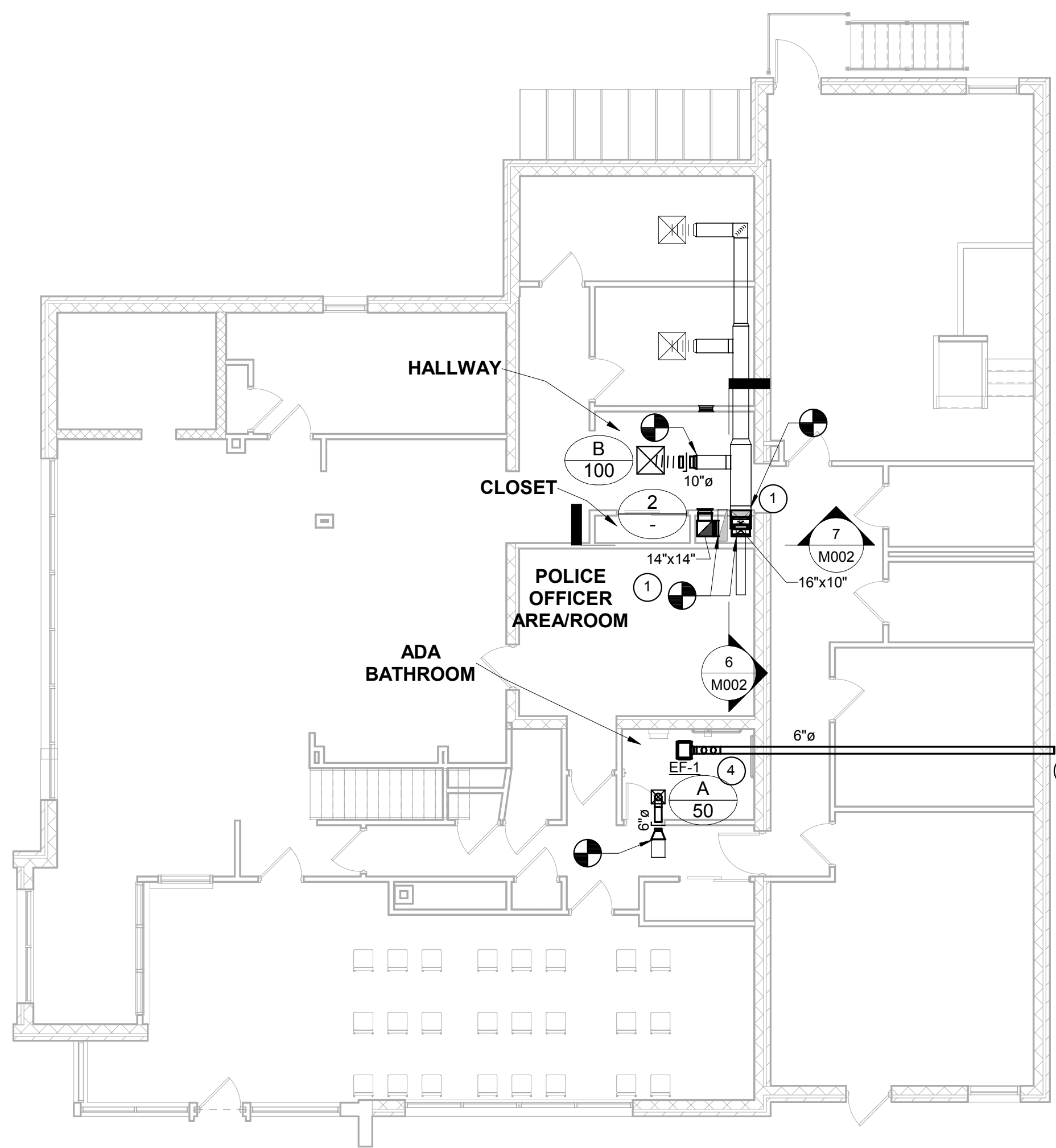
1 BASEMENT HVAC DEMOLITION PLAN
M101 SCALE: 1/8" = 1'-0"



2 FIRST FLOOR HVAC DEMOLITION PLAN
M101 SCALE: 1/8" = 1'-0"



3 BASEMENT HVAC RENOVATION PLAN
M101 SCALE: 1/8" = 1'-0"



4 FIRST FLOOR HVAC RENOVATION PLAN
M101 SCALE: 1/8" = 1'-0"

KEYNOTES

- DEMOLITION:**
- 1 DEMOLISH AND REMOVE VERTICAL SUPPLY DUCT THROUGH CHASE FROM BASEMENT TO ABOVE CEILING OF UPPER FLOOR.
 - 2 DEMOLISH AND REMOVE SIDEWALL RETURN GRILLE AND VERTICAL RETURN DUCT ROUTING FROM BASEMENT TO ABOVE CEILING SPACE.
 - 3 RELOCATE TRANSFER GRILLES TO BE IN WALL BENEATH NEW SOFFIT.
 - 4 DEMOLISH AND REMOVE SUPPLY GRILLE AND ASSOCIATED FLEX DUCT.
 - 5 DEMOLISH AND REMOVE SIDEWALL SUPPLY GRILLE.

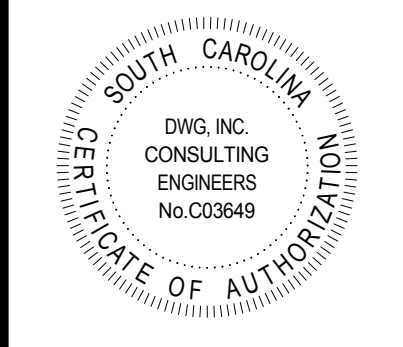
- RENOVATION:**
- 1 CONNECT NEW SUPPLY AND RETURN DUCTS TO EXISTING ABOVE CEILING. RE-ROUTE DUCTWORK TO FIT INTO NEW CHASE THAT IS BEING MODIFIED IN SIZE TO ALLOW THE NEW DOORWAY. CONFIRM DUCT SIZING AND EXACT ROUTING IN FIELD PRIOR TO ORDERING MATERIALS.
 - 2 RETURN DUCT SHALL ROUTE TO A CEILING GRILLE IN BASEMENT.
 - 3 SUPPLY DUCT MAIN SHALL ROUTE INTO SOFFIT, AND RE-CONNECT TO EXISTING BRANCH DUCTS.
 - 4 EXHAUST DUCT SHALL ROUTE THROUGH EXISTING BLOCK WALL. COORDINATE WITH ARCHITECTURAL AND STRUCTURAL FOR PENETRATION INFORMATION.
 - 5 PROVIDE WALL CAP AT EXTERIOR WALL PENETRATION, COORDINATE WITH ARCHITECTURAL AND STRUCTURAL FOR PENETRATION INFORMATION.

GENERAL NOTES

1. ALL DUCT SIZES AND ROUTING INDICATED SHALL BE FIELD VERIFIED ONCE CEILING AND WALL CAVITIES ARE OPENED FOR CLOSER INSPECTION.
2. SUPPLY AND RETURN DUCTS SHALL BE SEALED AND INSULATED WITH 2" DUCT WRAP.
3. DUCTS SHALL BE GALVANIZED STEEL RECTANGULAR OR SNAP-LOCK ROUND, INSTALLED PER SMACNA STANDARDS.
4. GRILLES SHALL BE ALL ALUMINUM CONSTRUCTION.
5. FLEX DUCT SHALL BE NO MORE THAN 5' LONG.
6. PROVIDE MANUAL VOLUME DAMPER TO EACH NEW GRILLE.



REV. NO.	DATE	DESCRIPTION

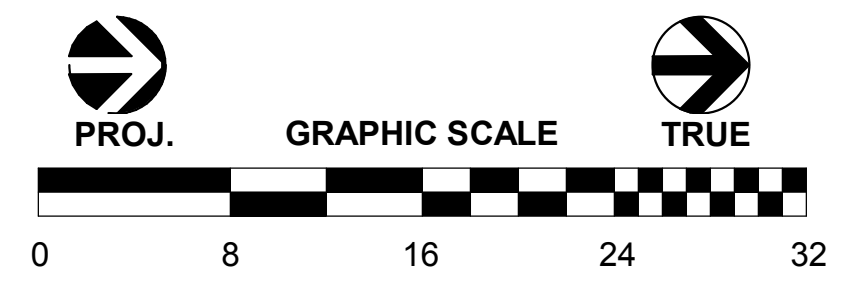


COLLETON COUNTY MAGISTRATE BUILDING
COLLETON COUNTY
 40 KLEIN STREET
 WALTERBORO, SC 29488

COPYRIGHT © 2020
 GLICK/BOEHM & ASSOCIATES, INC.
 JOB NUMBER: 20088
 PROJECT MGR.:
 DRAWN BY: WDB
 CHECKED BY: WDB
 APPROVED BY: WDB
 DATE ISSUED FOR CONSTRUCTION DOCUMENTS: 07/29/2020

HVAC RENOVATION PLAN

M101



ELECTRICAL SYSTEMS SEISMIC REQUIREMENTS PER IBC-2018/ASCE 7-16

- A. PER THE 2018 INTERNATIONAL BUILDING CODE, MECHANICAL, PLUMBING AND ELECTRICAL EQUIPMENT AND COMPONENTS, INCLUDING THEIR SUPPORTS AND ATTACHMENTS, SHALL BE DESIGNED FOR SEISMIC FORCES IN ACCORDANCE WITH CHAPTER 13 OF ASCE 7-16.
- B. EXTERIOR EQUIPMENT (INCLUDING ROOF CURBS, RAILS, SUPPORTS) EXPOSED TO WIND SHALL BE DESIGNED AND INSTALLED TO RESIST THE WIND PRESSURES DETERMINED IN ACCORDANCE WITH CHAPTER 26 TO 29 OF ASCE 7-16.
- C. WHERE DESIGN FOR SEISMIC AND WIND LOADS IS REQUIRED, THE MORE DEMANDING FORCE MUST BE USED.
- D. REFERENCE THE STRUCTURAL DRAWINGS FOR SITE SPECIFIC INFORMATION ON SEISMIC DESIGN CATEGORY, WIND SPEEDS, ETC.
- E. USE THE TABLE BELOW TO DETERMINE SEISMIC RESTRAINT REQUIREMENTS FOR EACH COMPONENT.
- F. FOR ALL COMPONENTS REQUIRING SEISMIC RESTRAINT, THE COMPONENT SUPPORTS AND ATTACHMENTS SHALL BE DESIGNED BY A REGISTERED DESIGN PROFESSIONAL REGISTERED IN THE STATE THE JOB IS LOCATED. SUBMITTALS MUST INCLUDE STAMPED AND SIGNED DRAWINGS AND CALCULATIONS.
- G. WHERE SEISMIC RESTRAINT IS REQUIRED, HOUSEKEEPING PADS NEEDED FOR THE INSTALLATION OF EQUIPMENT UNDER THIS CONTRACT MUST BE DESIGNED BY THE SEISMIC ENGINEER. DO NOT POUR ANY HOUSEKEEPING PADS PRIOR TO THE RECEIPT OF THE APPROVED SEISMIC SUBMITTAL.
- H. SEISMIC RESTRAINTS FOR DUCTWORK, PIPING, CONDUIT, CABLE TRAYS AND BUS DUCT MUST BE SHOWN ON LAYOUT DRAWINGS SHOWING SPECIFIC RESTRAINT LOCATIONS ALONG WITH ACCOMPANYING DETAILS AND CALCULATIONS.

ELECTRICAL COMPONENT IMPORTANCE FACTOR (Ip) DESIGNATION

Ip = 1.0	Ip = 1.5
• ALL ASSOCIATED ELECTRICAL WORK UNLESS NOTED OTHERWISE	• EMERGENCY LIGHTS • EXIT LIGHTS • FIRE ALARM

SEISMIC DESIGN CATEGORIES D,E,F

COMPONENT IDENTIFICATION	COMPONENT IMPORTANCE FACTOR (Ip)			
	1.0		1.5	
	SEISMIC RESTRAINT REQUIREMENT	NOTES	SEISMIC RESTRAINT REQUIREMENT	NOTES
ROOF MOUNTED	RESTRAIN ALL	1	RESTRAIN ALL	-
FLOOR MOUNTED	RESTRAIN ALL	1,2	RESTRAIN ALL	-
WALL MOUNTED	RESTRAIN ALL	1,2	RESTRAIN ALL	-
COMPONENT SUPPORTS	RESTRAIN ALL	1	RESTRAIN ALL	-
SUSPENDED EQUIPMENT	RESTRAIN ALL	1	RESTRAIN ALL	-
SINGLE CONDUIT	RESTRAIN IF ≥ 2.5"	3	RESTRAIN IF ≥ 2.5"	3
CABLE TRAY/BUS DUCT TRAPEZED CONDUIT	DO NOT DELETE ON TRAPEZE ≥ 2.5". RESTRAIN IF TOTAL WEIGHT OF SUSPENDED COMPONENT > 10 LBS/FT	3	RESTRAIN IF ANY CONDUIT ON TRAPEZE ≥ 2.5". RESTRAIN IF TOTAL WEIGHT OF SUSPENDED COMPONENT > 10 LBS/FT	3
COMPONENT CERTIFICATION	NOT REQUIRED	-	REQUIRED	5
PENDANT, LAY-IN AND CAN LIGHTS	REQUIRED	4	REQUIRED	4

- NOTES:**
1. EQUIPMENT 20 LBS. OR LESS IS EXEMPT IF THE COMPONENT IS POSITIVELY ATTACHED TO THE STRUCTURE AND FLEXIBLE CONNECTIONS ARE PROVIDED BETWEEN THE COMPONENT AND ASSOCIATED DUCTWORK, PIPING AND CONDUIT.
 2. RESTRAINTS ARE NOT REQUIRED IF THE COMPONENT WEIGHS 400 LBS. OR LESS, IS MOUNTED WITH THE CENTER MASS AT 4' OR LESS ABOVE A FLOOR, IS POSITIVELY ATTACHED TO THE STRUCTURE, AND HAS FLEXIBLE CONNECTIONS BETWEEN THE COMPONENT AND ASSOCIATED DUCTWORK, PIPING AND CONDUIT.
 3. RESTRAINT IS NOT REQUIRED IF THE CONDUIT IS SUPPORTED BY HANGERS AND EACH HANGER IN THE RUN IS 12" IN. OR LESS IN LENGTH FROM THE TOP OF THE PIPE TO THE SUPPORTING STRUCTURE. WHERE PIPES ARE SUPPORTED ON A TRAPEZE, THE TRAPEZE SHALL BE SUPPORTED BY HANGERS HAVING A LENGTH OF 12" IN. OR LESS. WHERE ROD HANGERS ARE USED, THEY SHALL BE EQUIPPED WITH SWIVELS, EYE NUTS OR OTHER DEVICES TO PREVENT BENDING IN THE ROD.
 4. THE RESTRAINT OF PENDANT, LAY-IN AND CAN LIGHTS IS ADDRESSED IN ASTM C636 AND E580.
 5. COMPONENT CERTIFICATION MUST BE SUPPLIED BY THE EQUIPMENT MANUFACTURER AT TIME OF SUBMITTAL FOR REVIEW BY ENGINEER OF RECORD.

GENERAL ELECTRICAL NOTES

1. BRANCH CIRCUIT WIRING FOR 20A CIRCUITS SHALL BE SIZED PER WIRE SIZING CHART. WHERE CONDUIT AND RACEWAY SIZE ARE SHOWN AT HOMERUN, SUCH SIZE SHALL BE USED FOR THE ENTIRE CIRCUIT. EXCEPTION: FINAL CONNECTION TO DEVICES IN OUTLET BOXES IS NOT REQUIRED TO BE LARGER THAN #12.
2. PRIOR TO ROUGH-IN, COORDINATE THE LOCATION AND MOUNTING HEIGHT OF ALL WALL MOUNTED DEVICES WITH THE ARCHITECTURAL INTERIOR ELEVATIONS AND MILLWORK SHOP DRAWINGS. IN THE EVENT OF A CONFLICT, NOTIFY THE ARCHITECT. MINOR ADJUSTMENTS IN DEVICE LOCATION, SUCH AS 5'-0" IN ANY DIRECTION, SHALL BE DONE AT NO ADDITIONAL COST TO THE OWNER. UNDERCABINET LIGHT FIXTURES, RECEPTACLES AND OTHER DEVICES TO BE MOUNTED INSIDE CABINETS SHALL BE REVIEWED WITH THE ARCHITECT PRIOR TO ROUGH IN TO CONFIRM THE EXACT LOCATION OF FIXTURES AND DEVICES. RACEWAYS SHALL BE INSTALLED CONCEALED IN NEW WALL CONSTRUCTION, ABOVE CEILINGS, BELOW FLOOR AND IN OTHER CAVITIES TO THE GREATEST EXTENT POSSIBLE. EXPOSED RACEWAYS MAY BE USED IN UNFINISHED SPACES, WHERE EXPLICITLY NOTED ON PLANS AND WHERE APPROVED BY THE ARCHITECT AND ENGINEER. LAY OUT EXPOSED RACEWAYS TO MINIMIZE THE NUMBER OF VERTICAL RUNS.
3. BRANCH CIRCUIT ROUTING SHALL COMPLY WITH DETAILS ON DRAWINGS AND SHALL BE COORDINATED WITH THE WORK OF OTHER TRADES BEFORE ANY DURING CONSTRUCTION.
4. A FIRESTOP SYSTEM SHALL BE USED TO SEAL ALL PENETRATIONS OF ELECTRICAL CONDUITS AND CABLES THROUGH FIRE-RATED PARTITIONS. THE FIRESTOP SYSTEM SHALL CONSIST OF A FIRE-RATED CAULK TYPE SUBSTANCE AND HIGH TEMPERATURE FIBER INSULATION BY STI OR APPROVED EQUAL. ONLY METAL CONDUIT SHALL BE USED TO PENETRATE FIRE-RATED PARTITIONS. SEE ARCHITECTURAL DRAWINGS FOR ALL LOCATIONS OF FIRE-RATED WALLS.
5. THE USE OF MC CABLE IS ALLOWED ABOVE ACCESSIBLE CEILINGS AND IN STUD CONSTRUCTION ONLY. HOMERUNS TO PANEL SHALL BE WIRE IN RACEWAY ONLY. MC CABLE IS NOT ACCEPTABLE FOR HOMERUNS. MC CABLE IS ONLY ACCEPTABLE FOR 20A BRANCH CIRCUITS.
6. PROVIDE A LISTED EXPANSION/DEFLECTION FITTING FOR ALL CONDUIT CROSSING EXPANSION JOINTS PER NEC 300.4.H. SEE ARCHITECTURAL DRAWINGS FOR LOCATIONS OF EXPANSION JOINTS.
7. WHEREVER THE WORD "PROVIDE" IS USED ON THE ELECTRICAL DRAWINGS, IT SHALL BE INFERRED TO MEAN "FURNISH AND INSTALL", UNLESS NOTED OTHERWISE.
8. OUTLET BOXES SHALL BE STANDARD DEPTH (1-1/2" MINIMUM), UNLESS NOTED OTHERWISE. THE ARRANGEMENT, GROUPING, AND ROUTING OF BRANCH CIRCUITS SHALL BE PROVIDED AT THE CONTRACTOR'S DISCRETION IN ACCORDANCE WITH GENERALLY ACCEPTED PRACTICE FOR ELECTRICAL WORK, THE NATIONAL ELECTRICAL CODE REQUIREMENTS, LOCAL ORDINANCES, AND THE FOLLOWING: 1 - A COMMON NEUTRAL MAY BE INSTALLED IN A HOMERUN FOR 2 OR 3 BRANCH CIRCUITS ONLY IF A MEANS TO SIMULTANEOUSLY DISCONNECT ALL UNGROUNDED CONDUCTORS AT THE POINT OF ORIGIN IS PROVIDED PER NEC 210.4.B. 2 - MULTIPLE SINGLE-POLE BRANCH CIRCUITS (UP TO 3 HOTS, 3 NEUTRALS AND 1 GROUND) RATED FOR 30A OR LESS MAY BE PULLED INTO A SINGLE RACEWAY. THE CONTRACTOR SHALL BE RESPONSIBLE FOR SIZING THE RACEWAYS AND DE-RATING CONDUCTORS PER NEC 310.15. 3 - A GROUND CONDUCTOR SHALL BE PROVIDED IN ALL RACEWAYS UNLESS NOTED OTHERWISE.
9. REFER TO THE ARCHITECTURAL DRAWINGS FOR PROJECT PHASING.

GENERAL LIGHTING NOTES

1. SEE ARCHITECTURAL REFLECTED CEILING PLAN FOR THE EXACT LOCATION OF ALL CEILING MOUNTED LIGHTING FIXTURES. REFER TO ARCHITECTURAL DRAWINGS FOR MOUNTING DETAILS OF LIGHT FIXTURE TO ACOUSTICAL CEILING SYSTEM AND STRUCTURE.
2. LIGHTING FIXTURE CATALOG NUMBERS ARE INDICATIVE OF THE STYLE OF FIXTURE REQUIRED. CONTRACTOR SHALL PROVIDE FIXTURES WITH THE PROPER TRIM, VOLTAGE AND OPTIONS NECESSARY FOR INSTALLATION.

GENERAL DEMOLITION NOTES

1. ALL ELECTRICAL EQUIPMENT TO BE REMOVED SHALL REMAIN THE PROPERTY OF THE OWNER. THE CONTRACTOR SHALL NOT DISPOSE OF ANY MATERIALS UNTIL RELEASED BY THE OWNER'S PROJECT MANAGER. MATERIALS THAT THE OWNER'S PROJECT MANAGER CHOOSES TO RETAIN SHALL BE DELIVERED BY THE CONTRACTOR TO A LOCATION DESIGNATED BY THE PROJECT MANAGER. ALL OTHER MATERIALS SHALL BE PROPERLY DISPOSED OF BY THE CONTRACTOR.

GENERAL EXISTING CONDITION NOTES

1. AREAS OF WORK EXIST FOR THIS PROJECT WHICH WERE NOT ACCESSIBLE OR HAD LIMITED ACCESS DURING DESIGN. AS SUCH, CONTRACTOR SHALL VERIFY ALL UTILITIES IN AREA OF WORK BEFORE DEMOLITION OF ANY SERVICE. ANY ELECTRICAL COMPONENTS NOT SHOWN SHALL BE IDENTIFIED AND THE ARCHITECT AND ENGINEER SHALL BE NOTIFIED AS SOON AS POSSIBLE. NO ELECTRICAL REWORK SHALL BE COMMENCED WITHOUT COORDINATION OF BOTH ARCHITECT AND ENGINEER. WHERE INFORMATION SHOWN ON THESE DRAWINGS CONFLICTS WITH VERIFIED FIELD CONDITIONS, IT SHALL BE BROUGHT TO THE ATTENTION OF THE ARCHITECT AND ENGINEER.
2. IN AREAS WHERE THE EXISTING CEILINGS ARE NOT SLATED TO BE REPLACED, THE CONTRACTOR SHALL WORK THROUGH THE EXISTING CEILINGS (SEE ARCHITECTURAL REFLECTED CEILING PLAN FOR AREA OF WORK). THE CONTRACTOR SHALL BE RESPONSIBLE FOR REPLACING ANY DAMAGED TILE OR GRID THAT IS A RESULT OF THEIR WORK. ALL WORK PERFORMED ABOVE EXISTING CEILINGS SHALL BE PERFORMED AFTER HOURS AND SCHEDULED WITH THE OWNER IN ADVANCE.
3. THE CONTRACTOR SHALL BE RESPONSIBLE FOR INSTALLING A FIRESTOP SYSTEM IN ALL PENETRATIONS OF FIRE-RATED FLOORS AND WALLS CREATED BY THE REMOVAL OF EXISTING ELECTRICAL CONDUIT OR CABLES, AS WELL AS THOSE CREATED BY NEWLY INSTALLED CONDUITS AND SLEEVES.

LIGHTING SYMBOL LEGEND

SYMBOL	DESCRIPTION	SYMBOL	DESCRIPTION
☐	LIGHT FIXTURE (TYPICAL ALL DIMENSIONS)	⚡	LIGHT SWITCH, SINGLE POLE
○	LIGHT FIXTURE (TYPICAL ALL DIMENSIONS)	⚡ ^x	LIGHT SWITCH, "X" INDICATES SWITCH TYPE
Ⓞ	OCCUPANCY SENSOR (WALL MOUNTED)	Ⓞ	OCCUPANCY SENSOR (CEILING MOUNTED)

POWER AND TELECOMMUNICATIONS SYMBOL LEGEND

SYMBOL	DESCRIPTION	SYMBOL	DESCRIPTION
ⓧ	DUPLEX RECEPTACLE "X" INDICATES RECEPTACLE TYPE	▼	COMMUNICATION OUTLET
ⓧ ^x	GFCI DUPLEX RECEPTACLE "X" INDICATES RECEPTACLE TYPE	■	PANELBOARD - FLUSH MOUNTED

WIRE SIZING CHART 20 AMP BRANCH CIRCUITS

DISTANCE, 120V	MINIMUM WIRE SIZE
0 - 90 FEET	#12 AWG
90 - 230 FEET	#10 AWG
230 - 446 FEET	#8 AWG

LINE LEGEND

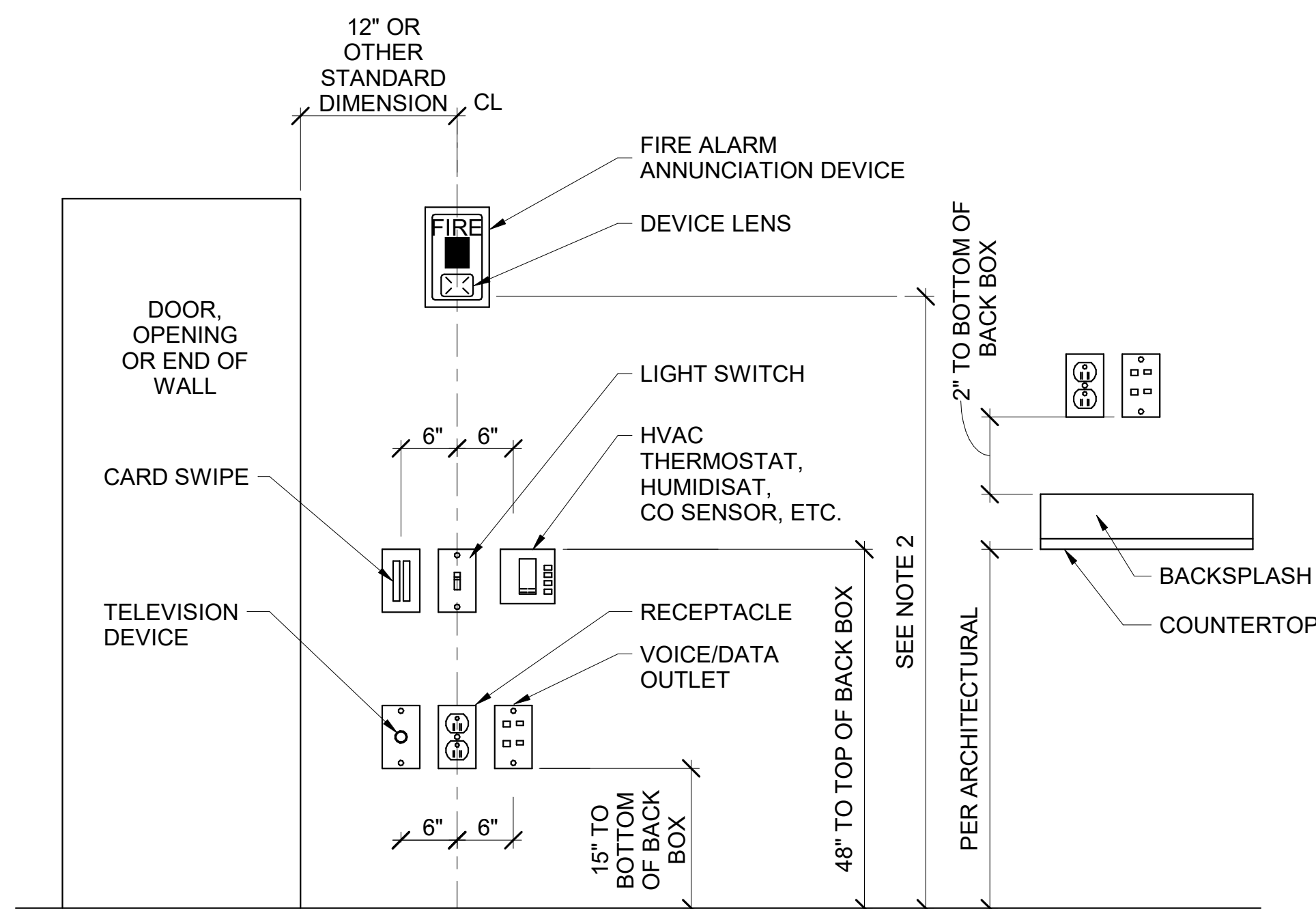
SYMBOL	DESCRIPTION
—	EXISTING TO REMAIN
—	NEW CONSTRUCTION
----	DEMOLISH

ELECTRICAL ABBREVIATIONS

ABBR	DESCRIPTION
(E)	EXISTING
AFC	ABOVE FINISHED CEILING
AFF	ABOVE FINISHED FLOOR
AFG	ABOVE FINISHED GRADE
BFC	BELOW FINISHED CEILING
BFG	BELOW FINISHED GRADE
BOD	BOTTOM OF DEVICE
CBB	COMMUNICATIONS BACKBOARD
cd	CANDELA
CLG	CEILING
EF	EXHAUST FAN
GFCI	GROUND-FAULT CIRCUIT-INTERRUPTING
GFI	GROUND-FAULT INTERRUPTING
GP	GENERAL PURPOSE
J-BOX	JUNCTION BOX
KW	KILOWATTS
NEC	NATIONAL ELECTRICAL CODE
NFDS	NON-FUSED DISCONNECT SWITCH
OC	ON CENTER
UNO	UNLESS NOTED OTHERWISE
W/	WITH
WP	WEATHERPROOF
LIGHT SWITCH	DESCRIPTION
OS	OCCUPANCY SENSOR
RECEPTACLE	DESCRIPTION
C	MOUNT ABOVE COUNTER

ELECTRICAL CODES AND STANDARDS (WITH ALL SOUTH CAROLINA MODIFICATIONS)

CODE	DESCRIPTION
IBC (2018)	INTERNATIONAL BUILDING CODE
IECC (2009)	INTERNATIONAL ENERGY CONSERVATION CODE
IFC (2018)	INTERNATIONAL FIRE CODE
NFPA 70 (2017)	NATIONAL ELECTRICAL CODE
NFPA 72 (2016)	NATIONAL FIRE ALARM AND SIGNALING CODE
NFPA 101 (2018)	LIFE SAFETY CODE

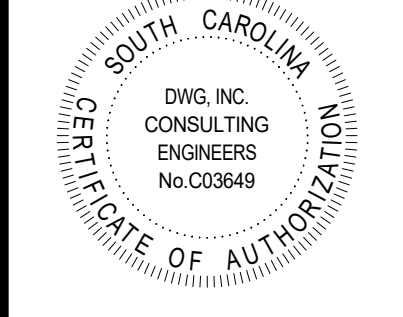


- NOTE 1:** DEVICES SHOWN WITHIN 48" OF EACH OTHER ON ALL ELECTRICAL PLANS SHALL BE ALIGNED PER THIS DETAIL. IF DEVICES ARE SHOWN IN MIDDLE OF WALL, THEN CENTER DEVICES ON WALL.
- NOTE 2:** MOUNT 80" ABOVE FINISHED FLOOR WHERE POSSIBLE. WHERE CEILING HEIGHTS DO NOT ALLOW THIS HEIGHT, MOUNT 6" BELOW CEILING. WHERE OBSTRUCTIONS DO NOT ALLOW THIS HEIGHT, MOUNT 80" TO 96" ABOVE FINISHED FLOOR. ALL MOUNTING HEIGHTS FOR NOTIFICATION DEVICES SHALL BE MEASURED TO THE BOTTOM OF THE LENS.

1 DEVICE ALIGNMENT DETAIL
E001 NOT TO SCALE



REV. NO.	DATE	DESCRIPTION



COLLETON COUNTY MAGISTRATE BUILDING
 COLLETON COUNTY
 40 KLEIN STREET
 WALTERBORO, SC 29488

COPYRIGHT © 2020
 GLICK/BOEHM & ASSOCIATES, INC.
 JOB NUMBER: 20088
 PROJECT MGR.:
 DRAWN BY: BMP
 CHECKED BY: ACN
 APPROVED BY: ACN
 DATE ISSUED FOR: 07/29/2020
 CONSTRUCTION DOCUMENTS

ELECTRICAL NOTES & LEGENDS

E001

LIGHT FIXTURE SCHEDULE												
FIXTURE SPECIFICATIONS				LAMPING			ELECTRICAL					
TYPE	FIXTURE DESCRIPTION	MANUFACTURER A	CAT. #	MANUFACTURER B	MANUFACTURER C	LAMP TYPE	TOTAL LUMENS	COLOR TEMP.	LOAD	VOLTS	MOUNTING REMARKS	NOTES
BE	2X4 TROFFER (EMERGENCY)	LSI	GA24-LED-SS-WW-UE-EM	COLUMBIA	SIGNIFY	LED	5160	3500 K	45	120 V	RECESSED	
D	6" DOWNLIGHT	LSI	LCD6-LED-25L-UNV-DIM1-35-FL-TR6R-SFHAZ	PRESCOLITE	SIGNIFY	LED	2492	3500 K	22	120 V	RECESSED	
DE	6" DOWNLIGHT (EMERGENCY)	LSI	LCD6-LED-25L-UNV-DIM1-35-FL-TR6R-SFHAZ-EM	PRESCOLITE	SIGNIFY	LED	2494	3500 K	22	120 V	RECESSED	

LIGHT FIXTURE PLAN KEY

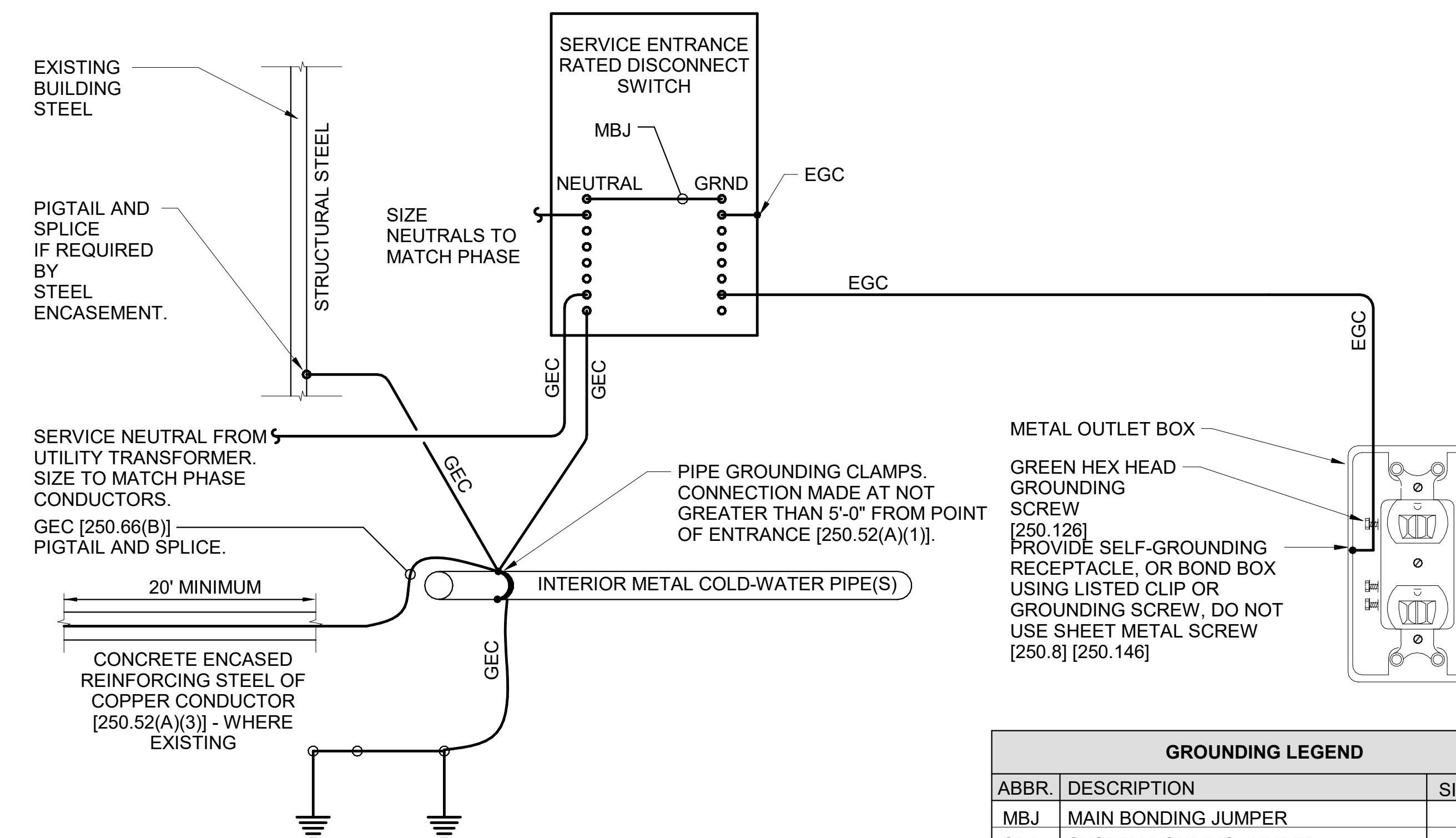
SHADING INDICATES EMERGENCY FIXTURE SUPPLIED WITH EMERGENCY BATTERY BACK UP.

A1 d A1 = UPPERCASE LETTER / NUMBER INDICATE FIXTURE TYPE
 d = LOWERCASE LETTER INDICATES SWITCH IDENTIFICATION
 NL NL = INDICATES NON-SWITCHED "NIGHT LIGHT"
 A:2 A:2 = DESIGNATES PANEL NAME, CIRCUIT NUMBER

ALL EMERGENCY FIXTURES INDICATED ON PLAN CONTAIN EMERGENCY BATTERY BACKUP. ALL EMERGENCY BACKUP FIXTURES REQUIRE AN EXTRA CONSTANT POWER CONDUCTOR TO BE CONNECTED TO THE EMERGENCY BACKUP OF CHARGING. THIS CONDUCTOR MUST NOT BE CONTROLLED BY ANY LIGHTING SYSTEM OR HAVE POWER INTERRUPTED AT ANY TIME.

EQUIPMENT CONNECTION SCHEDULE						
UNIT I.D.	VOLTS	# OF POLES	LOAD (VA)	BRANCH CIRCUIT WIRING	DISCONNECT / STARTER	NOTES
FANS						
EF-1	120 V	1	13	(2) #12, #12G IN 3/4" C	TOGGLE SWITCH	1

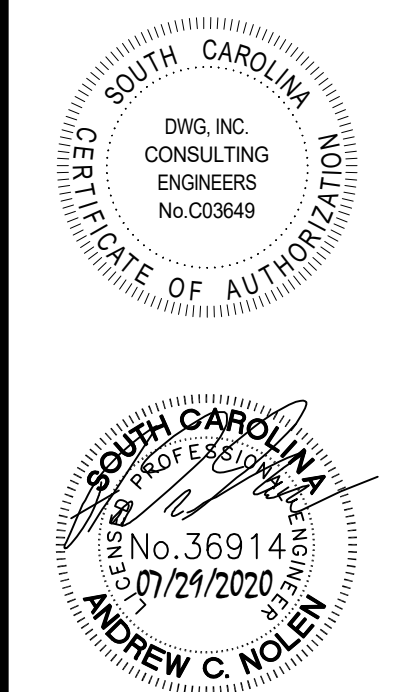
- EQUIPMENT CONNECTION SCHEDULE NOTES:**
- FAN SHALL BE CONTROLLED BY LIGHT SWITCH IN RESTROOM.



- GROUNDING NOTES:**
- NUMBERS IN BRACKETS REFER TO SPECIFIC SECTIONS OF THE NATIONAL ELECTRICAL CODE.
 - ALL UNDERGROUND OR OTHERWISE INACCESSIBLE GROUND CONNECTIONS AND SPLICES SHALL BE EXOTHERMICALLY WELDED [250.68].
 - GROUND ELECTRODE FOR SEPARATELY DERIVED SYSTEMS SHALL BE THE NEAREST METAL WATER PIPE OR STRUCTURAL METAL. IF EITHER IS NOT AVAILABLE, PROVIDE GROUNDING CONDUCTOR BACK TO MAIN GROUND BUS AT SERVICE ENTRANCE.
 - PROVIDE A GROUND WIRE IN ALL CONDUITS.
 - EARTH SHALL NOT BE USED AS THE SOLE GROUND RETURN PATH FOR ANY EQUIPMENT POWERED UNDER THIS PROJECT. OTHERWISE OVERCURRENT PROTECTION MIGHT NOT WORK, OR IT MIGHT CAUSE POWER QUALITY PROBLEMS.
 - NO ALUMINUM SHALL BE USED FOR GROUNDING WORK WITHOUT THE SPECIFIC WRITTEN PERMISSION OF THE ENGINEER. EXCEPTION: ALUMINUM BUILDING STRUCTURAL MATERIALS SHALL BE BONDED WITH LISTED ALUMINUM EQUIPMENT WITH ALUMINUM TO COPPER CONNECTORS FOR ROUTING COPPER EGC'S.
 - PROVIDE GROUNDING BUSHING ON BOTH ENDS OF ALL SERVICE ENTRANCE RACEWAYS. SIZE AS A GEC [250.80]. THIS INCLUDES RIGID STEEL ELBOWS ON PVC CONDUIT.
 - ALL METAL ENCLOSURES AND RACEWAYS SHALL BE BONDED TO GROUND [250.86]. FOR CIRCUITS OVER 250V PROVIDE BOND PER [250.97]. STANDARD LOCKNUTS ARE NOT ACCEPTABLE.
 - PROVIDE EGC CONNECTED TO ANY JUNCTION BOX WHERE SPLICE IS MADE [250.148].
 - PROVIDE BOND TO EXPOSED METAL ON ALL MOTORS, PUMPS, AND LIGHTING FIXTURES PER [250.112].

2 GROUNDING DETAIL
 E002 NOT TO SCALE

REV. NO.	DATE	DESCRIPTION

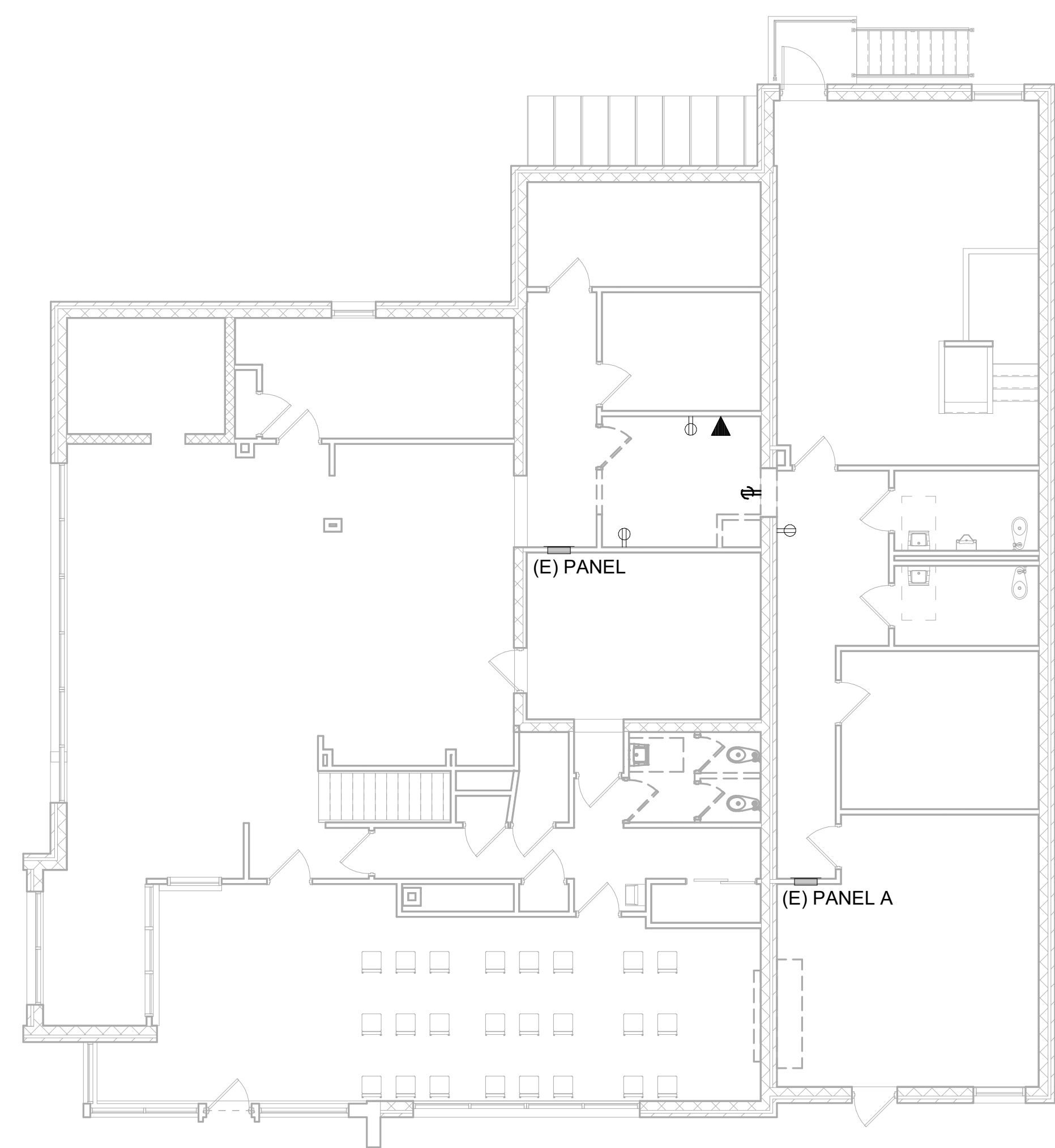


COLLETON COUNTY MAGISTRATE BUILDING
 COLLETON COUNTY
 40 KLEIN STREET
 WALTERBORO, SC 29488

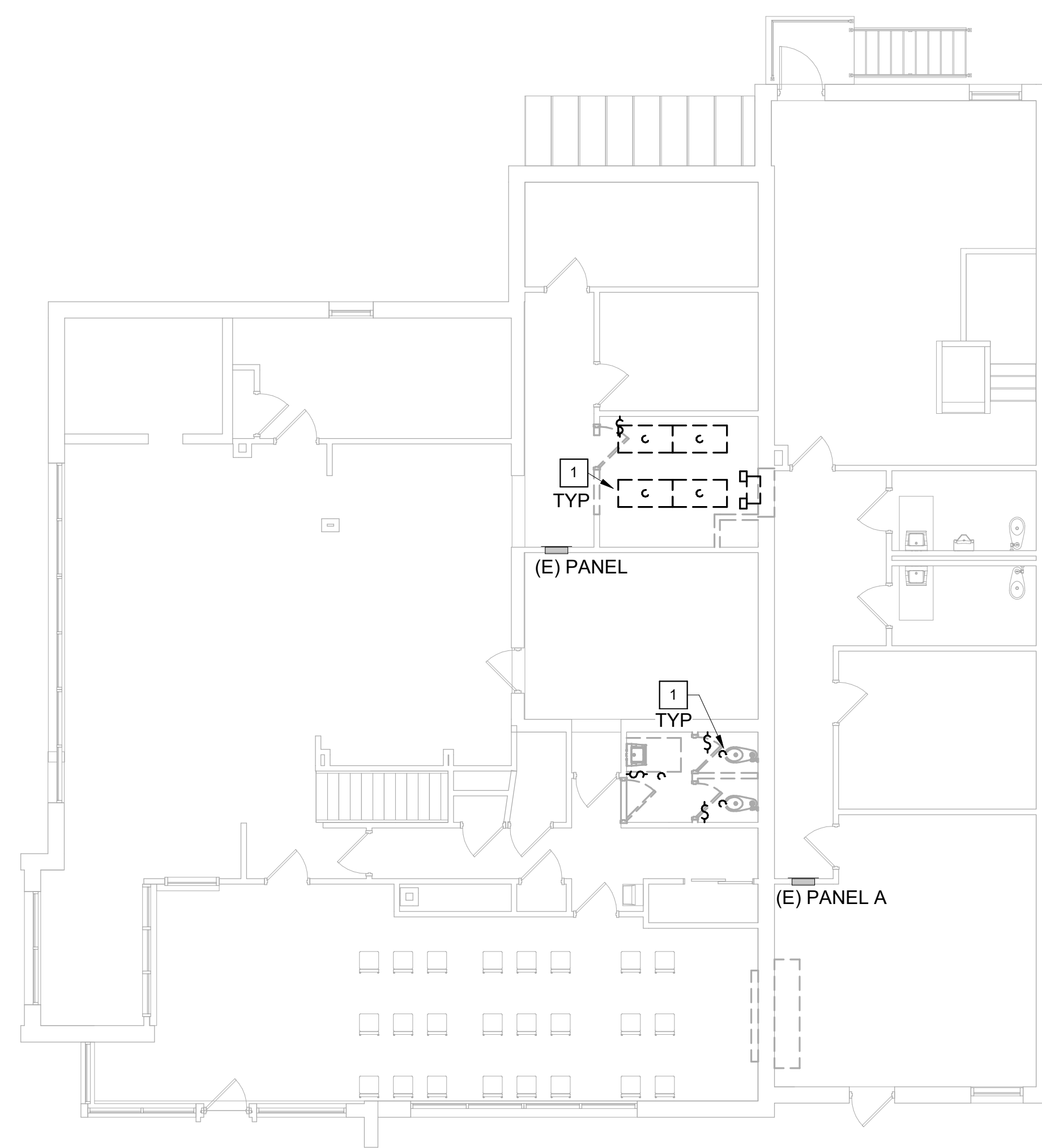
COPYRIGHT © 2020
 GLICK/BOEHM & ASSOCIATES, INC.
 JOB NUMBER: 20088
 PROJECT MGR.:
 DRAWN BY: BMP
 CHECKED BY: ACN
 APPROVED BY: ACN
 DATE ISSUED FOR CONSTRUCTION DOCUMENTS: 07/29/2020

ELECTRICAL SCHEDULES & DETAILS

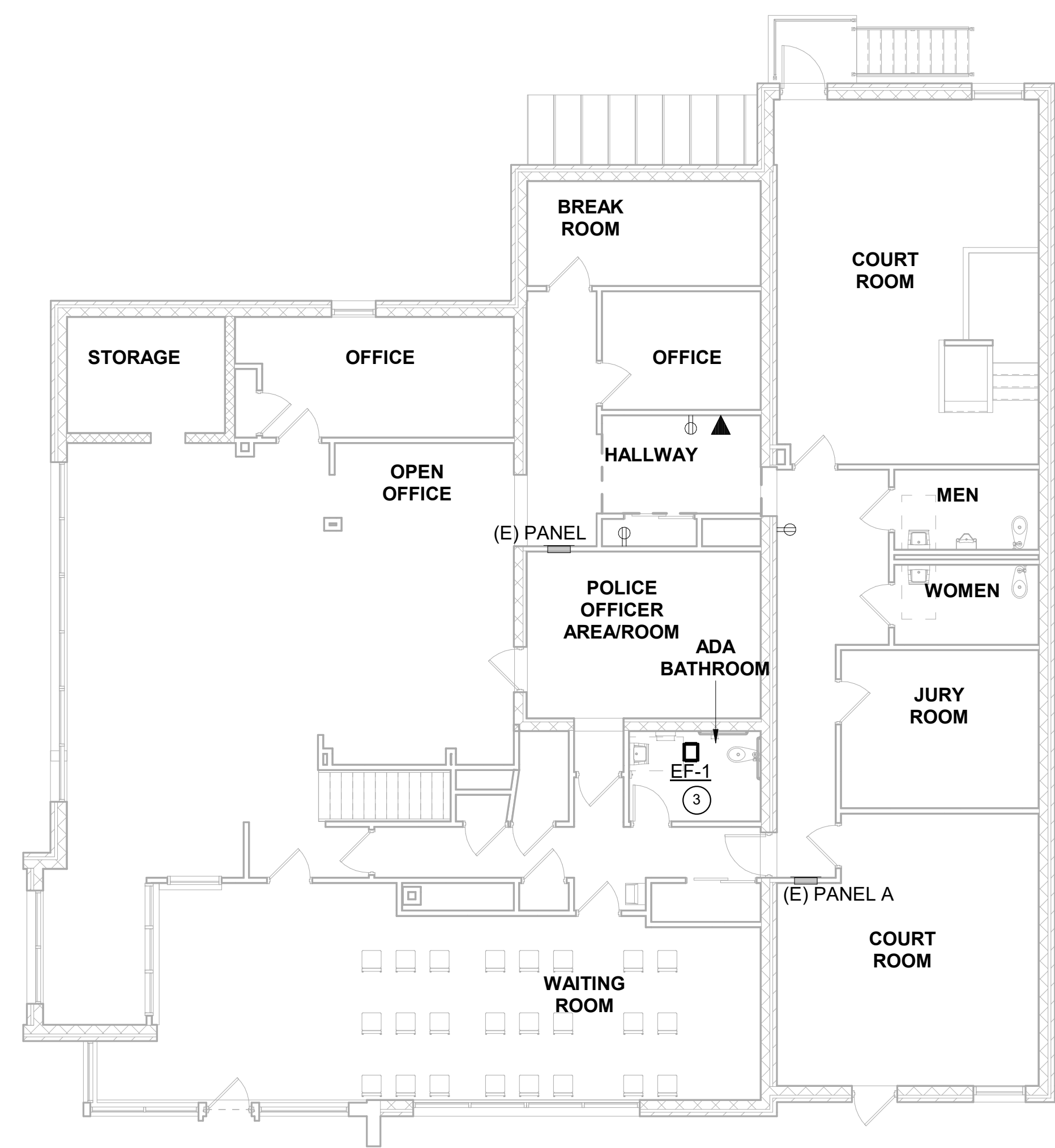
E002



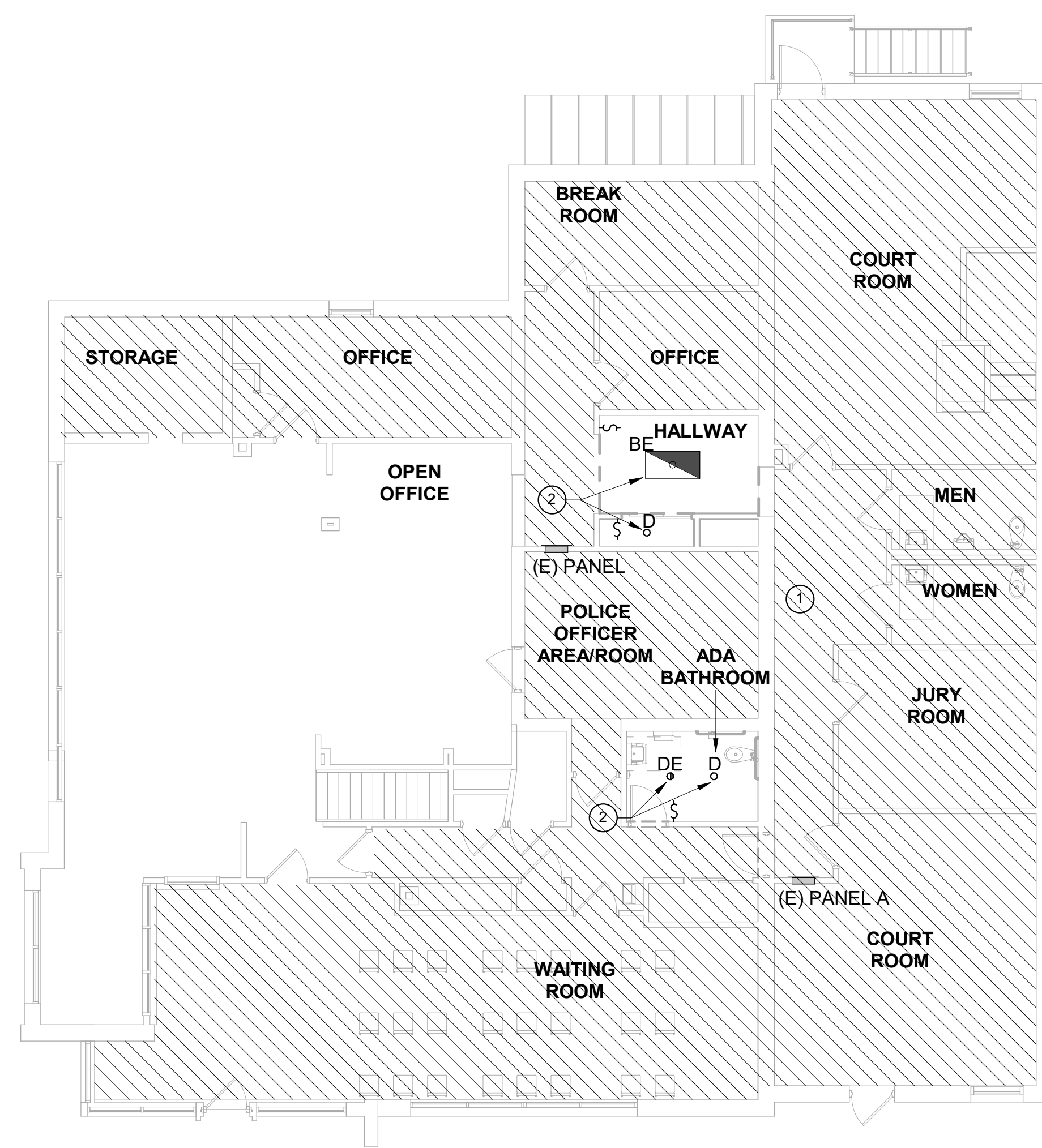
1 FIRST FLOOR POWER & TELECOMMUNICATIONS DEMOLITION PLAN
E101 SCALE: 1/8" = 1'-0"



3 FIRST FLOOR LIGHTING DEMOLITION PLAN
E101 SCALE: 1/8" = 1'-0"



2 FIRST FLOOR POWER & TELECOM RENOVATION PLAN
E101 SCALE: 1/8" = 1'-0"



4 FIRST FLOOR LIGHTING RENOVATION PLAN
E101 SCALE: 1/8" = 1'-0"

KEYNOTES

DEMOLITION:

- 1 DEMOLISH LIGHT FIXTURE. LIGHTING CIRCUIT TO REMAIN FOR REUSE DURING RENOVATION.

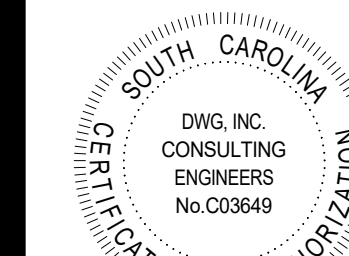
RENOVATION:

- 1 IN HATCHED REGION, CONTRACTOR TO FIELD VERIFY QUANTITY (2,3 OR 4) AND TYPE (T12, T8, OR T5) OF EXISTING FLUORESCENT LAMPS CONTAINED IN (43) 2X4 AND (8) 2X2 EXISTING LIGHT FIXTURES. CONTRACTOR TO PROVIDE LED TUBE REPLACEMENT THAT IS COMPATIBLE WITH EXISTING FIXTURE BALLAST AND WITH A COLOR TEMPERATURE THAT MATCHES EXISTING LED REPLACEMENT TUBES IN ADJACENT SPACES. NOTE THAT IF FIXTURE BALLASTS ARE NOT COMPATIBLE WITH LED REPLACEMENT TUBES; FIXTURES WILL REQUIRE BALLAST REMOVAL, REWIRING, AND NEW SOCKETS INSTALLED TO UTILIZE NON-BALLAST TYPE LED TUBES.
- 2 CONNECT NEW LIGHT FIXTURES TO EXISTING LIGHTING CIRCUIT.
- 3 POWER EXHAUST FAN FROM EXISTING LIGHTING CIRCUIT FEEDING RESTROOM.

GENERAL NOTES



REV. NO.	DATE	DESCRIPTION



COLLETON COUNTY MAGISTRATE BUILDING
COLLETON COUNTY
40 KLEIN STREET
WALTERBORO, SC 29488

COPYRIGHT © 2020
GLICK/BOEHM & ASSOCIATES, INC.
JOB NUMBER: 20088
PROJECT MGR.:
DRAWN BY: BMP
CHECKED BY: ACN
APPROVED BY: ACN
DATE ISSUED FOR CONSTRUCTION DOCUMENTS: 07/29/2020
ELECTRICAL PLANS

